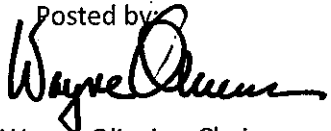




MEETING NOTICE
HISTORICAL COMMISSION
Fairhaven Town Hall
40 Center Street Fairhaven, MA 02719

FAIRHAVEN TOWN CLERK
RCUD 2023 OCT 11 AM 9:17

DATE AND TIME: Tuesday - October 17, 2023 6:00 pm Town Hall Front Steps

Posted by:

Wayne Oliveira- Chairman

AGENDA

This meeting is being taped by Fairhaven Cable Access MGL, Ch. 30a, s20 (requires anyone else that intends to record any portions of a public meeting, either by audio or video, or both, to notify the Chair at the beginning of the meeting.

Members of the Fairhaven Historical Commission will be in attendance for the Official Lighting Ceremony of the Historic Street Lamp Project.

No other business will be conducted at this meeting.

Next meeting: To be determined

Subject matter listed in the agenda consists of those items that are reasonable anticipated (by the Chair) to be discussed. Not all items listed may be discussed and other items not listed (such as urgent business not available at the time of posting) may also be brought up for discussion in accordance with applicable law.



Fairhaven Historical Commission

40 Center Street
Fairhaven, MA 02719

Wayne Oliveira
Chairman

October 7, 2023

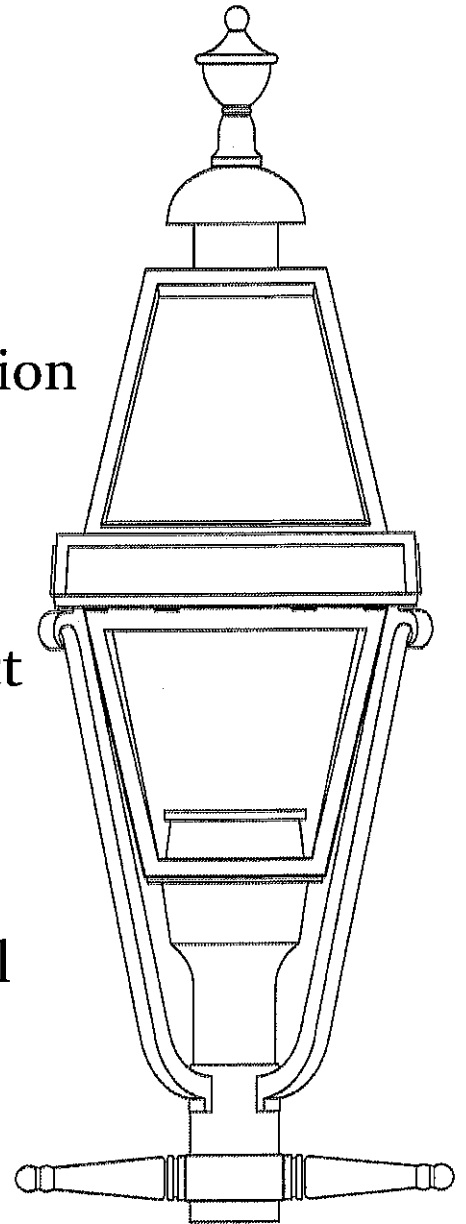
All Town Departments, Boards & Committees.

The Fairhaven Historical Commission
cordially invites you to attend
The Official Lighting Ceremony
for the Historic Street Lamp Project
Tuesday - October 17, 2023

6 pm.

Front steps of Fairhaven Town Hall

All are welcome to attend



Sincerely,

Wayne Oliveira
Chairman