

PROPOSED AUTO DEALERSHIP

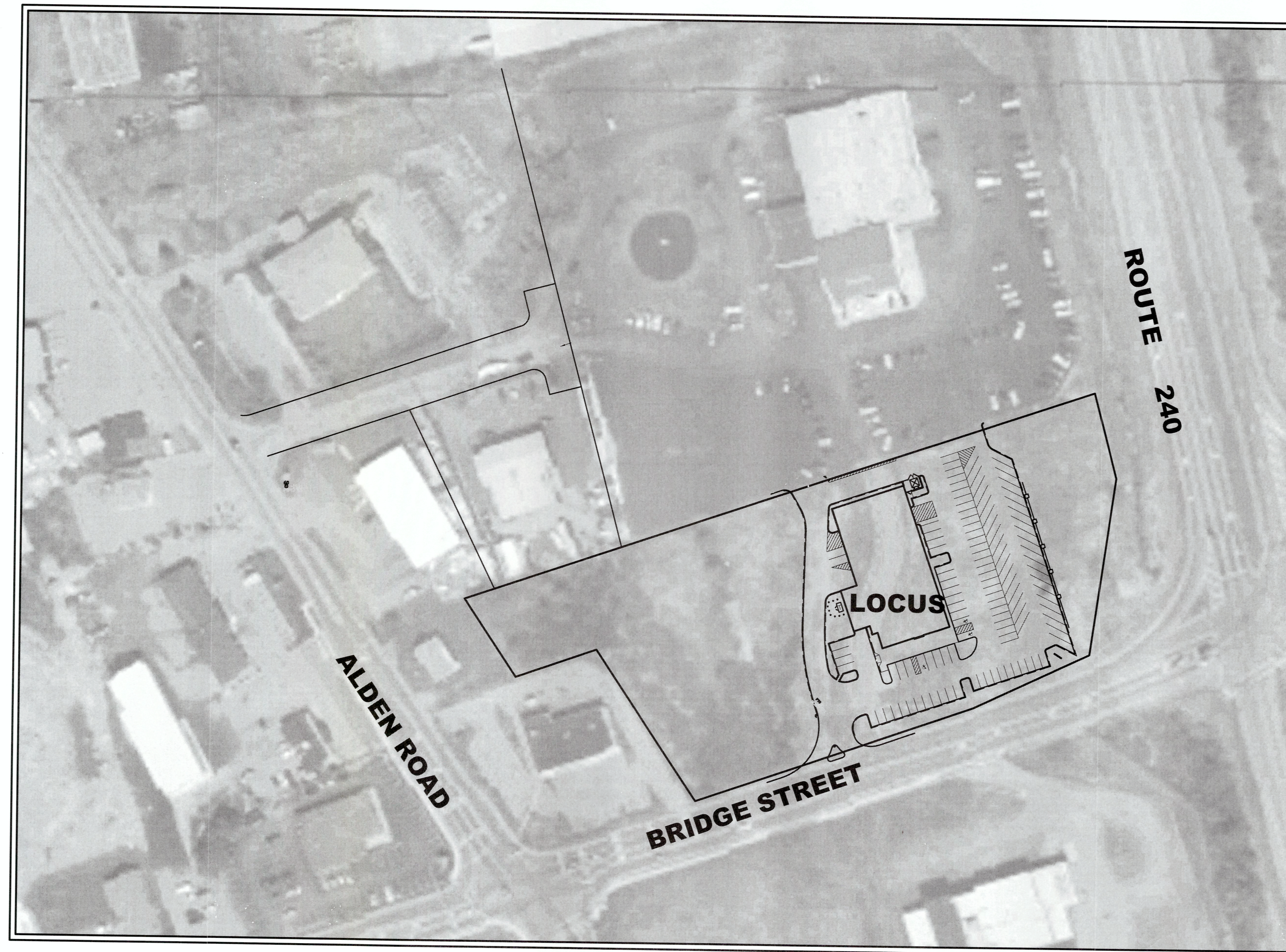
250 BRIDGE STREET

FAIRHAVEN, MASSACHUSETTS

SCHEDULE OF DRAWINGS

SHEET NUMBER	PLAN TITLE
1.	TITLE SHEET
2.	EXISTING CONDITIONS
3.	EROSION CONTROL PLAN
4.	SITE LAYOUT PLAN
5.	GRADING AND DRAINAGE PLAN
6.	UTILITIES PLAN
7.	LIGHTING PLAN
8.	LANDSCAPING PLAN
9.	CONSTRUCTED WETLAND PLAN
10.	SITE DETAILS
11.	VEHICLE MOVEMENT PLAN
12.	EXIT DRIVE EASEMENT PLAN

- ALL SITE DEVELOPMENTS, INCLUDING GRADING, DRAINAGE AND LANDSCAPING, SHALL BE CARRIED OUT IN ACCORDANCE WITH THIS PLAN SET MARKED "EXHIBIT A".
- THE FOLLOWING PLANNING BOARD WAIVERS ON STORMWATER MANAGEMENT REGULATION ARE BEING REQUESTED:
 - SECTION-198-31.1.A(1)(a)(2), TO ALLOW THE INCREASE IN VOLUME OF RUNOFF DUE TO THE D SOIL AND NEAR SURFACE GROUND WATER.
 - SECTION-198-31.1.C(2)(g)(6), TO ALLOW THE SIDE SLOPES OF THE DETENTION BASIN TO BE 2:1 TO MINIMIZE IMPACTS TO WETLANDS AND INCREASE THE AMOUNT OF STORMWATER QUALITY TREATMENT.

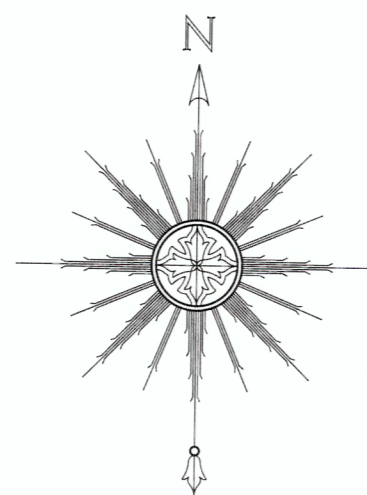


OWNER, DEVELOPER, & APPLICANT:

CARAPACE, LLC
2 STAR OF THE SEA DRIVE
DARTMOUTH, MA 02748

DEVELOPMENT TEAM

FUNCTION	TEAM MEMBER
DEVELOPER	CARAPACE, LLC
ENGINEER / AGENT	PRIME ENGINEERING, INC.



NEIGHBORHOOD LOCUS PLAN
SCALE: 1"=80'

APRIL 27, 2015
REVISED MARCH 10 2020

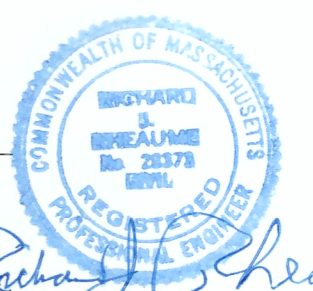
SITE LOCUS IS REFERENCED AS FAIRHAVEN ASSESSOR'S
MAP 38 LOT 15

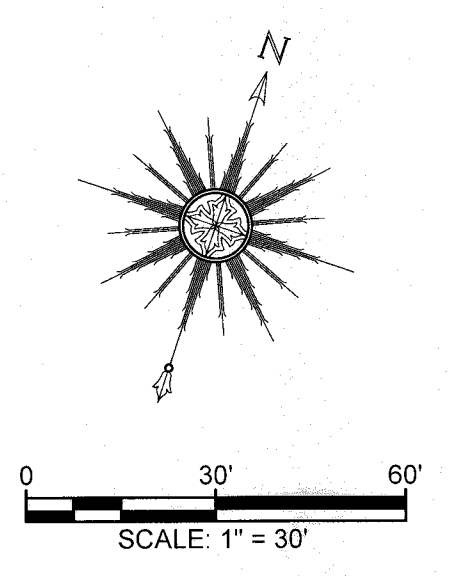
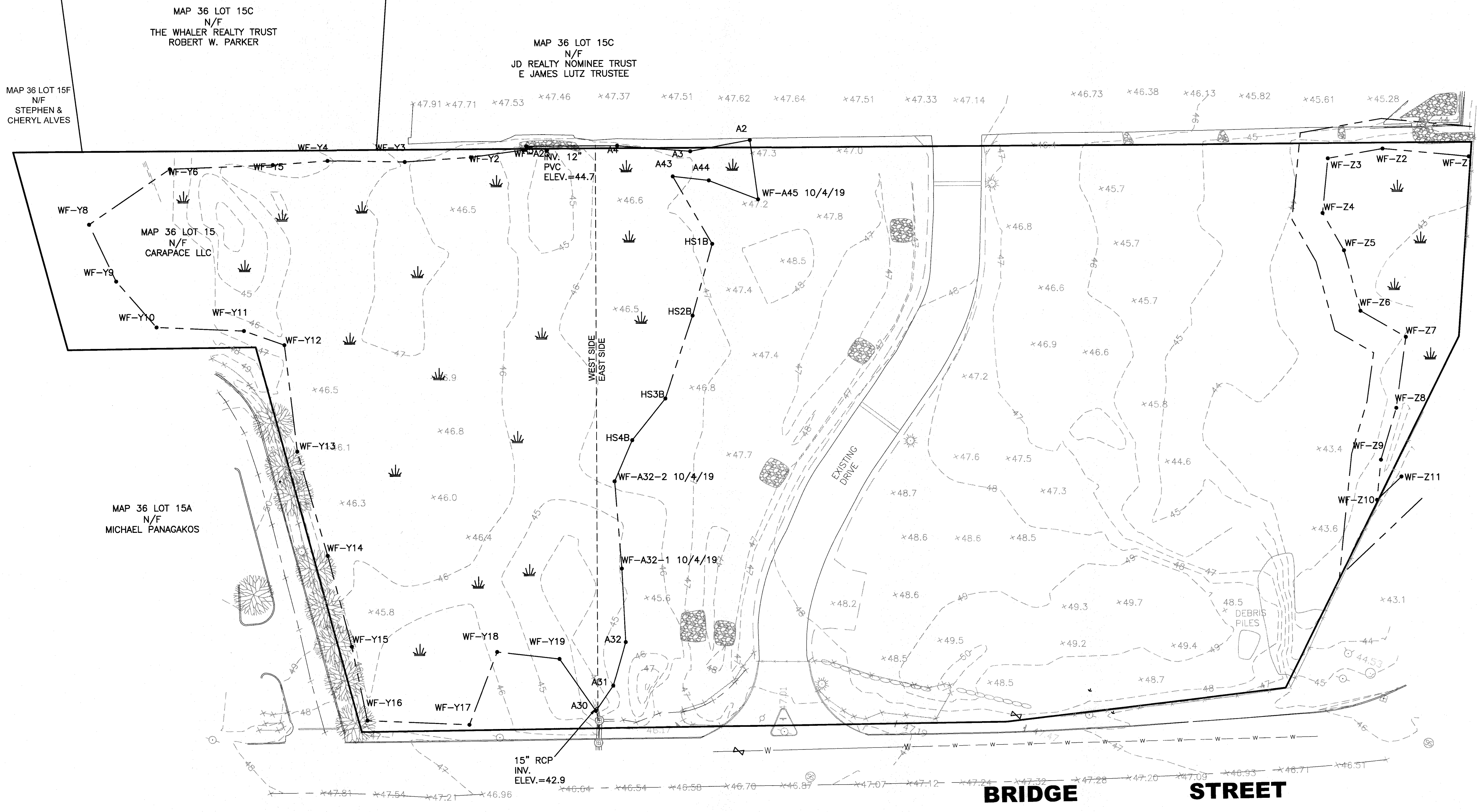
THE DEED IS RECORDED IN THE BRISTOL COUNTY REGISTRY
OF DEED BOOK 6358 PAGE 325

PREPARED BY:


PRIME ENGINEERING
INC.

CIVIL ENGINEERING—LAND SURVEYING—ENVIRONMENTAL ASSESSMENT
P.O. BOX 1088, 350 BEDFORD STREET, LAKEVILLE, MA 02347
TEL: 508.947.0050 FAX: 508.947.2004





REV	DATE	DESCRIPTION	BY	APP.
16	03-10-20	GENERAL REVISIONS	JAG	RJR
15	03-6-20	REVISED PLANTING SCHEDULE	SWL	RJR
14	02-28-20	GENERAL REVISIONS	JAG	RJR
13	02-14-20	GENERAL REVISIONS	JAG	RJR
12	01-22-20	GENERAL REVISIONS	JAG	RJR
11	01-10-20	ADDED EXISTING CATCH BASIN DETAIL	SWL	RJR
10	01-01-20	GENERAL REVISIONS	JAG	RJR
9	12-3-19	GENERAL REVISIONS	JAG	RJR
8	10-31-19	GENERAL REVISIONS	JAG	RJR
7	10-8-19	NEW WETLAND LINE GENERAL REVISIONS	JAG	RJR
6	7-16-19	NEW BUILDING FOOTPRINT/SITE LAYOUT	JAG	RJR
5	5-24-19	NEW BUILDING FOOTPRINT/SITE LAYOUT	JAG	RJR
4	4-26-19	NEW BUILDING FOOTPRINT/SITE LAYOUT	JAG	RJR
3	9-4-18	GENERAL REVISIONS	TRW	RJR
2	8-25-18	REVISIONS FOR PLANNING BOARD	EKW	RJR
1	7-10-18	GENERAL REVISIONS	EKW	RJR

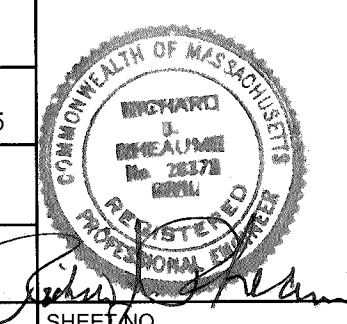
DRAWING TITLE
EXISTING CONDITIONS

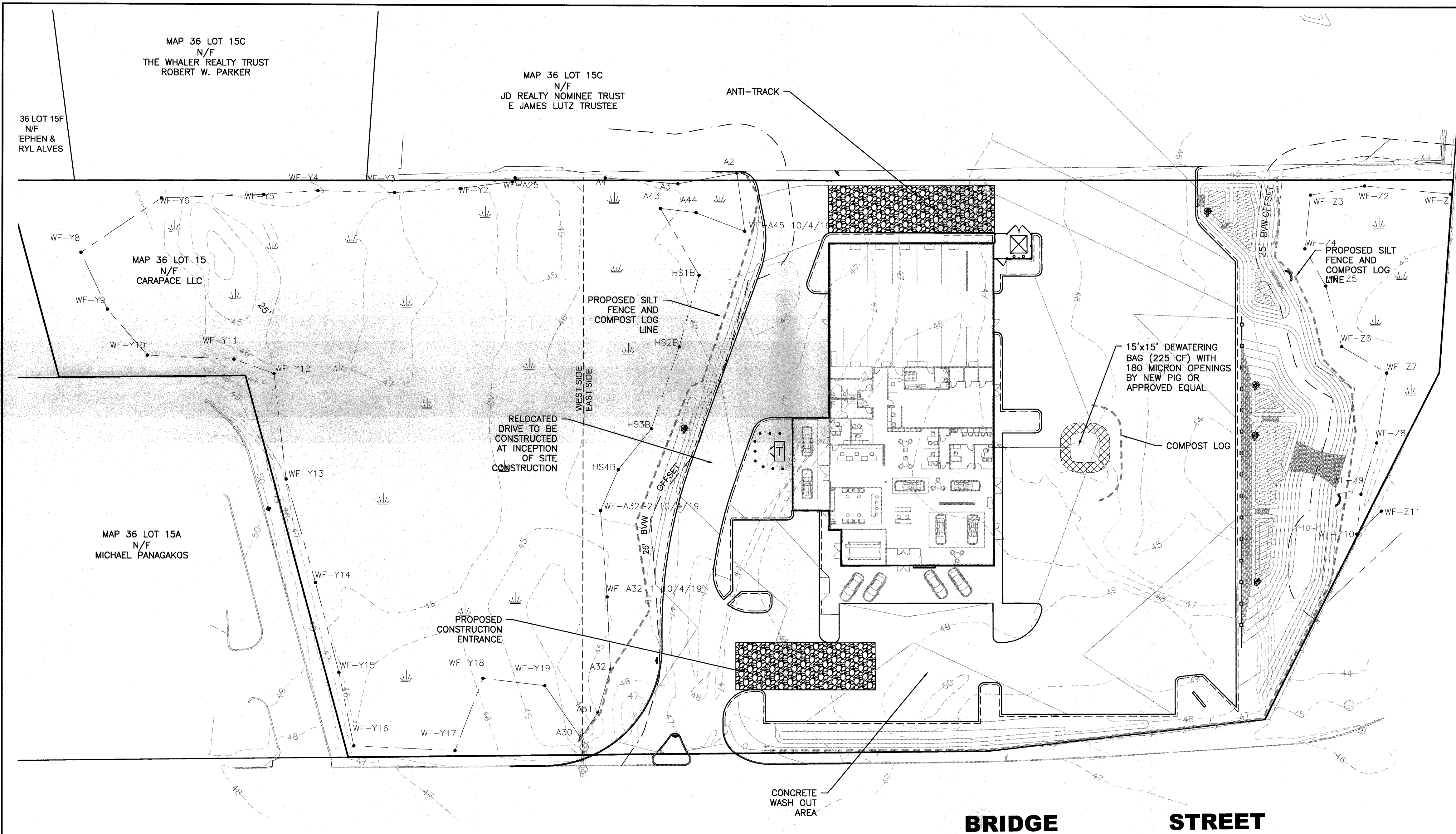
PROJECT
250 BRIDGE STREET
FAIRHAVEN, MASSACHUSETTS

CLIENT
CARAPACE, LLC
FAIRHAVEN, MASSACHUSETTS

PRIME ENGINEERING
P.O. BOX 1088
350 BEDFORD ST.
LAKEVILLE, MA 02347
TEL: 508.947.0050
FAX: 508.947.2004

SCALE:	1" = 30'
DATE:	APRIL 27, 2015
DRAWN BY:	EKW/TRW
DESIGNED BY:	RJR
CHECKED BY:	RJR
APPROVED BY:	RJR
SHEET NO.:	2
PROJECT NO.:	19830101

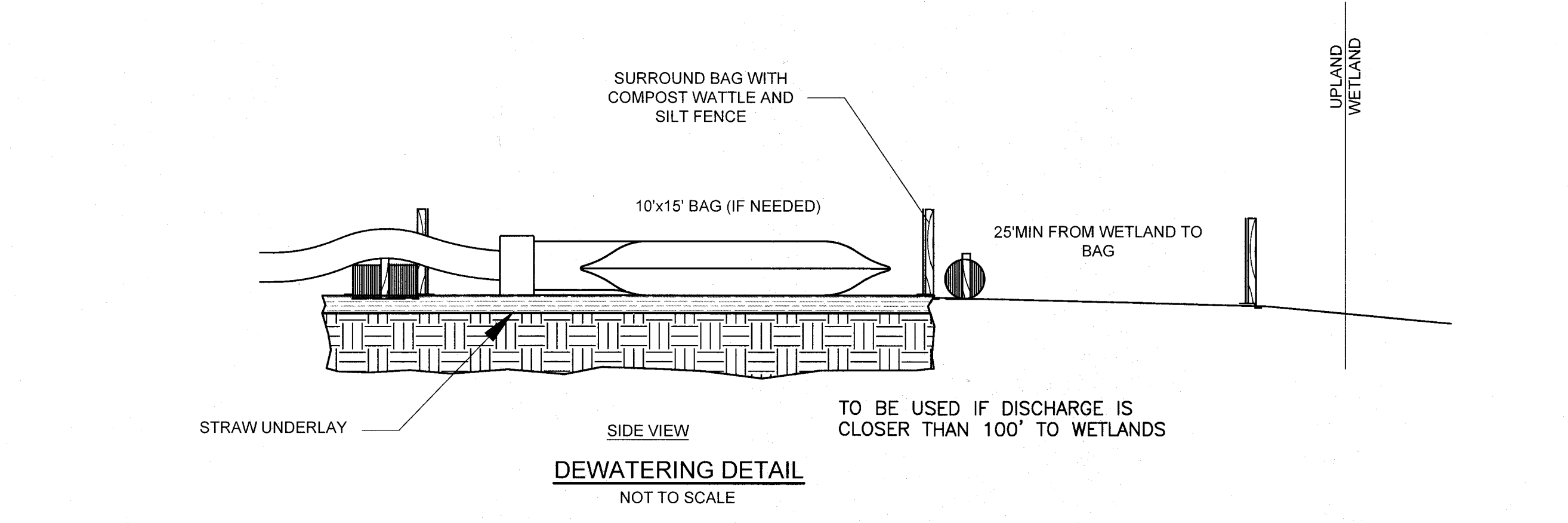
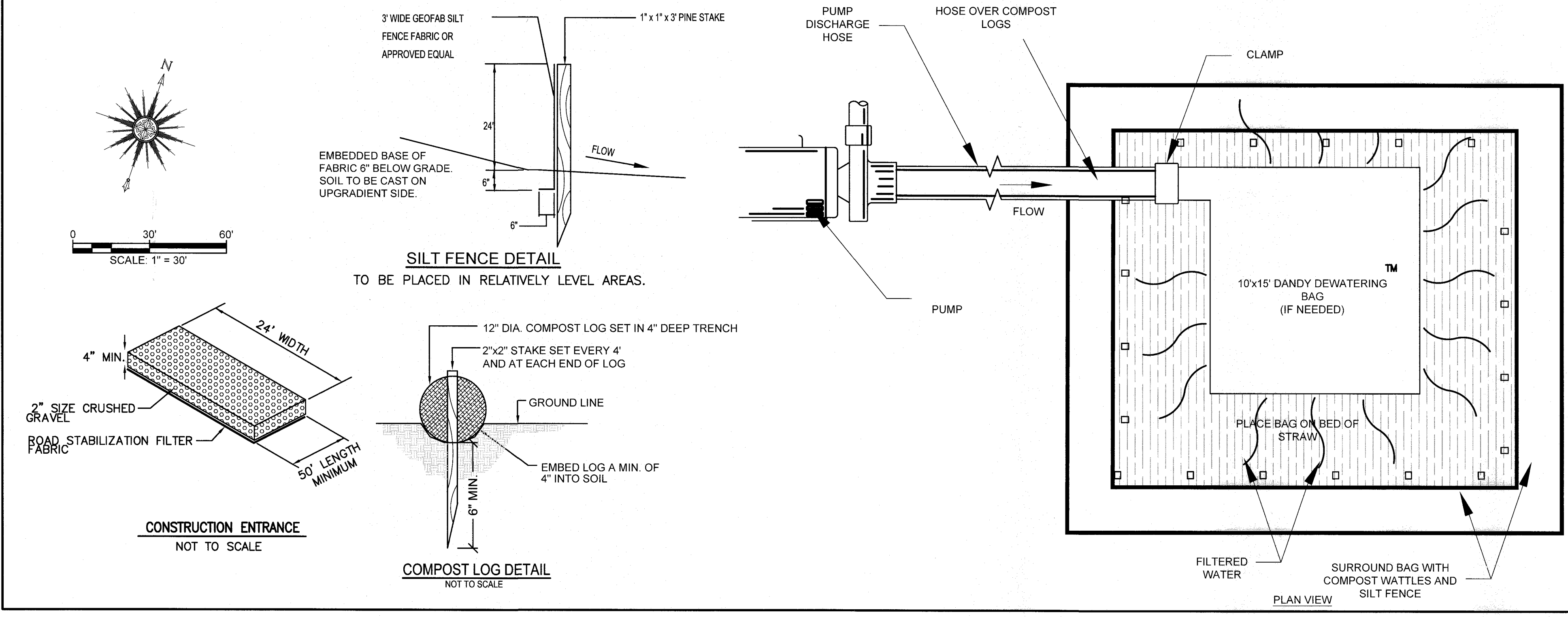




- EROSION & SEDIMENT CONTROL NOTES:**
- THE FOLLOWING IS THE MINIMUM REQUIREMENTS THE CONTRACTOR SHALL FOLLOW TO PREVENT IMPACTS CAUSED BY EROSION AND SEDIMENTATION DURING CONSTRUCTION. THE CONTRACTOR MAY, AT HIS DISCRETION, IMPLEMENT ADDITIONAL MEASURES IF NECESSARY.
 - EROSION AND SEDIMENT CONTROL MEASURES WILL BE INSTALLED PRIOR TO STUMP REMOVAL AND CONSTRUCTION. STABILIZATION OF ALL REGRADED AND SOIL STOCKPILE AREAS WILL BE INITIATED AND MAINTAINED DURING ALL PHASES OF CONSTRUCTION.
 - ALL EROSION AND SEDIMENT CONTROL MEASURES WILL BE CONSTRUCTED IN ACCORDANCE WITH LOCAL MUNICIPAL REGULATIONS. ALL EROSION CONTROL MEASURES ARE TO BE MAINTAINED AND UPGRADED AS REQUIRED TO ACHIEVE PROPER SEDIMENT CONTROL DURING CONSTRUCTION. A STAKED COMPOST LOG DAM SHALL BE INSTALLED DOWN GRADIENT OF ALL DRAINAGE OUTFALLS.
 - ADDITIONAL CONTROL MEASURES WILL BE INSTALLED DURING THE CONSTRUCTION PERIOD, IF DEEMED NECESSARY BY THE OWNER OR AGENTS OF THE OWNER.
 - CATCH BASINS WILL BE PROTECTED WITH COMPOST LOG FILTERS THROUGHOUT THE CONSTRUCTION PERIOD UNTIL ALL DISTURBED AREAS ARE THOROUGHLY STABILIZED. FILTER FABRIC SHOULD BE INSTALLED UNDER GRATE OPENING UNTIL PAVEMENT IS IN PLACE AND GROUND SURFACE IS STABILIZED.
 - SEEDING MIXTURE FOR FINISHED GRASSED AREAS WILL BE AS FOLLOWS:
 KENTUCKY BLUE GRASS 45%
 CREEPING RED FESCUE 45%
 PERENNIAL RYEGRASS 10%
 SEED TO BE APPLIED AT A RATE OF 4 LBS./1000 SQ. FT.
 FERTILIZER SHALL BE APPLIED AT A RATE OF 2 LBS./1000 SQ. FT.
 PLANTING SEASONS SHALL BE APRIL 1 TO JUNE 1 AND AUGUST 1 TO OCTOBER 1. AREAS WILL BE STABILIZED WITH COMPOST LOG CHECK, FILTER FABRIC, OR WOODCHIP MULCH, AS REQUIRED, TO CONTROL EROSION.
 - AREAS TO BE LEFT BARE BEFORE FINISHED GRADING AND SEEDING IS ACHIEVED, SHALL RECEIVE A TEMPORARY SEEDING OF PERENNIAL RYEGRASS APPLIED TO A RATE OF 2 LBS./1,000 SQ. FT. AT A DEPTH OF 1/2 INCH. LIMESTONE (EQUIVALENT TO BE 50 PERCENT CALCIUM PLUS MAGNESIUM OXIDE) SHALL BE APPLIED AS SEEDBED PREPARATION AT A RATE OF 90 LBS./1,000 SQ. FT. PLANTING SEASONS SHALL BE APRIL 1 TO JUNE 1 AND AUGUST 1 TO OCTOBER 1. WHERE GRASS PREDOMINATES, FERTILIZER SHALL BE APPLIED AT A MINIMUM APPLICATION RATE OF 1 LB. OF NITROGEN PER 1,000 SQ. FT. AREAS TO BE LEFT BARE BEFORE FINISH GRADING AND SEEDING OUTSIDE OF PLANTING SEASONS SHALL RECEIVE AN AIR-DRYED WOOD CHIP MULCH, FREE OF COARSE MATTER, TREATED WITH 1-2 LBS. NITROGEN PER TON, APPLIED AT A RATE OF 185-275 LBS./1,000 SQ. FT.
 - AT ALL PROPOSED FILL AREAS WHICH ARE NOT CURRENTLY SHOWN ON THESE PLANS, THE CONTRACTOR SHALL ESTABLISH AN EROSION CONTROL LINE (COMPOST LOG CHECK OR FILTER FABRIC) ABOUT TEN (10) FEET FROM TOE TO SLOPE OF PROPOSED FILL AREAS PRIOR TO BEGINNING FILL INSTALLATION. STABILIZATION OF SLOPES IN FILL AREAS (USING MULCH OR GRASS) SHALL BE INITIATED WITHIN THIRTY (30) DAYS OF COMMENCEMENT OF FILL INSTALLATION.
 - STABILIZATION OF SLOPES IN CUT AREAS (USING MULCH OR GRASS) AND THE INSTALLATION OF CONTROL LINE (COMPOST LOG CHECK OR FILTER FABRIC) AT THE TOE OF SLOPE SHALL BE INITIATED WITHIN THIRTY (30) FEET.
 - SEDIMENT REMOVED FROM CONTROL STRUCTURES WILL BE DISPOSED IN A MANNER WHICH IS CONSISTENT WITH THE INTENT OF THE PLAN. ALL COMPOST LOGS OR SILT FENCE RETAINING SEDIMENT OVER 1/2 THEIR HEIGHT SHALL HAVE THE SEDIMENT REMOVED AND ALL DAMAGED EROSION CONTROLS SHALL BE REPAIRED OR REPLACED.
 - CONTRACTOR WILL BE ASSIGNED THE RESPONSIBILITY FOR IMPLEMENTING THIS EROSION AND SEDIMENT CONTROL PLAN. THIS RESPONSIBILITY INCLUDES THE INSTALLATION AND MAINTENANCE OF CONTROL MEASURES, INFORMING ALL PARTIES ENGAGED ON THE CONSTRUCTION SITE OF THE REQUIREMENTS AND OBJECTIVES OF THE PLAN, AND NOTIFYING THE PROPER TOWN AGENCY OF ANY TRANSFER OF THIS RESPONSIBILITY. THE OWNER SHALL BE RESPONSIBLE FOR CONVEYING A COPY OF THE EROSION AND SEDIMENT CONTROL PLAN IF THE TITLE TO THE LAND IS TRANSFERRED.
 - THE CONTRACTOR SHALL SECURE THE SERVICES OF A PROFESSIONAL ENGINEER, WHO SHALL VERIFY IN THE FIELD THAT THE CONTROLS REQUIRED BY THIS PLAN ARE PROPERLY INSTALLED, SHALL MAKE INSPECTION OF SUCH FACILITIES NOT LESS FREQUENTLY THAN EVERY 14 DAYS OR AFTER A RAINFALL IN EXCESS OF 1/4 INCH, WHICHEVER OCCURS FIRST.
 - STOCKPILES OF SOIL SHALL BE SURROUNDED BY A SEDIMENT BARRIER. SOIL STOCKPILES TO BE LEFT BARE FOR MORE THAN THIRTY (30) DAYS SHALL BE STABILIZED WITH TEMPORARY VEGETATION OR MULCH. IF SOIL STOCKPILES ARE TO REMAIN FOR MORE THAN SIXTY (60) DAYS, FILTER FABRIC SHALL BE USED IN PLACE OF COMPOST LOGS. SIDE SLOPES SHALL NOT EXCEED 2:1.
 - THE CONTRACTOR SHALL BE RESPONSIBLE TO CONTROL DUST AND WIND EROSION THROUGHOUT THE LIFE OF HIS CONTRACT. DUST CONTROL SHALL INCLUDE, BUT IS NOT LIMITED TO SPRINKLING OF WATER ON EXPOSED SOILS AND HAUL ROADS AS NEEDED. CONTRACTOR SHALL CONTROL DUST TO PREVENT A HAZARD TO TRAFFIC.
 - IF FINAL GRADING IS TO BE DELAYED FOR MORE THAN THIRTY (30) DAYS AFTER LAND DISTURBANCES CEASE, TEMPORARY VEGETATION OR MULCH SHALL BE USED TO STABILIZE SOILS.
 - COMPOST LOGS SHALL BE USED ONLY AS A TEMPORARY MEASURE. WHERE CONTROL MEASURES WILL BE REQUIRED FOR LONGER THAN SIXTY (60) DAYS, FILTER FABRIC SHALL BE USED.
 - WHERE DEWATERING IS NECESSARY, THERE SHALL NOT BE A DISCHARGE DIRECTLY INTO WETLANDS OR WATERCOURSES. PROPER METHODS AND DEVICES SHALL BE UTILIZED TO THE EXTENT PERMITTED BY LAW, SUCH AS PUMPING WATER INTO A TEMPORARY SEDIMENTATION BOWL, PROVIDING SURGE PROTECTION AT THE INLET AND THE OUTLET OF PUMPS, OR FLOATING THE INTAKE OF THE PUMP, OR OTHER METHODS TO MINIMIZE AND RETAIN THE SUSPENDED SOLIDS. IF A PUMPING OPERATION IS CAUSING TURBIDITY PROBLEMS, SAID OPERATION SHALL CEASE UNTIL SUCH TIME AS FEASIBLE MEANS OF CONTROLLING TURBIDITY ARE DETERMINED AND IMPLEMENTED. SAID DISCHARGE POINTS SHALL BE LOCATED OVER 100 FEET FROM THE DELINEATED WETLANDS AS INDICATED ON THIS PLAN.
 - THE CONTRACTOR SHALL OBTAIN AN NPDES PERMIT PRIOR TO THE START OF CONSTRUCTION.

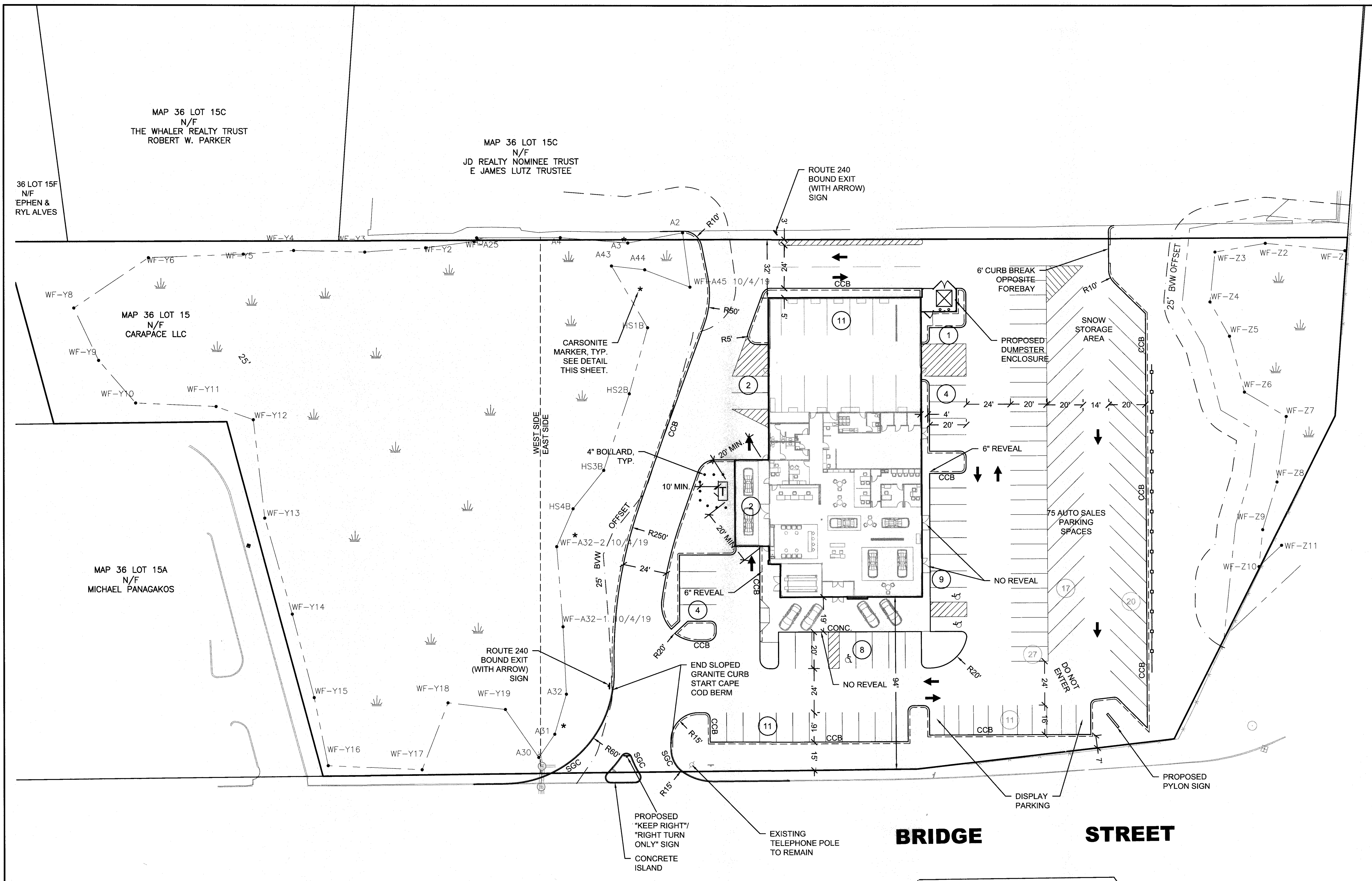
DEWATERING NOTES:

- DEWATERING TO CONSIST OF PUMPING INTO A COMMERCIAL SILT BAG WITH A 12 INCH DIAMETER COMPOST LOG STAKED TWENTY FEET DOWNGRADIENT OF THE SILT BAG.



REV	DATE	DESCRIPTION	BY	APP
18	03-10-20	GENERAL REVISIONS	JAG	RJR
15	03-05-20	REVISED PLANTING SCHEDULE	SWK	KJR
14	02-28-20	GENERAL REVISIONS	JAG	RJR
13	02-14-20	GENERAL REVISIONS	JAG	RJR
12	01-22-20	GENERAL REVISIONS	JAG	RJR
11	01-10-20	ADDED EXISTING CATCH BASIN DETAIL	SWK	KJR
10	01-01-20	GENERAL REVISIONS	JAG	RJR
9	12-3-19	GENERAL REVISIONS	JAG	RJR
8	10-31-19	GENERAL REVISIONS	JAG	RJR
7	10-05-19	NEW WETLAND LINE GENERAL REVISIONS	JAG	RJR
6	7-16-19	NEW BUILDING FOOTPRINT/SITE LAYOUT	JAG	RJR
5	6-24-19	NEW BUILDING FOOTPRINT/SITE LAYOUT	JAG	RJR
4	4-26-19	NEW BUILDING FOOTPRINT/SITE LAYOUT	JAG	RJR
3	9-05-15	GENERAL REVISIONS	TRW	RJR
2	8-25-15	REVISIONS PER PLANNING BOARD	EKW	RJR
1	7-16-15	GENERAL REVISIONS	EKW	RJR

DRAWING TITLE	EROSION CONTROL
PROJECT	250 BRIDGE STREET FAIRHAVEN, MASSACHUSETTS
CLIENT	CARAPACE, LLC FAIRHAVEN, MASSACHUSETTS
SCALE	1" = 30'
DATE	APRIL 12, 2019
DRAWN BY	JAG
DESIGNED BY	JAG
CHECKED BY	RJR
APPROVED BY	RJR
SHEET NO.	3
PROJECT NO.	19830101



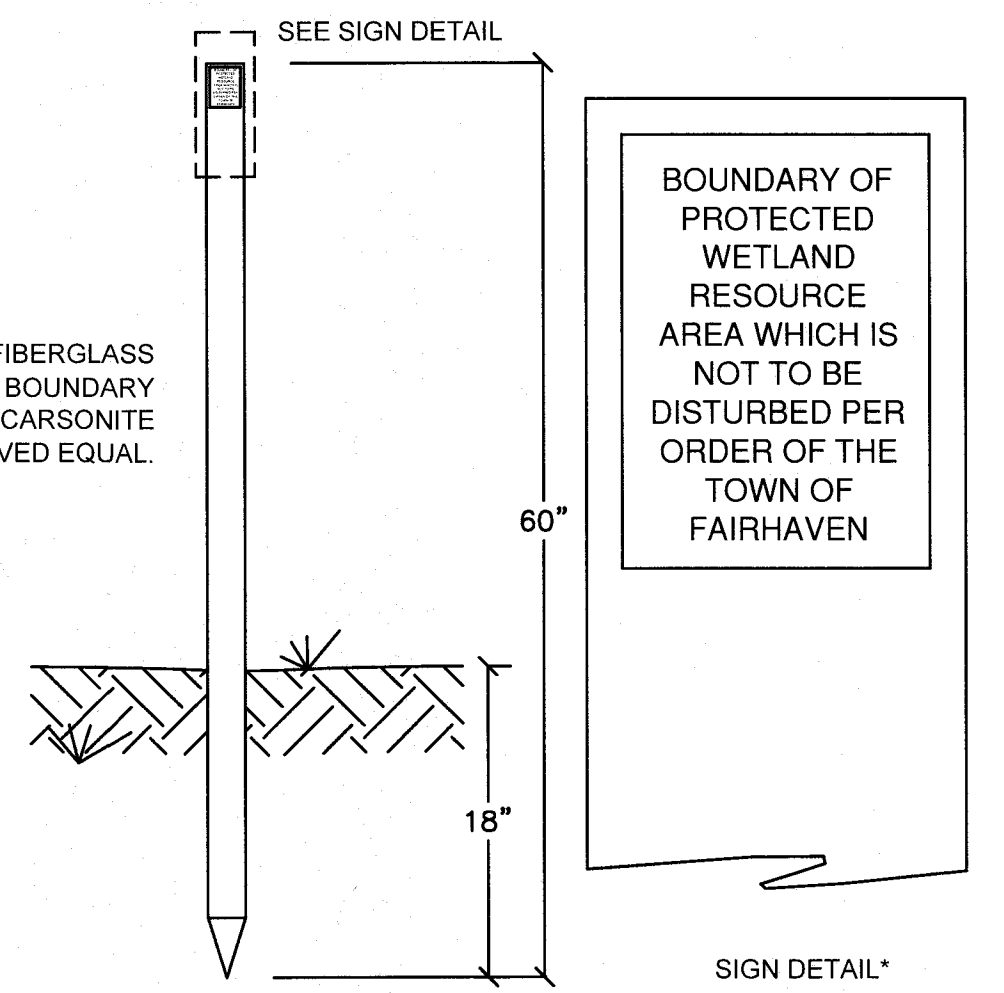
ROUTE 240

BRIDGE STREET

ZONING SUMMARY TABLE
INDUSTRIAL ZONE

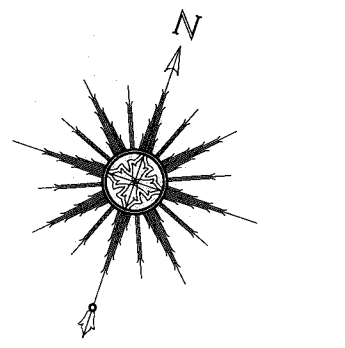
CRITERIA	REQUIRED	PROVIDED
MIN. TOTAL AREA (SF)	50,000 SF	173,804 SF
MIN. UPLAND AREA (SF)	35,000 SF	100,300 SF
MIN. FRONTAGE (LF)	140 LF	487.28 LF
BLDG FRONT SETBACK (LF)	50'	94'
BLDG SIDE SET BACK (LF)	25'	32'
BLDG REAR SETBACK (LF)	50'	32**
BLDG HEIGHT (LF)	40'	35'
PARKING SETBACK (LF)	50'	5**
MAX. IMPERVIOUS COVERAGE	65%	43%
MAX. BLDG COVERAGE	25%	8.3%
REQUIRED PARKING 1 SPACE PER 250 S.F. GLFA (13,500 / 250 = 55)	54	54

* REQUIRES A VARIANCE



WETLAND BOUNDARY PERMANENT MARKER
NOT TO SCALE

NOTE: SNOW SHALL NOT BE DISPOSED WITHIN BMPS. EXCESS SNOW SHALL BE REMOVED OFF SITE AT NO COST TO THE TOWN.



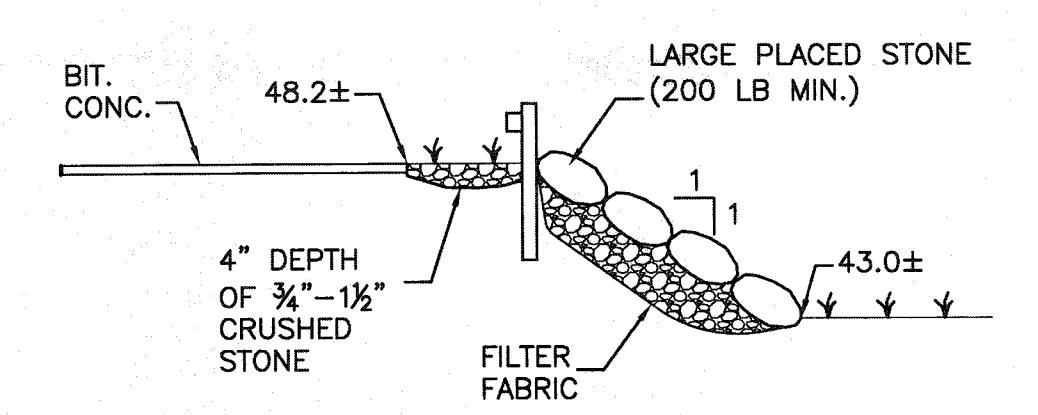
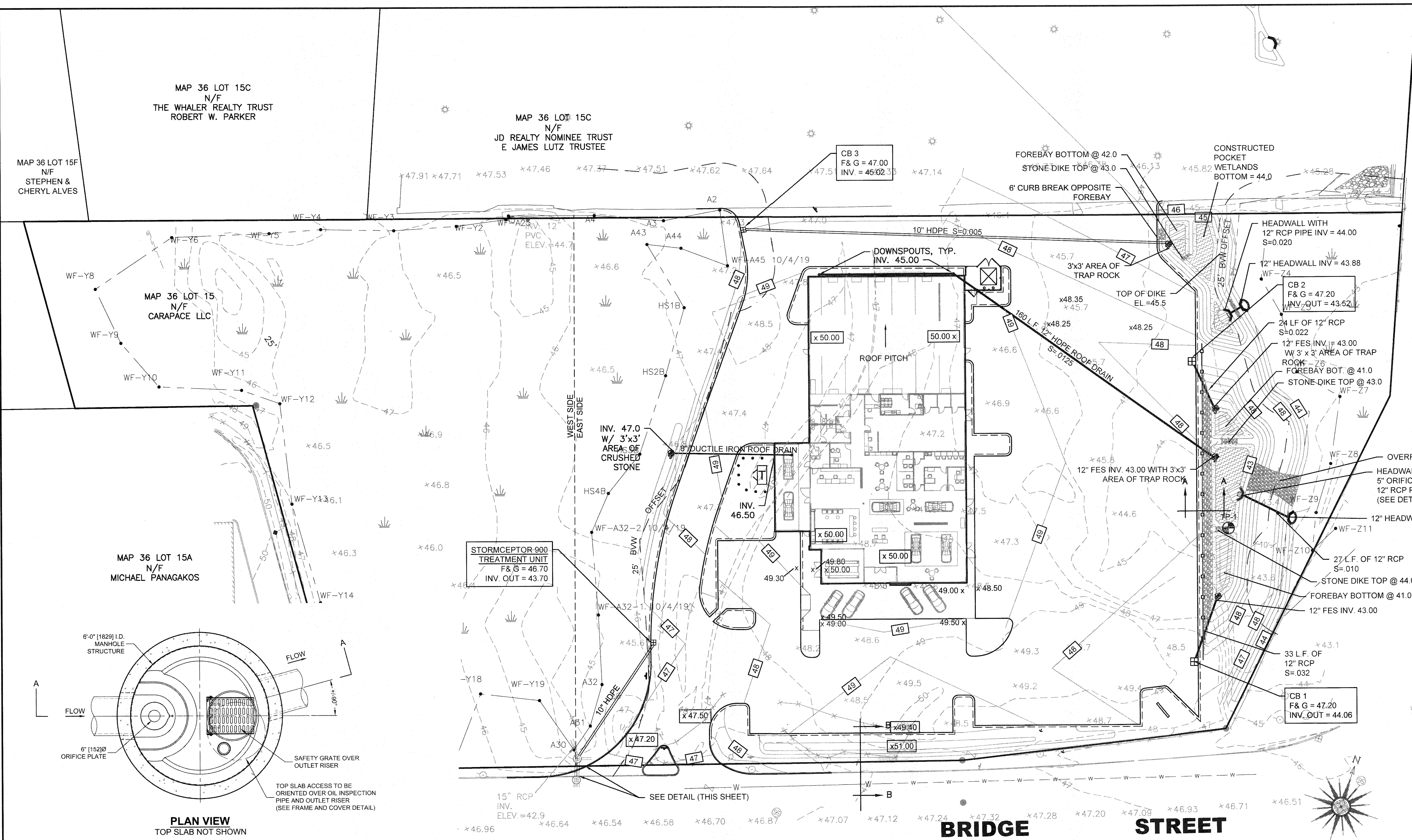
0 30' 60'
SCALE: 1" = 30'

REV	DATE	DESCRIPTION	BY	APP	DRAWING TITLE	SCALE
16	03-10-20	GENERAL REVISIONS	JAG	RJR	SITE LAYOUT 250 BRIDGE STREET FAIRHAVEN, MASSACHUSETTS CARAPACE, LLC FAIRHAVEN, MASSACHUSETTS	1" = 30'
15	03-8-20	REVISED PLANNING SCHEDULE	SWL	RJR		
14	02-28-20	GENERAL REVISIONS	JAG	RJR		
13	02-14-20	GENERAL REVISIONS	JAG	RJR		
12	01-22-20	GENERAL REVISIONS	JAG	RJR		
11	01-13-20	ADDED EXISTING CATCH BASIN DETAIL	SWL	RJR		
10	01-01-20	GENERAL REVISIONS	JAG	RJR		
9	12-3-19	GENERAL REVISIONS	JAG	RJR		
8	10-31-19	GENERAL REVISIONS	JAG	RJR		
7	10-8-19	NEW WETLAND LINE/ GENERAL REVISIONS	JAG	RJR		
6	7-16-19	NEW BUILDING FOOTPRINT/SITE LAYOUT	JAG	RJR		
5	6-24-19	NEW BUILDING FOOTPRINT/SITE LAYOUT	JAG	RJR		
4	4-26-19	NEW BUILDING FOOTPRINT/SITE LAYOUT	JAG	RJR		
3	2-4-15	GENERAL REVISIONS	TRW	RJR		
2	8-25-15	REVISIONS PER PLANNING BOARD	EKW	RJR		
1	7-10-15	GENERAL REVISIONS	ERW	RJR		

PROJECT	CLIENT	CHECKED BY:	APPROVED BY:
250 BRIDGE STREET FAIRHAVEN, MASSACHUSETTS	CARAPACE, LLC FAIRHAVEN, MASSACHUSETTS	JAG	RJR

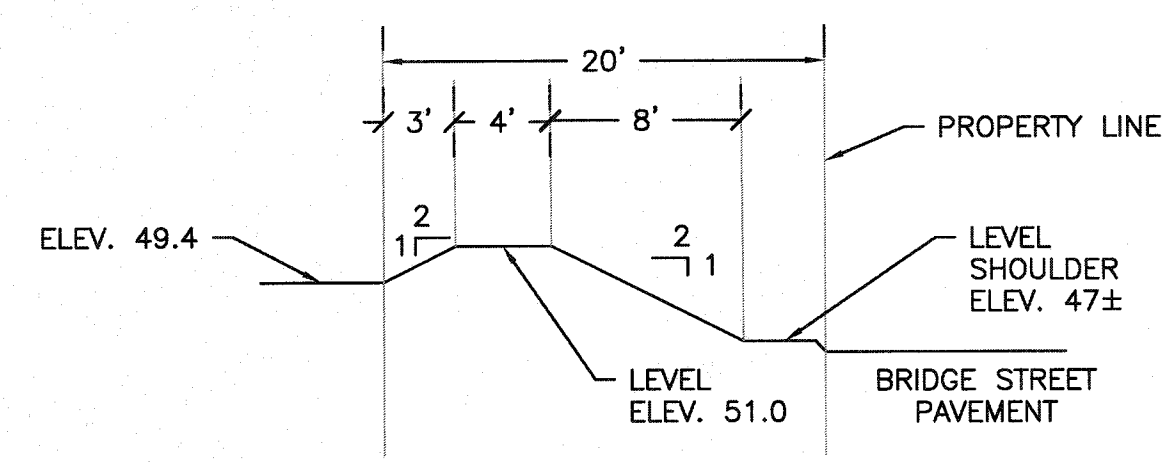
DATE	DESIGNED BY	CHECKED BY	APPROVED BY
APRIL 12, 2019	JAG	JAG	RJR

PROJECT NO.	SHEET NO.
19830101	4



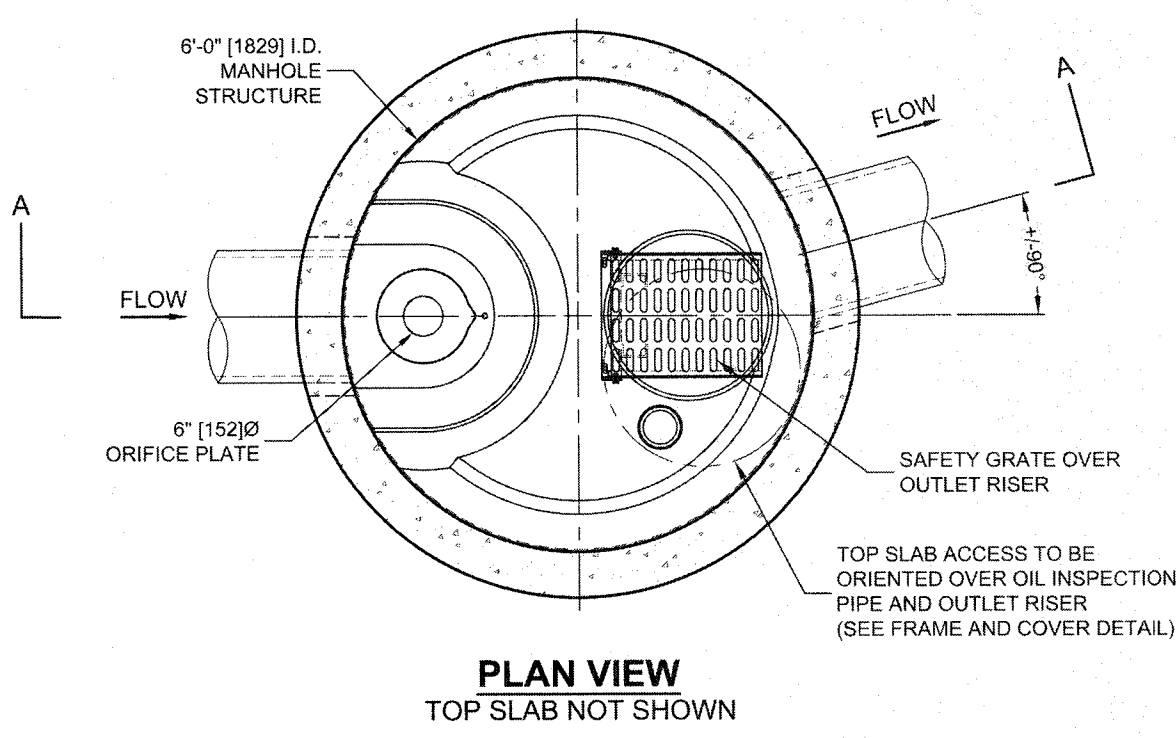
CROSS SECTION A-A

NOTE: MIN. 4' x 4' CRUSHED STONE APRON SHALL BE PROVIDED AT ALL OUTFALLS

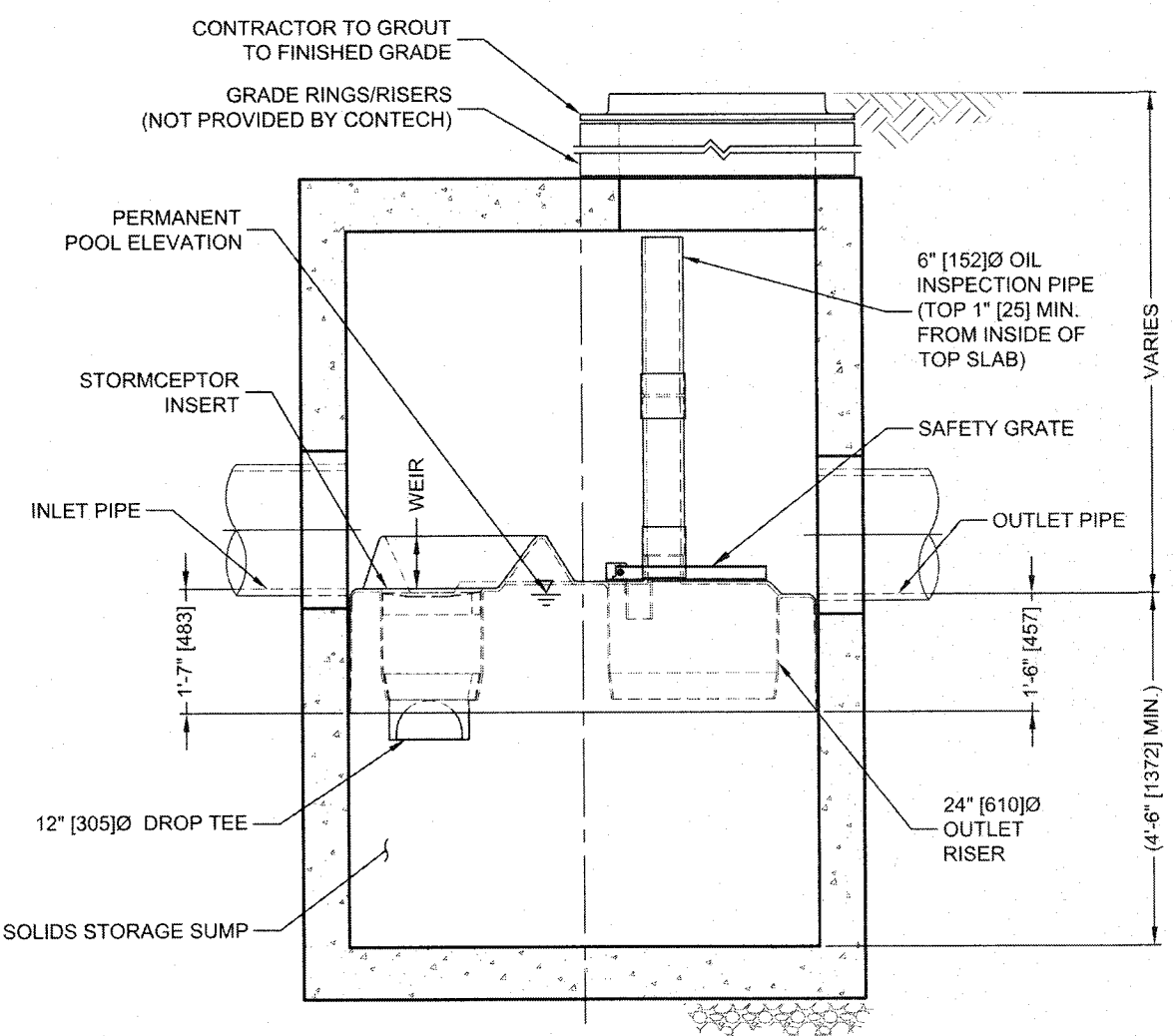


CROSS SECTION B-B
LANDSCAPED MOUND ALONG BRIDGE STREET

ROUTE 240



PLAN VIEW
TOP SLAB NOT SHOWN



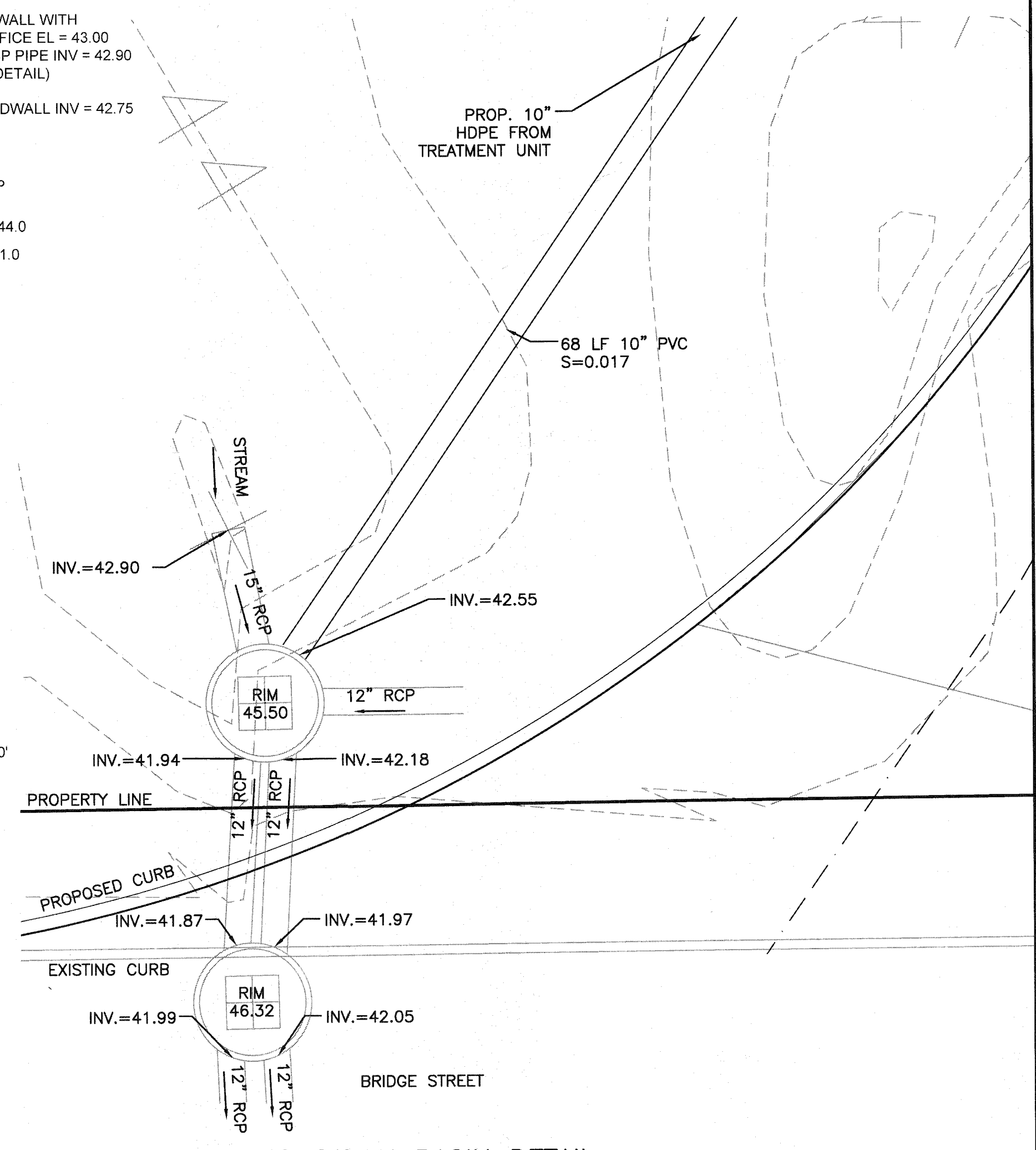
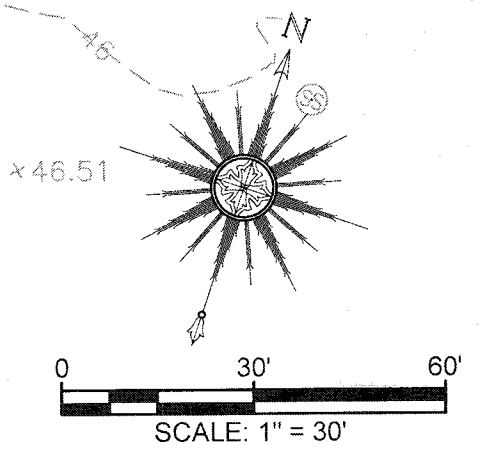
SECTION A-A

NOTE: REFER TO PERMANENT STORMWATER SYSTEM OPERATION AND MAINTENANCE PROGRAM FOR INSPECTION AND MAINTENANCE REQUIREMENTS.

STORMCEPTOR 900 TREATMENT UNIT

NOT TO SCALE

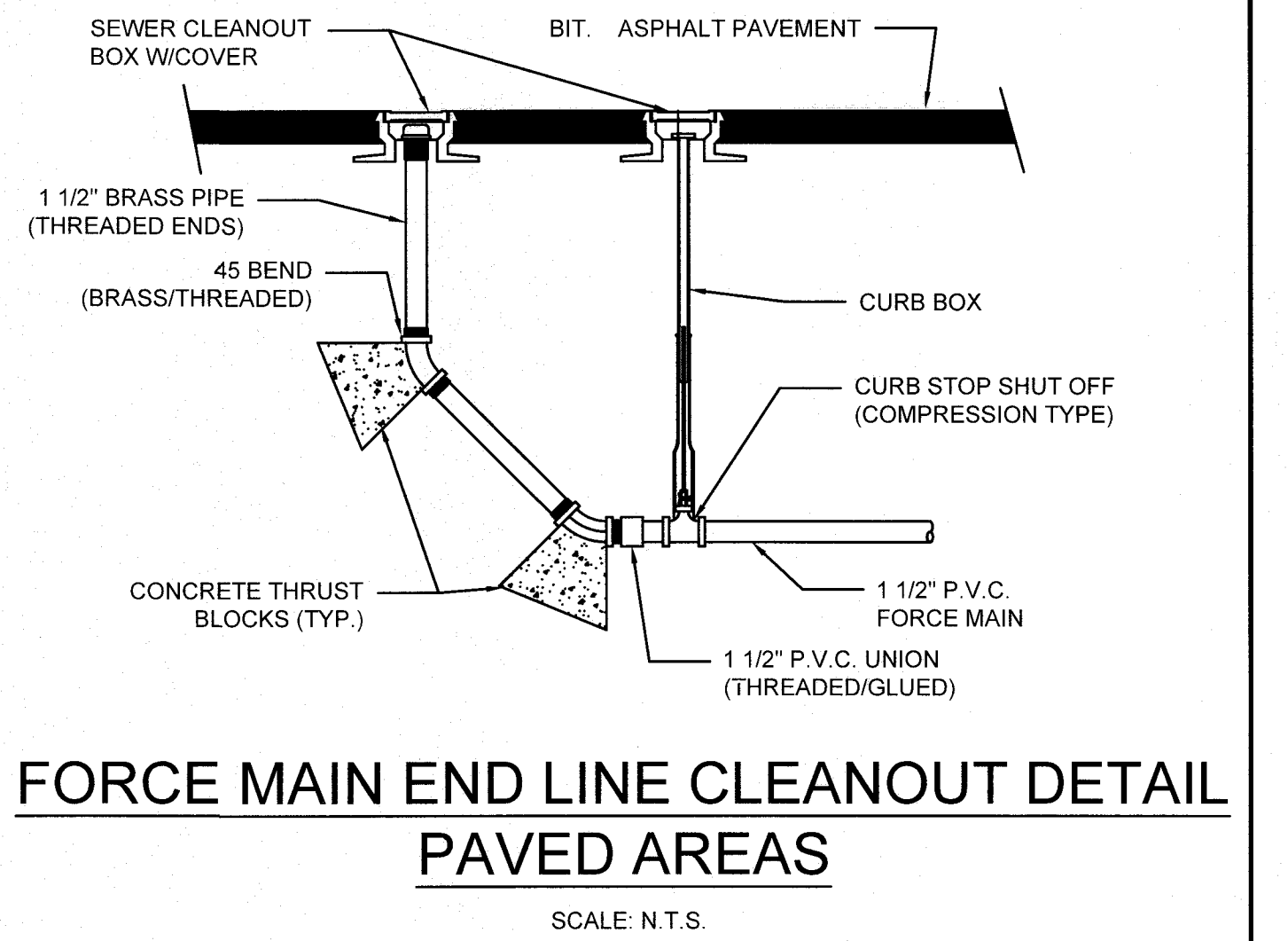
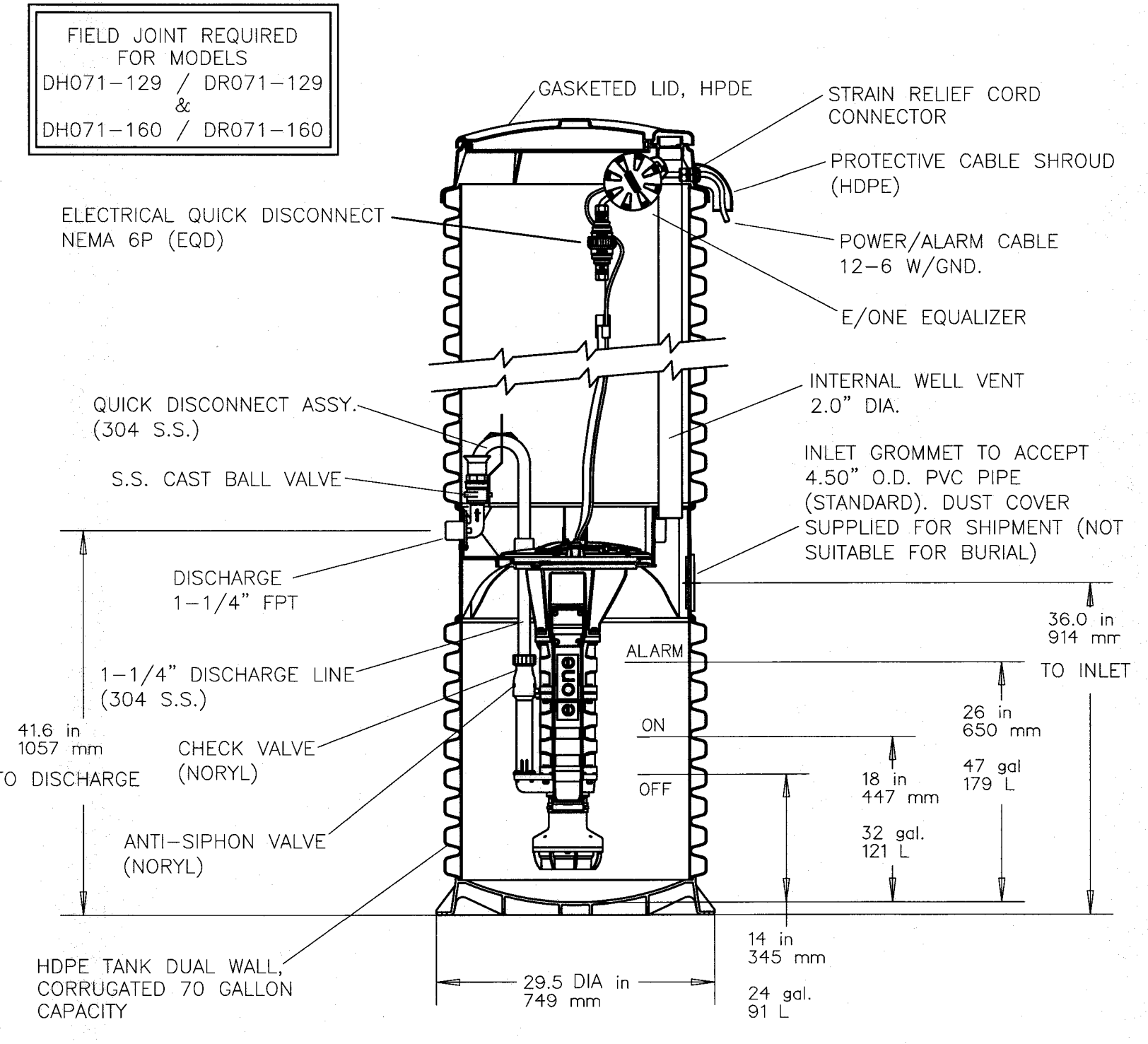
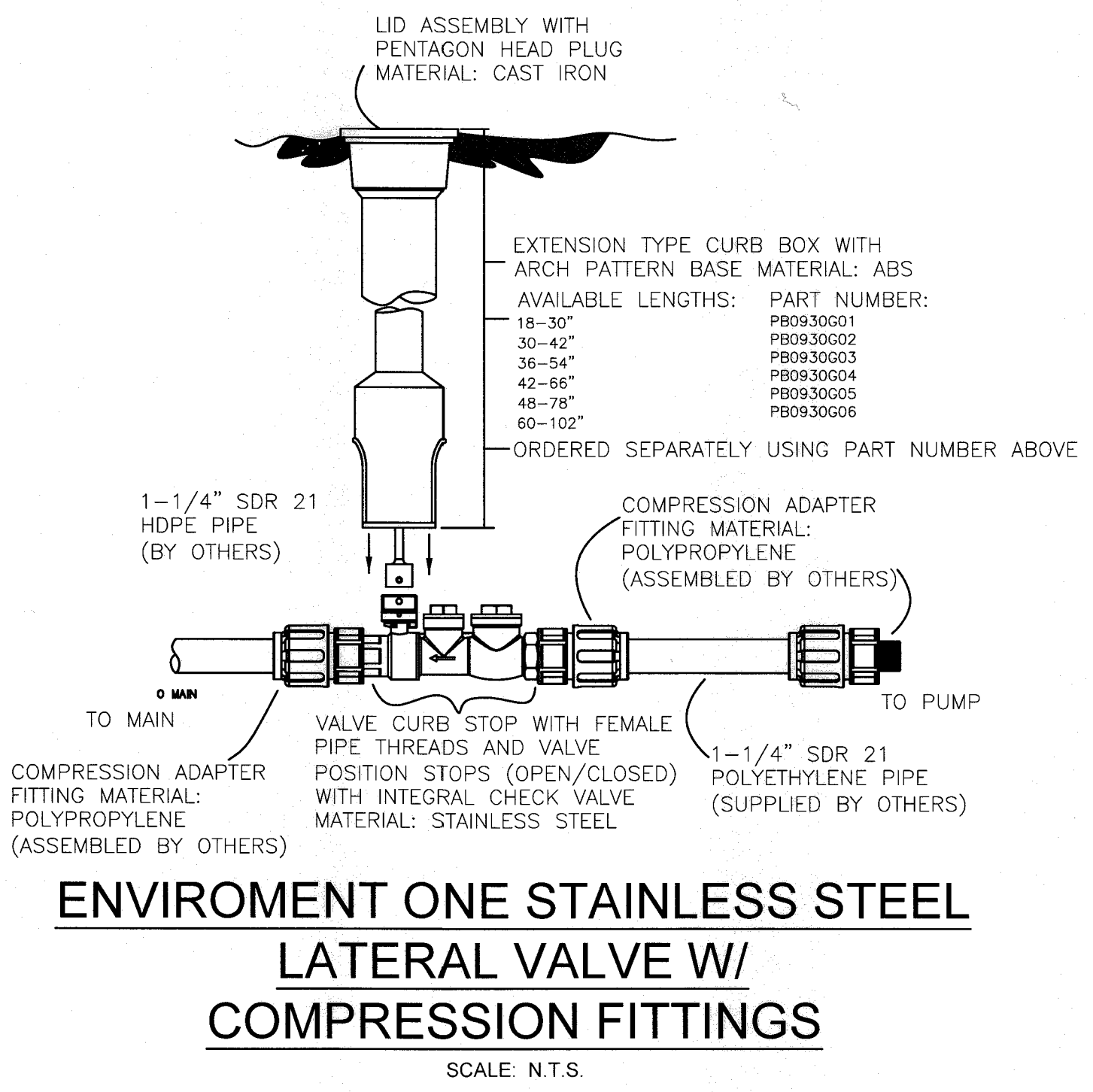
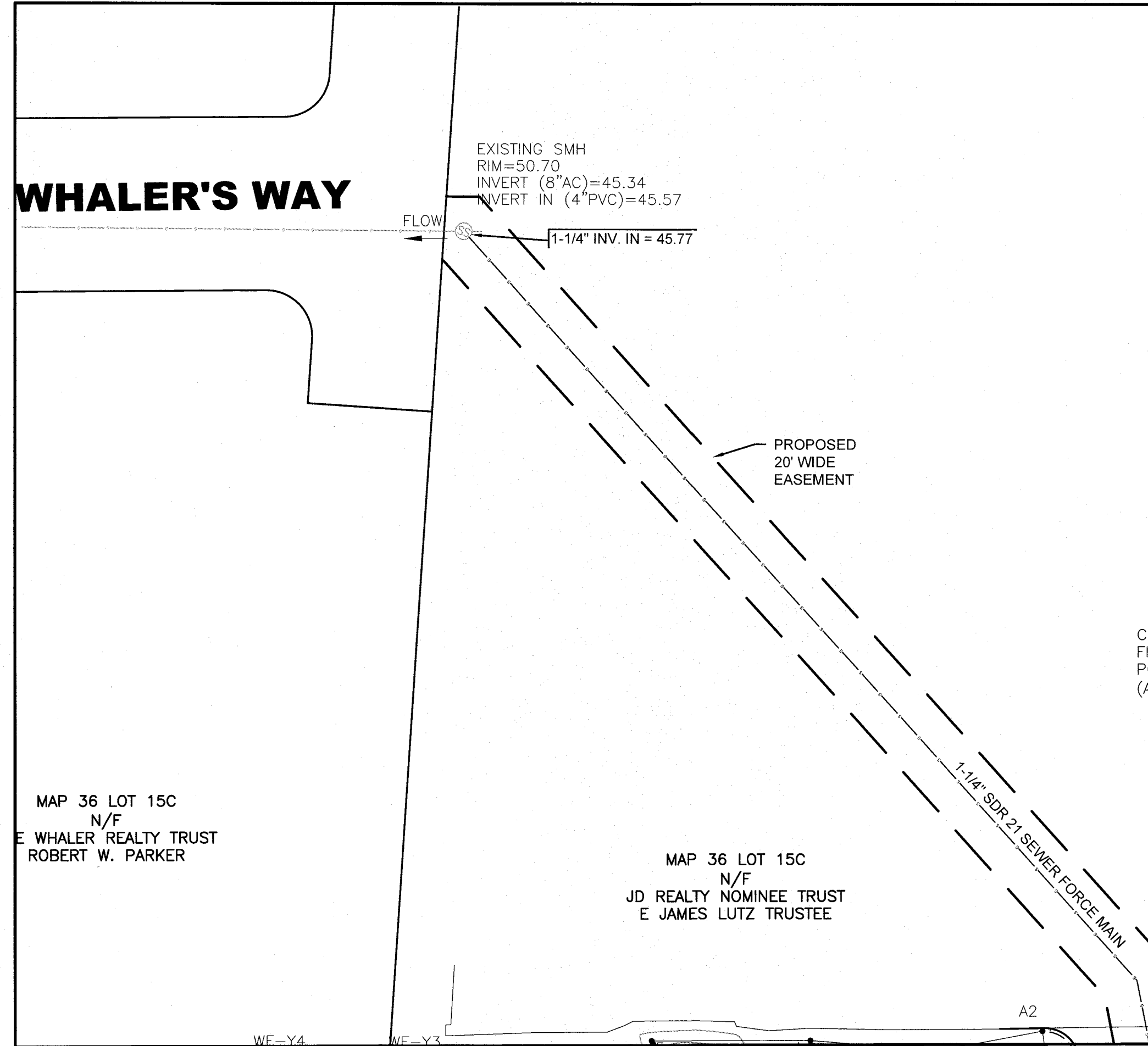
BRIDGE STREET



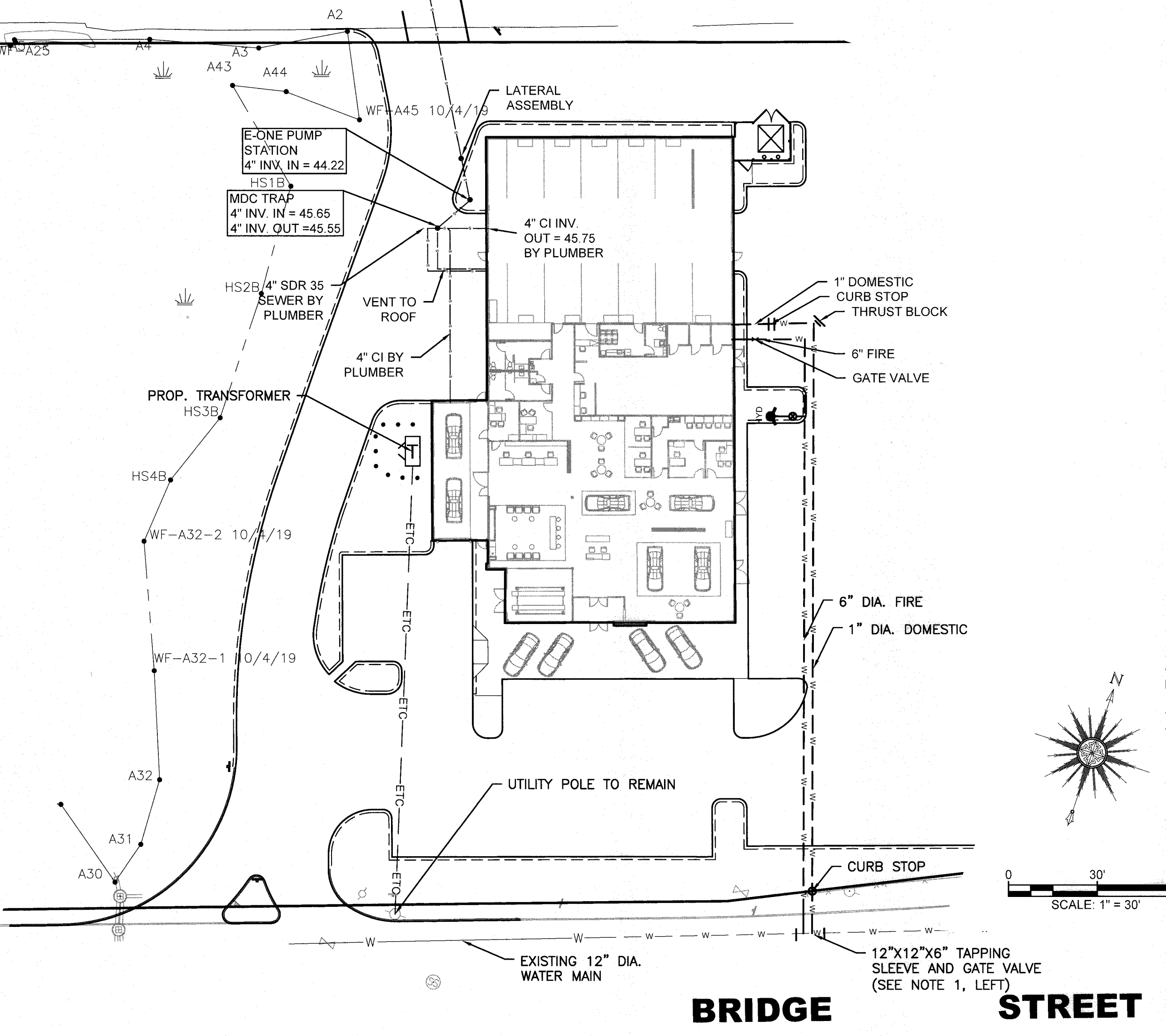
EXISTING CATCH BASIN DETAIL
SCALE: 1"=4'

REV	DATE	DESCRIPTION	BY	APP
17	03-17-20	TREATMENT UNIT DETAIL	JAG	RJR
16	03-10-20	GENERAL REVISIONS	JAG	RJR
15	03-06-20	REVISED PLANTING SCHEDULE	SVE	RJR
14	02-28-20	GENERAL REVISIONS	JAG	RJR
13	02-14-20	GENERAL REVISIONS	JAG	RJR
12	01-22-20	GENERAL REVISIONS	JAG	RJR
11	01-10-20	ADDED EXISTING CATCH BASIN DETAIL	SVE	RJR
10	01-01-20	GENERAL REVISIONS	JAG	RJR
9	12-31-19	GENERAL REVISIONS	JAG	RJR
8	10-31-19	GENERAL REVISIONS	JAG	RJR
7	10-8-19	NEW WETLAND LINE GENERAL REVISIONS	JAG	RJR
6	7-16-19	NEW BUILDING FOOTPRINT/SITE LAYOUT	JAG	RJR
5	6-24-19	NEW BUILDING FOOTPRINT/SITE LAYOUT	JAG	RJR
4	4-26-19	GENERAL REVISIONS	TRW	RJR
3	3-4-15	GENERAL REVISIONS	TRW	RJR
2	8-25-15	REVISIONS PER PLANNING BOARD	EKW	RJR
1	7-10-15	GENERAL REVISIONS	EKW	RJR

<p>GRADING & DRAINAGE PLAN</p> <p>250 BRIDGE STREET FAIRHAVEN, MASSACHUSETTS CARAPACE, LLC FAIRHAVEN, MASSACHUSETTS</p>	<p>SCALE: 1" = 30'</p> <p>DATE: APRIL 27, 2015</p> <p>DRAWN BY: EKW/TRW</p> <p>DESIGNED BY: RJR</p> <p>CHECKED BY: RJR</p> <p>APPROVED BY: RJR</p>	<p>PROJECT</p> <p>CLIENT</p> <p>CIVIL ENGINEERING</p> <p>LAND SURVEYING</p> <p>ENVIRONMENTAL ASSESSMENT</p>	<p>P.O. BOX 1088 350 BEDFORD ST LAKEVILLE, MA 02347 TEL: 508.947.0050 FAX: 508.947.2004</p> <p>PRIME ENGINEERING</p>	<p>SHEET NO. 5</p> <p>PROJECT NO. 19830101</p>
--	--	---	---	--



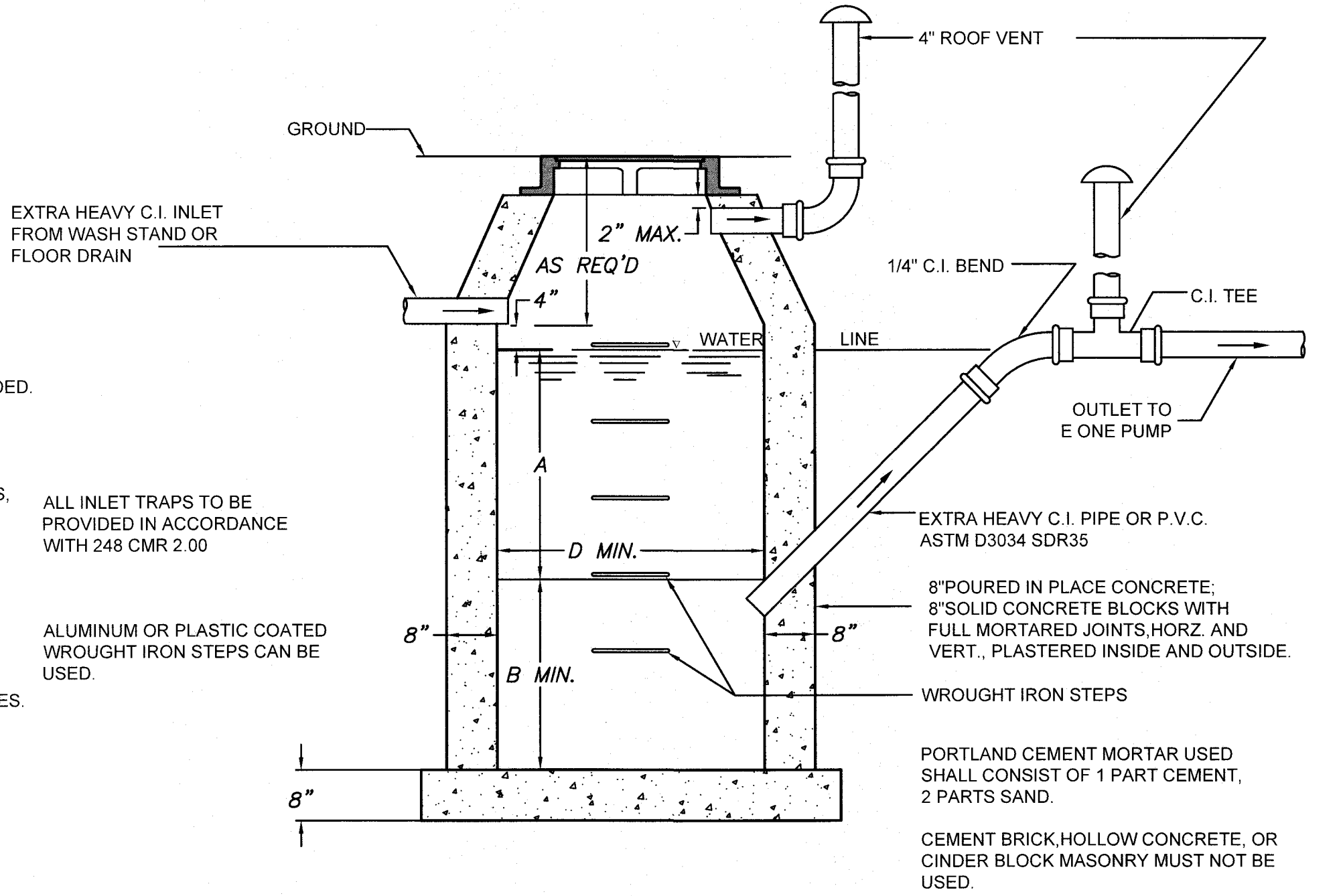
- NOTES:**
1. LOCATION AND SIZE OF ALL EXISTING UTILITIES TO BE CONFIRMED BY CONTRACTOR PRIOR TO CONSTRUCTION
 2. SEWER, WATER, AND DRAIN MATERIALS AND WORKMANSHIP SHALL CONFORM TO FAIRHAVEN DPW STANDARDS.
 3. CONTRACTOR SHALL APPLY FOR AND PAY FOR INSPECTORIAL SERVICES BY FAIRHAVEN DPW FOR ALL SEWER AND WATER WORK.
 4. ALL CONSTRUCTION SHALL COMPLY WITH THE TOWN OF FAIRHAVEN DEPARTMENT OF PUBLIC WORKS SPECIFICATIONS, LATEST EDITION.
 5. ALL BENDS ON THE WATER MAIN SHALL BE RESTRAINED WITH THRUST BLOCKS AND MEGALUG FITTINGS.
 6. ANY PAVEMENT PATCHES IN BRIDGE STREET TO HAVE PAVEMENT 1" THICKER THAN EXISTING.
 7. PAVEMENT JOINTS TO BE SEALED WITH STONE DUST AND EMULSION.
 8. HIGHWAY SUPERINTENDENT TO INSPECT TRENCHES PRIOR TO FINAL PAVING.
 9. A DRIVEWAY PERMIT WILL BE REQUIRED TO CHANGE THE CURB CUT LOCATION IN BRIDGE STREET.
 10. A TRENCH PERMIT WILL BE REQUIRED.
 11. A PRECONSTRUCTION MEETING WITH UTILITY CONTRACTOR AND WATER, SEWER AND HIGHWAY DEPARTMENTS IS REQUIRED.



- MDC NOTES:**
1. BASIN TO BE LOCATED OUTSIDE OF BUILDING WHERE POSSIBLE. COVER TO HAVE A CENTER HOLE.
 2. A TIGHT COVER MUST BE USED IF BASIN IS LOCATED INSIDE OF BUILDING.
 3. OPENING SHALL BE NOT LESS THAN 24" DIA.
 4. THE BASIN SHALL BE SO LOCATED AND CONSTRUCTED THAT SURFACE WATER SHALL BE EXCLUDED.
 5. INLET PIPE SHALL BE AT LEAST FOUR INCHES ABOVE NORMAL WATER LINE.
 6. WHERE SUBJECT TO FROST OR CRUSHING CONDITIONS, OUTLET SHALL BE AT LEAST THREE FEET BELOW THE SURFACE.
 7. THE NEW BASIN MUST BE FILLED WITH CLEAN WATER BEFORE USING, AND AFTER BEING EMPTIED FOR PERIODIC CLEANING.
 8. ALL OIL AND GASOLINE MUST BE REMOVED BEFORE CLEANING OUT THE BASIN, AND MUST NOT BE DISCHARGED INTO THE SEWER THROUGH OTHER FIXTURES.
 9. SPECIFICATIONS FOR COVERING SPECIAL CASES OR CONDITIONS, SHALL BE APPROVED BY THE LOCAL AUTHORITIES.
 10. WROUGHT IRON STEPS SHALL BE SPACED ABOUT 18" APART.
 11. BOTH VENTS SHALL BE EXTENDED INDEPENDENTLY 18" ABOVE THE ROOF, OR AS APPROVED BY THE LOCAL AUTHORITIES. (Outlet pipe to be at 45 degree angle)

NOTES:
FOR INLETS LARGER THAN 10" THE DESIGN AND DIMENSIONS WILL BE DETERMINED FOR EACH PARTICULAR CASE PRE-CAST SEPARATORS ARE TO HAVE ALL SPECIFIED HOLES EITHER CORE-BORED OR CAST IN PLACE.

INLET	D	A	B	INLET	D	A	B
4"	3'-6" Ø	3'-0"	2'-6"	8"	5'-0" Ø	6'-0"	5'-0"
5"	3'-6" Ø	4'-0"	3'-0"	10"	5'-6" Ø	4'-6"	4'-0"
	4'-0" Ø	3'-8"	3'-0"		6'-0" Ø	4'-0"	3'-6"
	4'-0" Ø	3'-0"	2'-6"		6'-0" Ø	3'-0"	3'-6"
	4'-6"	3'-0"	2'-6"		6'-6" Ø	3'-0"	2'-6"
6"	4'-0" Ø	5'-0"	4'-6"		5'-6" Ø	7'-6"	6'-6"
	4'-0" Ø	4'-0"	3'-6"		6'-0" Ø	5'-6"	4'-6"
	4'-6" Ø	3'-6"	3'-6"		6'-0" Ø	6'-6"	5'-6"
	5'-0" Ø	3'-0"	2'-6"		6'-6" Ø	5'-0"	4'-0"



REV	DATE	DESCRIPTION	BY	APP	DRAWING TITLE	PROJECT	CLIENT	SCALE:	DATE:	DRAWN BY:	DESIGNED BY:	CHECKED BY:	APPROVED BY:	SHEET NO.	PROJECT NO.
10	03-10-20	GENERAL REVISIONS	JAG	RJR	SITE UTILITIES PLAN 250 BRIDGE STREET FAIRHAVEN, MASSACHUSETTS CARAPACE, LLC FAIRHAVEN, MASSACHUSETTS	250 BRIDGE STREET FAIRHAVEN, MASSACHUSETTS	CARAPACE, LLC FAIRHAVEN, MASSACHUSETTS	1" = 30'	APRIL 27, 2015	EKW/TRW	RJR	RJR	RJR	6	19830101
13	03-19-20	REVISED PLANNING SCHEDULE	SWL	RJR											
14	02-28-20	GENERAL REVISIONS	JAG	RJR											
13	02-14-20	GENERAL REVISIONS	JAG	RJR											
12	01-22-20	GENERAL REVISIONS	JAG	RJR											
11	01-19-20	ADDED EXISTING CATCH BASIN DETAIL	SWL	RJR											
10	01-01-20	GENERAL REVISIONS	JAG	RJR											
9	12-31-19	GENERAL REVISIONS	JAG	RJR											
8	10-31-19	GENERAL REVISIONS	JAG	RJR											
7	10-8-19	NEW WE TAND LINE/GENERAL REVISIONS	JAG	RJR											
6	7-16-19	NEW BUILDING FOOTPRINT/SITE LAYOUT	JAG	RJR											
5	6-24-19	NEW BUILDING FOOTPRINT/SITE LAYOUT	JAG	RJR											
4	4-26-19	NEW BUILDING FOOTPRINT/SITE LAYOUT	JAG	RJR											
3	9-4-15	GENERAL REVISIONS	TRW	RJR											
2	8-25-15	REVISIONS PER PLANNING BOARD	ERW	RJR											
1	7-10-15	GENERAL REVISIONS	ERW	RJR											

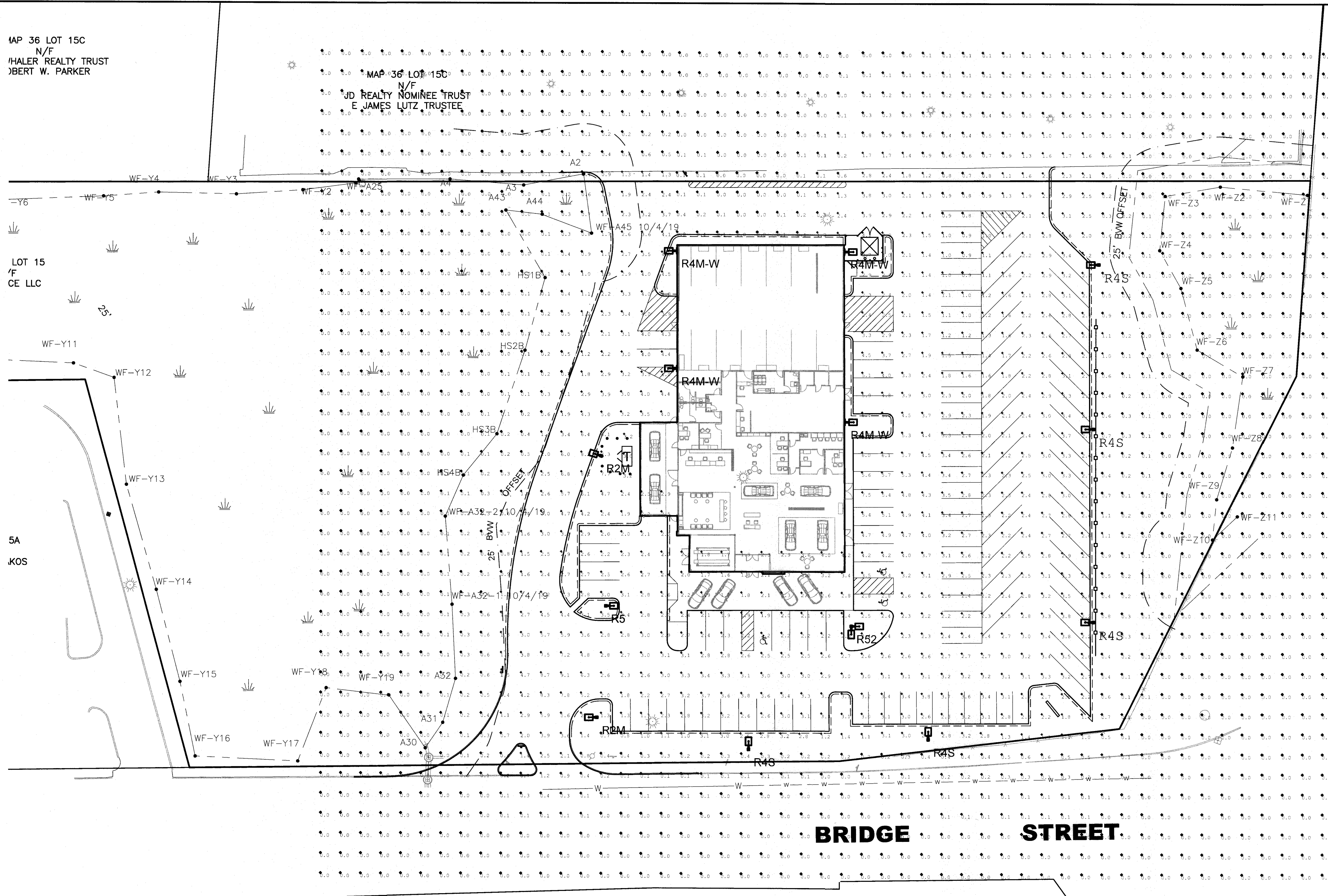
PRIME ENGINEERING
P.O. BOX 1088
380 BEDFORD ST.
LAKEVILLE, MA 02347
TEL: 508.947.0050
FAX: 508.947.0004

MAP 36 LOT 15C
N/F
HALER REALTY TRUST
BERT W. PARKER

MAP 36 LOT 15C
N/F
JD REALTY NOMINEE TRUST
E. JAMES LUTZ, TRUSTEE

LOT 15
F
CE LLC

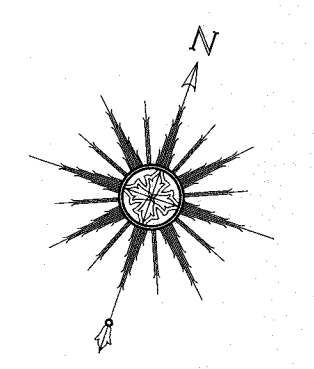
5A
KOS



ROUTE 240

BRIDGE STREET

Type	Symbol	Manufacturer / Catalog #	Description	Lamp Description	LLF	# of Type
R4S		U.S. ARCHITECTURAL LIGHTING (1)RZR-IV-80PLED-NW-1050-HS	Pole Mounted, 25' Above Grade. Type IV LED / Reflector Array Module (PLED). Full Cutoff, House-side Shield. Single Luminaire Pole. Orient as Shown In Plan.	80 Luxeon T LED Emitters at 1050mA Neutral White (4000K) 266 Input Watts	0.92	5 Tot.
R5		U.S. ARCHITECTURAL LIGHTING (1)RZR-V-SQ-80PLED-NW-1050	Pole Mounted, 25' Above Grade. Type V-SQ LED / Reflector Array Module (PLED). Full Cutoff. Single Luminaire Pole. Orient as Shown In Plan.	80 Luxeon T LED Emitters at 1050mA Neutral White (4000K) 266 Input Watts	0.92	1 Tot.
R52		U.S. ARCHITECTURAL LIGHTING (2)RZR-V-SQ-80PLED-NW-1050	Pole Mounted, 25' Above Grade. Type V-SQ LED / Reflector Array Module (PLED). Full Cutoff. Twin Luminaires @ 90°. Orient as Shown In Plan.	80 Luxeon T LED Emitters at 1050mA Neutral White (4000K) 266 Input Watts	0.92	1 Tot.
R2M		U.S. ARCHITECTURAL LIGHTING (1)RZR-M-II-48PLED-NW-1050	Pole Mounted, 15' Above Grade. Type II LED / Reflector Array Module (PLED). Full Cutoff. Single Luminaire Pole. Orient as Shown In Plan.	48 Luxeon T LED Emitters at 1050mA Neutral White (4000K) 150 Input Watts	0.92	2 Tot.
R4M-W		U.S. ARCHITECTURAL LIGHTING RZR-M-IV-48PLED-NW-1050-WM	Wall Mounted, 20' Above Grade. Type IV LED / Reflector Array Module (PLED). Full Cutoff. Single Luminaire. Orient as Shown In Plan.	48 Luxeon T LED Emitters at 1050mA Neutral White (4000K) 150 Input Watts	0.92	4 Tot.



0 30' 60'
SCALE: 1" = 30'

REV.	DATE	DESCRIPTION	BY	APP.
16	05-10-20	GENERAL REVISIONS	JAG	RJR
15	03-06-20	REVISED PLANNING SCHEDULE	SJAL	RJR
14	02-28-20	GENERAL REVISIONS	JAG	RJR
13	02-14-20	GENERAL REVISIONS	JAG	RJR
12	01-22-20	GENERAL REVISIONS	JAG	RJR
11	01-10-20	ADDED EXISTING CATCH BASIN DETAIL	SJAL	RJR
10	01-01-20	GENERAL REVISIONS	JAG	RJR
9	12-3-19	GENERAL REVISIONS	JAG	RJR
8	10-31-19	GENERAL REVISIONS	JAG	RJR
7	10-8-19	NEW WETLAND LINE/GENERAL REVISIONS	JAG	RJR
6	7-16-19	NEW BUILDING FOOTPRINT/SITE LAYOUT	JAG	RJR
5	6-24-19	NEW BUILDING FOOTPRINT/SITE LAYOUT	JAG	RJR
4	4-26-19	NEW BUILDING FOOTPRINT/SITE LAYOUT	JAG	RJR
3	4-4-15	GENERAL REVISIONS	TRW	RJR
2	8-25-15	REVISIONS PER PLANNING BOARD	EKW	RJR
1	7-10-15	GENERAL REVISIONS	ERW	RJR

DRAWING TITLE
LIGHTING PLAN

PROJECT
**250 BRIDGE STREET
FAIRHAVEN, MASSACHUSETTS**

CLIENT
**CARAPACE, LLC
FAIRHAVEN, MASSACHUSETTS**

SCALE: 1" = 30'

DATE: APRIL 27, 2015

DRAWN BY: EKW/TRW

DESIGNED BY: RJR

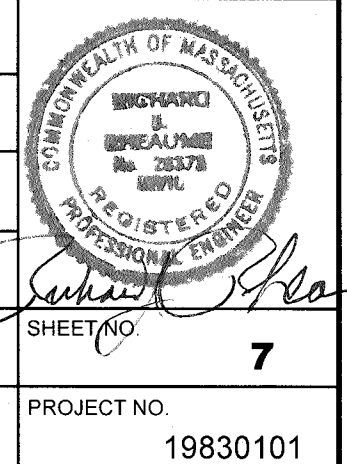
CHECKED BY: RJR

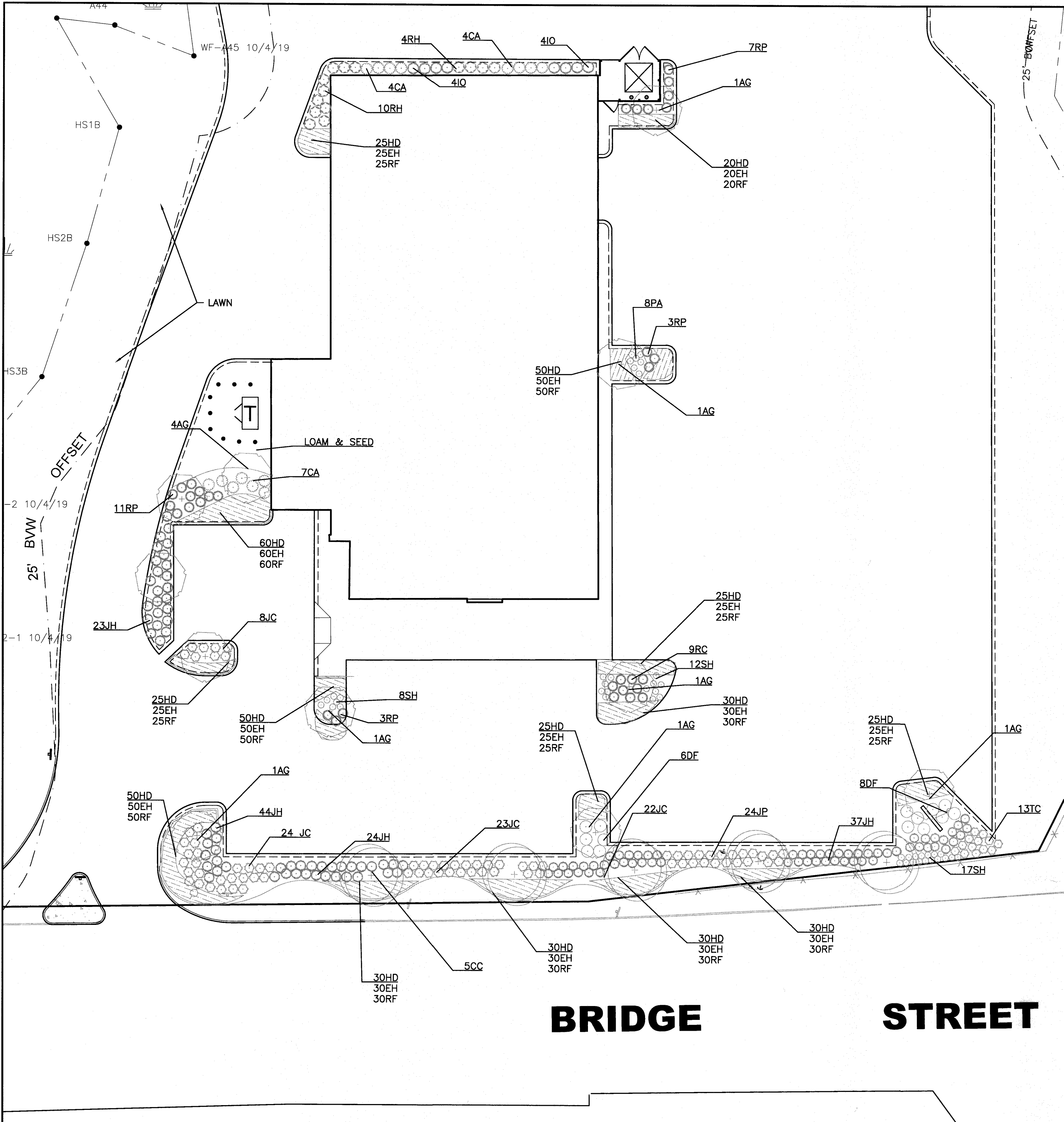
APPROVED BY: RJR

SHEET NO. **7**

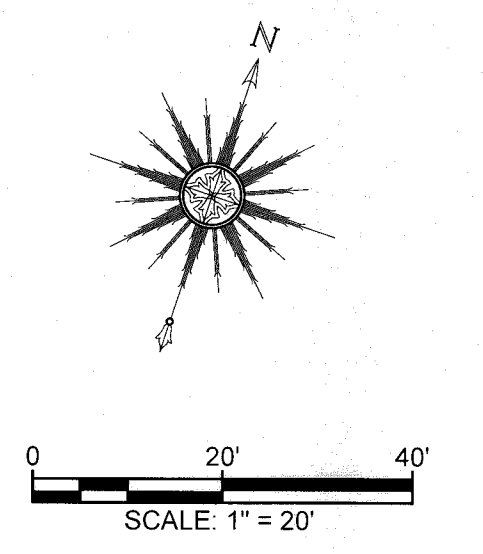
PROJECT NO. 19830101

PRIME ENGINEERING
P.O. BOX 1088
350 BEDFORD ST.
LAKEVILLE, MA 02347
TEL: 508.947.0050
FAX: 508.947.2004





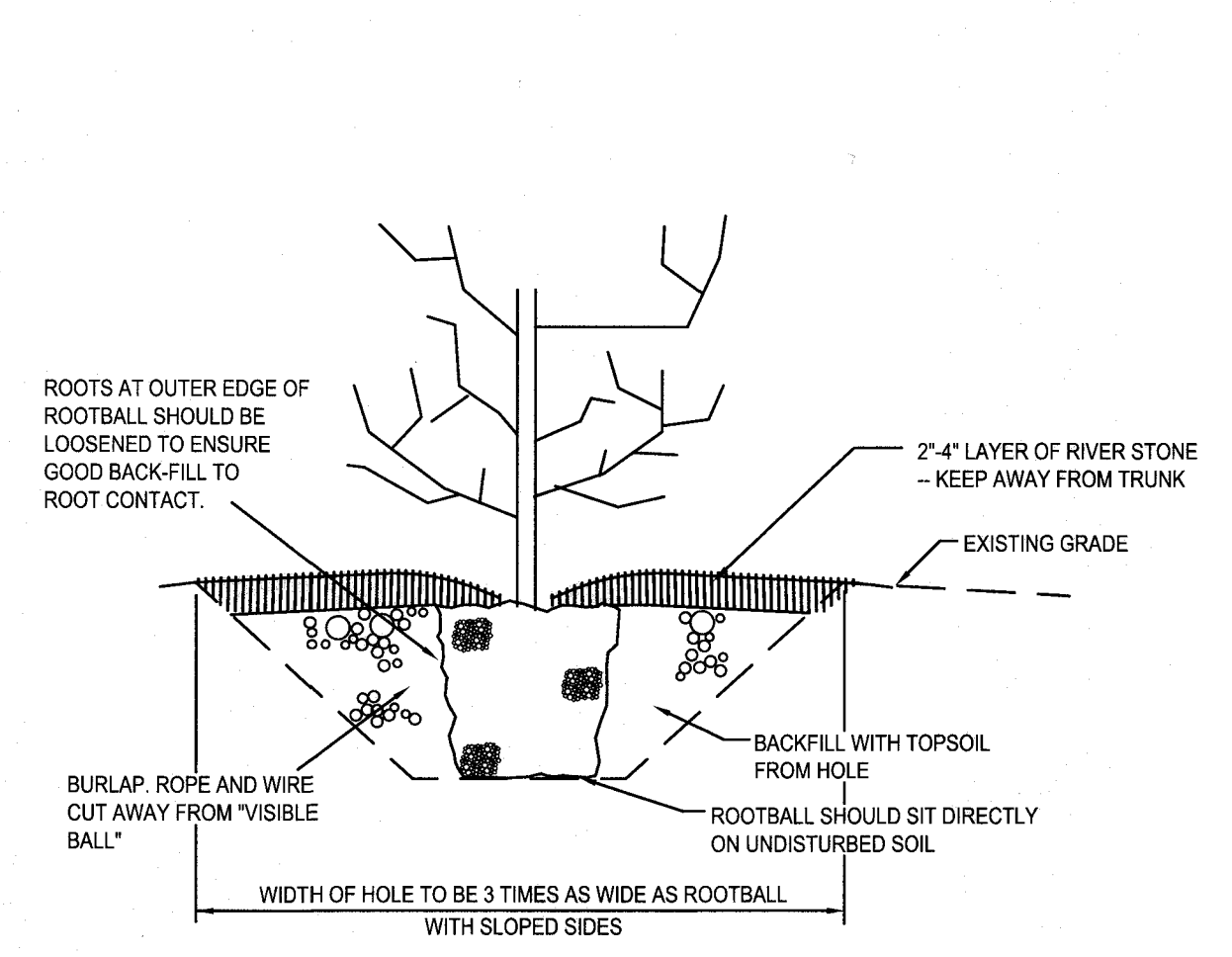
BRIDGE STREET



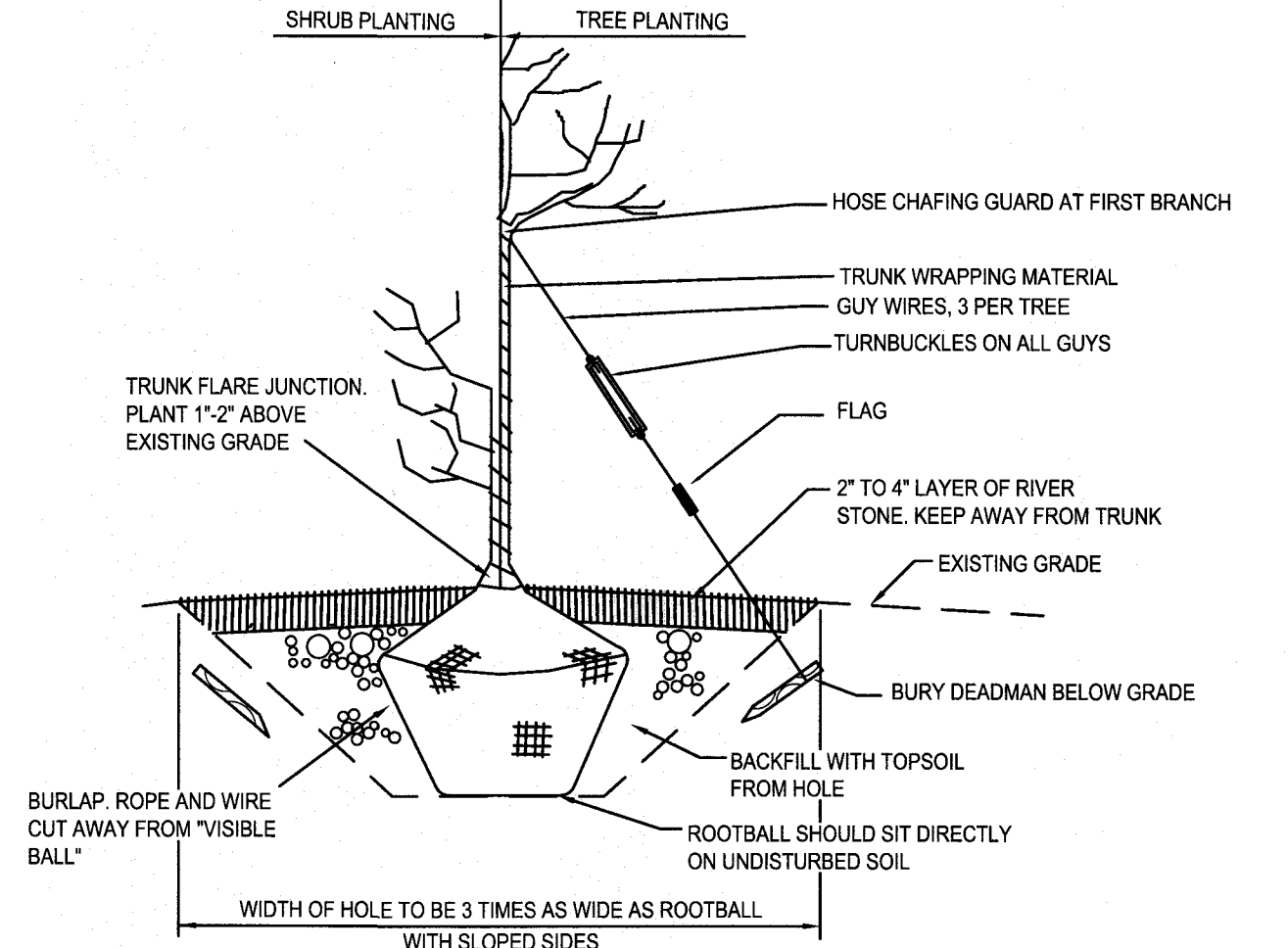
PLANTING SCHEDULE

TREES									
SYMBOL	QTY.	BOTANICAL NAME	COMMON NAME	MIN. SIZE.	SPACING	MATURE HEIGHT	MATURE WIDTH		
CC	5	CERCIS CANADENSIS	EASTERN REDBUD	2"-2.5" CAL	B&B	30'	25'		
AG	11	AMELANCHIER X GRANDIFLORA 'AUTUMN BRILLIANCE'	AUTUMN BRILLIANCE SERVICEBERRY	7'-8' HT.	B&B	25'	25'		
SHRUBS									
TC	13	TAXUS CANADENSIS	CANADA YEW	5 GAL.	AS SHOWN				
CA	15	CLETHRA ALNIFOLIA 'RUBY SPICE'	RUBY SPICE SUMMERSWEET	18"-24" HEIGHT PLANT	AS SHOWN				
IO	8	ILEX OPACA	AMERICAN HOLLY	#5 POT PLANT	AS SHOWN				
JH	120	JUNIPERUS HORIZONTALIS 'BAR HARBOR'	BAR HARBOR JUNIPER	#3 POT PLANT	AS SHOWN				
JC	78	JUNIPERUS COMMUNIS 'REPANDA'	REPANDA JUNIPER	#5 POT PLANT	AS SHOWN				
RH	14	RHODODENDRON 'HENRY'S RED'	HENRY'S RED RHODODENDRON	18"-24" HEIGHT	AS SHOWN				
RP	21	RHODODENDRON 'PURPLE GEM'	PURPLE GEM RHODODENDRON	#3 POT PLANT	AS SHOWN				
RC	9	ROSA CAROLINA	CAROLINA ROSE	1 GAL.	AS SHOWN				
DF	14	DASIPHORA FLORIBUNDA	SHRUBBY CINQUEFOIL	1 GAL.	AS SHOWN				
PERENNIALS									
HD	535	HELIANTHUS DIVARICATUS	WOODLAND SUNFLOWER	QUART	18" ON CENTER				
EH	485	EUPATORIUM HYSSOPIFOLIUM	HYSSOP LEAVED BONESET	QUART	18" ON CENTER				
SH	46	SPOROBOLUS HETEROLEPIS	PRARIE DROPSEED	3" POT PLANT	PLANT 2' ON CENTER				
RF	555	RUDBECKIA FULGIDA "GOLDSTURM"	GOLDSTURM BLACK-EYED SUSAN	#1 POT PLANT	18" ON CENTER				

- NOTES:
1. PLANT SPECIES, CULTIVARS, SIZES, AND LOCATIONS SHALL NOT BE CHANGED EXCEPT BY PERMISSION OF THE LANDSCAPE DESIGNER.
 2. ALL BARE SOIL AREAS THAT ARE NOT DESIGNATED AS PLANT BEDS SHALL BE SEEDED WITH COMMERCIAL GRADE LAWN MIX.



CONTAINER GROWN SHRUB AND TREE PLANTING DETAIL
NOT TO SCALE



B&B TREE AND SHRUB PLANTING DETAIL
NOT TO SCALE

REV	DATE	DESCRIPTION	BY	APP.
16	03-10-20	GENERAL REVISIONS	JAG	RJR
15	03-02-20	REVISED PLANTING SCHEDULE	SVL	KJR
14	02-28-20	GENERAL REVISIONS	JAG	RJR
13	02-14-20	GENERAL REVISIONS	JAG	RJR
12	01-22-20	GENERAL REVISIONS	JAG	RJR
11	01-10-20	ADDED EXISTING CATCH BASIN DETAIL	SVL	KJR
10	01-01-20	GENERAL REVISIONS	JAG	RJR
9	12-3-19	GENERAL REVISIONS	JAG	RJR
8	10-31-19	GENERAL REVISIONS	JAG	RJR
7	10-8-19	NEW WETLAND LINE GENERAL REVISIONS	JAG	RJR
6	7-16-19	NEW BUILDING FOOTPRINT/SITE LAYOUT	JAG	RJR
5	6-24-19	NEW BUILDING FOOTPRINT/SITE LAYOUT	JAG	RJR
4	4-26-19	NEW BUILDING FOOTPRINT/SITE LAYOUT	JAG	RJR
3	9-4-15	GENERAL REVISIONS	TRW	KJR
2	8-25-15	REVISIONS PER PLANNING BOARD	EKW	RJR
1	7-10-15	GENERAL REVISIONS	EKW	RJR

LANDSCAPE PLAN

250 BRIDGE STREET
FAIRHAVEN, MASSACHUSETTS

CARAPACE, LLC
FAIRHAVEN, MASSACHUSETTS

CLIENT: CARAPACE, LLC

SCALE: 1" = 20'

DATE: APRIL 27, 2015

DRAWN BY: EKW/TRW

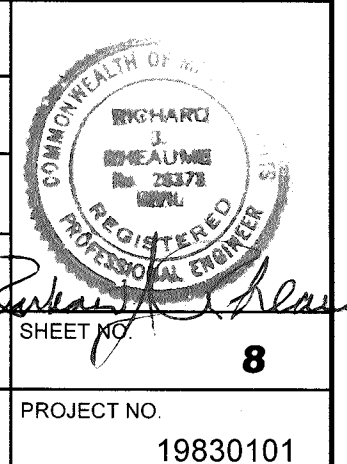
DESIGNED BY: RJR

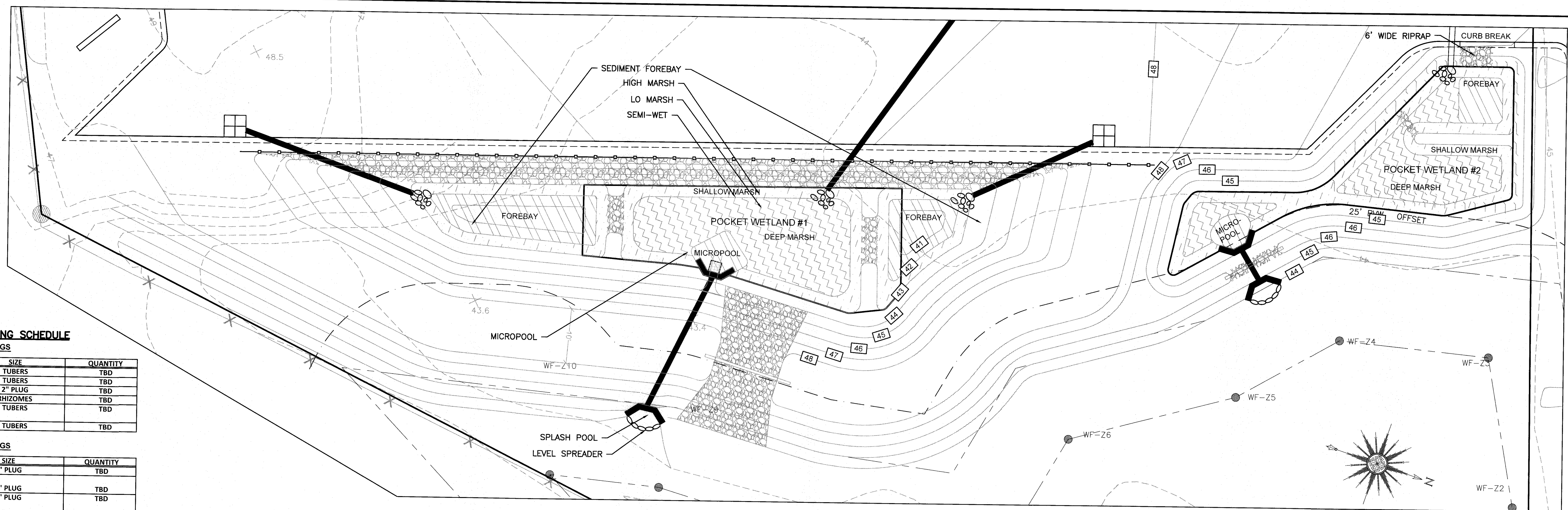
CHECKED BY: RJR

APPROVED BY: RJR

PROJECT NO: 19830101

PRIME ENGINEERING
P.O. BOX 1088
350 BEEFORD ST.
LAKEVILLE, MA 02347
TEL: 508.947.0050
FAX: 508.947.2004





DETENTION BASIN PLANTING SCHEDULE
LOW MARSH PLANTINGS

BOTANICAL NAME	COMMON NAME	SIZE	QUANTITY
NUPHAR LUTEUM	YELLOW WATER LILY	TUBERS	TBD
NYMPHAEA ODORATA	WHITE WATER LILY	TUBERS	TBD
PONTERERIA CORDATA	PICKEREL WEED	2" PLUG	TBD
POTAMOGETON NODOSUS	LONG LEAF PONDWEED	RHIZOMES	TBD
POTAMOGETON	SAGO PONDWEED	TUBERS	TBD
PECTINATUS			
VALLISNERIA AMERICANA	WILD CELERY	TUBERS	TBD

HIGH MARSH PLANTINGS

BOTANICAL NAME	COMMON NAME	SIZE	QUANTITY
ACORUS AMERICANA	SWEET FLAG	2" PLUG	TBD
ALISMA SUBCORDATUM	AMERICAN WATER PLANTAIN	2" PLUG	TBD
SYMPHYOTRICHUM PUNICELUM	PURPLESTEM ASTER	2" PLUG	TBD
CALAMAGROSTIS CANADENSIS	BLUE JOINT GRASS	2" PLUG	TBD
CAREX COMOSA	BEARDED SEDGE	2" PLUG	TBD
CAREX STRICTA	TUSsock SEDGE	2" PLUG	TBD

SEMI WET PENINSULAS SHALL BE PLANTED WITH NEW ENGLAND WETMIX BY NEW ENGLAND WETLAND PLANS, INC., OR APPROVED EQUAL, AT A RATE OF ONE POUND PER 1250 SQUARE FEET.

CONSTRUCTED POCKET WETLANDS
SCALE: 1"=10'

DETENTION BASIN/POCKET WETLAND #1 CALCULATIONS

AREA REQUIREMENTS (SQ. FT.)	AREA PROVIDED (OUT OF 1,036 SQ. FT.)
SEMI-WET AREA = 5% (52 SQ. FT.)	SEMI-WET AREA = 52 SQ. FT.
HIGH MARSH ZONE = 40% (414 SQ. FT.)	HIGH MARSH ZONE = 414 SQ. FT.
LOW MARSH ZONE = 45% (466 SQ. FT.)	LOW MARSH ZONE = 466 SQ. FT.
DEEP WATER ZONE = 10%	DEEP WATER ZONE = 104 SQ. FT.
FOREBAY = 5% (52 SQ. FT.)	FOREBAY = 52 SQ. FT.
MICROPOOL = 5% (52 SQ. FT.)	MICROPOOL = 52 SQ. FT.

CONSTRUCTED POCKET WETLANDS #2 CALCULATIONS

AREA REQUIREMENTS (SQ. FT.)	AREA PROVIDED (OUT OF 890 SQ. FT.)
SEMI-WET AREA = 5% (45 SQ. FT.)	SEMI-WET AREA = 44.5 SQ. FT.
HIGH MARSH ZONE = 40% (330 SQ. FT.)	HIGH MARSH ZONE = 356 SQ. FT.
LOW MARSH ZONE = 45% (374 SQ. FT.)	LOW MARSH ZONE = 400.5 SQ. FT.
DEEP WATER ZONE = 10%	DEEP WATER ZONE = 89 SQ. FT.
FOREBAY = 5% (42 SQ. FT.)	FOREBAY = 44.5 SQ. FT.
MICROPOOL = 5% (42 SQ. FT.)	MICROPOOL = 44.5 SQ. FT.

FOREBAY SIZING CALCULATIONS

DETENTION BASIN/CONSTRUCTED POCKET WETLAND #1:
CONTRIBUTING IMPERVIOUS AREA:
FOREBAY 1= 21,095 SQ. FT., FOREBAY 2=10,315 SQ. FT.

(21,095 SQ. FT.) X (0.25 IN.) X (1 FT./12 IN.) = 439 CU. FT.
(10,315 SQ. FT.) X (0.25 IN.) X (1 FT./12 IN.) = 215 CU. FT.

TOTAL VOLUME PROVIDED:

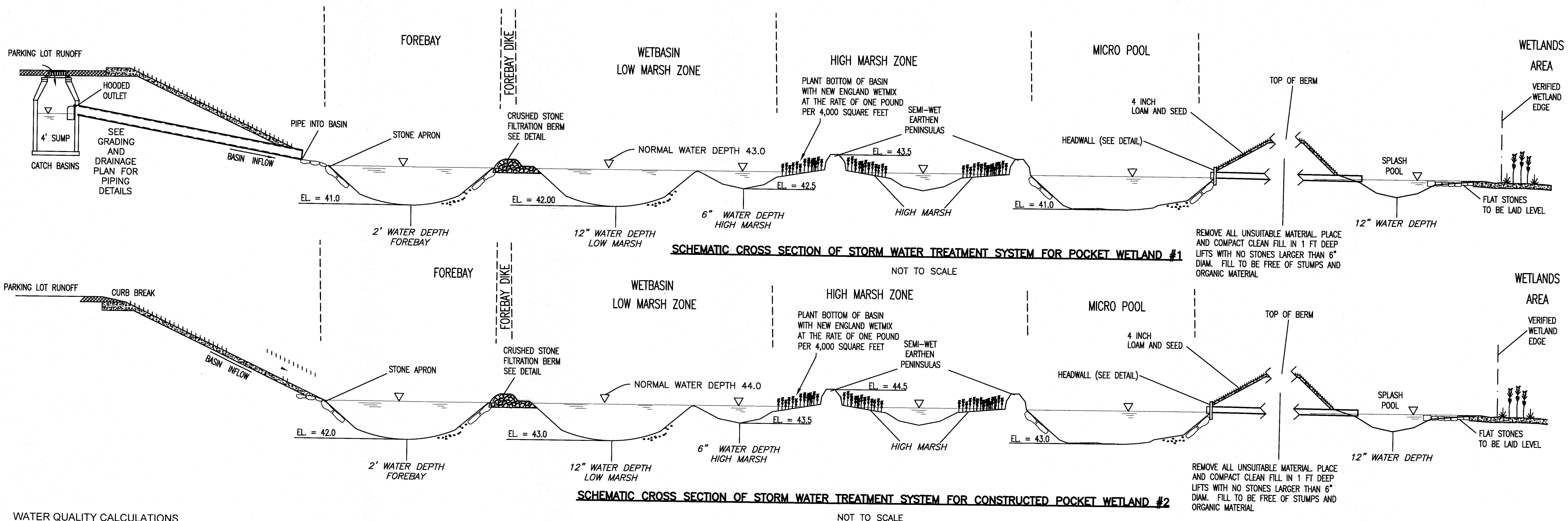
FOREBAY 1: 222 SQ. FT. X 2' DEPTH = 444 CU. FT.
FOREBAY 2: 130 SQ. FT. X 2' DEPTH = 260 CU. FT.

CONSTRUCTED POCKET WETLAND #2:

CONTRIBUTING IMPERVIOUS AREA:
(6,336 SQ. FT.) X (0.25 IN.) X (1 FT./12 IN.) = 132 CU. FT.

TOTAL VOLUME PROVIDED:

FOREBAY 3: 66 SQ. FT. X 2' DEPTH = 132 CU. FT.



WATER QUALITY CALCULATIONS

REQUIRED
21,095 + 10,315 + 6,336 = 37,746 SQ. FT.*
*NUMBER DOES NOT INCLUDE ROOF AREA AS IT DOES NOT CONTRIBUTE SIGNIFICANT TSS
37,746 SQ. FT. X 1.25 IN. X 1 FT./12 IN. = 3,932 CU. FT.

THAT FIRST FLUSH VOLUME WILL BE ROUTED THROUGH THE CONSTRUCTED POCKET WETLANDS.

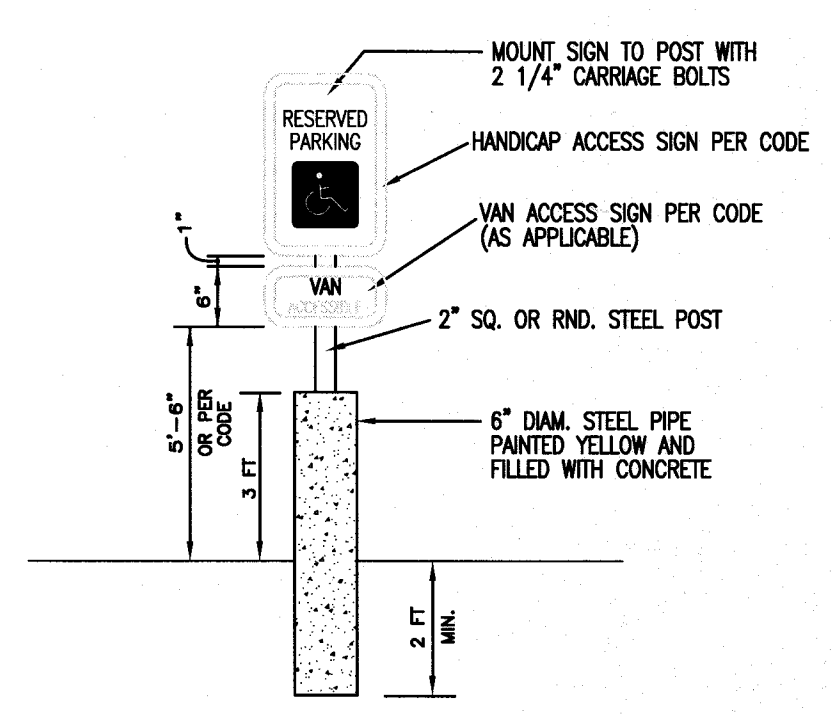
FEATURE	REQUIRED %	% OF VOL. STORED
FOREBAY	5%	54%
HIGH MARSH	25%	25%
LOW MARSH	55%	57%
MICROPOOL	5%	6%

REV	DATE	DESCRIPTION	BY	APP.
16	03-10-20	GENERAL REVISIONS	JAG	RJR
15	03-04-20	REVISED PLANTING SCHEDULE	SWL	RJR
14	02-26-20	GENERAL REVISIONS	JAG	RJR
13	02-14-20	GENERAL REVISIONS	JAG	RJR
12	01-22-20	GENERAL REVISIONS	JAG	RJR
11	01-10-20	ADDED EXISTING CATCH BASIN DETAIL	SWL	RJR
10	01-01-20	GENERAL REVISIONS	JAG	RJR
9	12-31-19	GENERAL REVISIONS	JAG	RJR
8	10-31-19	GENERAL REVISIONS	JAG	RJR
7	10-08-19	NEW WETLAND LINE/ GENERAL REVISIONS	JAG	RJR
6	7-16-19	NEW BUILDING FOOTPRINT/SITE LAYOUT	JAG	RJR
5	6-24-19	NEW BUILDING FOOTPRINT/SITE LAYOUT	JAG	RJR
4	4-26-19	NEW BUILDING FOOTPRINT/SITE LAYOUT	JAG	RJR
3	8-4-15	GENERAL REVISIONS	TRW	RJR
2	8-25-15	REVISIONS PER PLANNING BOARD	EKW	RJR
1	7-10-15	GENERAL REVISIONS	EKW	RJR

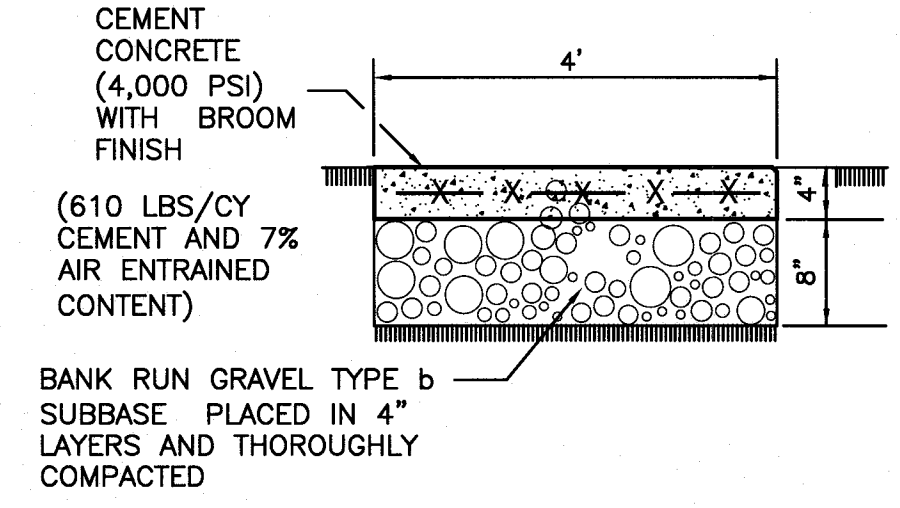
DRAWING TITLE	SCALE	
PROJECT	DATE	
CLIENT	DESIGNED BY	
	CHECKED BY	
	APPROVED BY	PROJECT NO.
		19830101

CONSTRUCTED WETLAND PLAN
250 BRIDGE STREET
FAIRHAVEN, MASSACHUSETTS
CARAPACE, LLC
FAIRHAVEN, MASSACHUSETTS

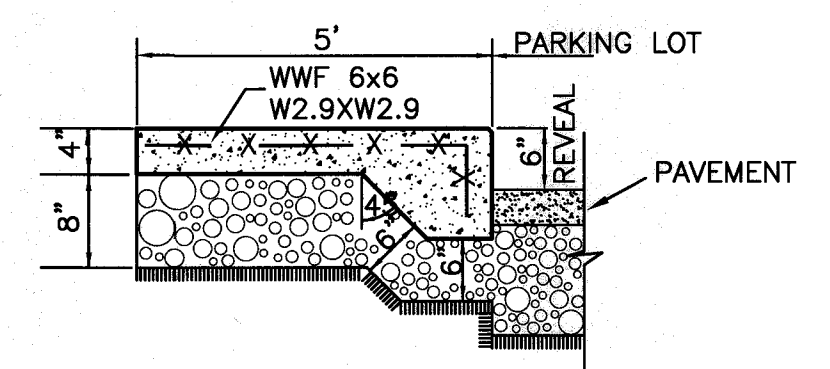
PRIME ENGINEERING
330 BEDFORD ST.
LAKEVILLE, MA 02347
TEL: 508.947.0050
FAX: 508.947.0004



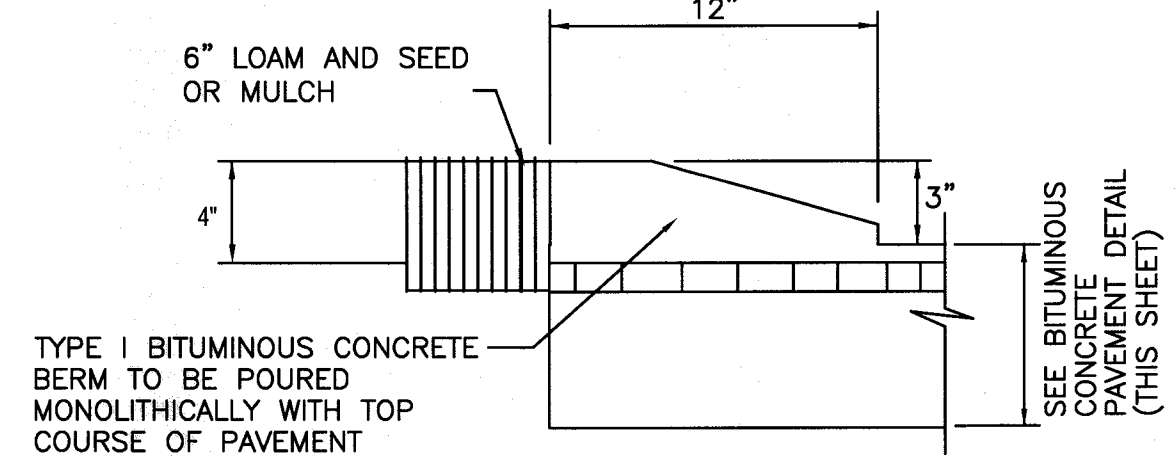
HANDICAP SIGN DETAIL
NOT TO SCALE



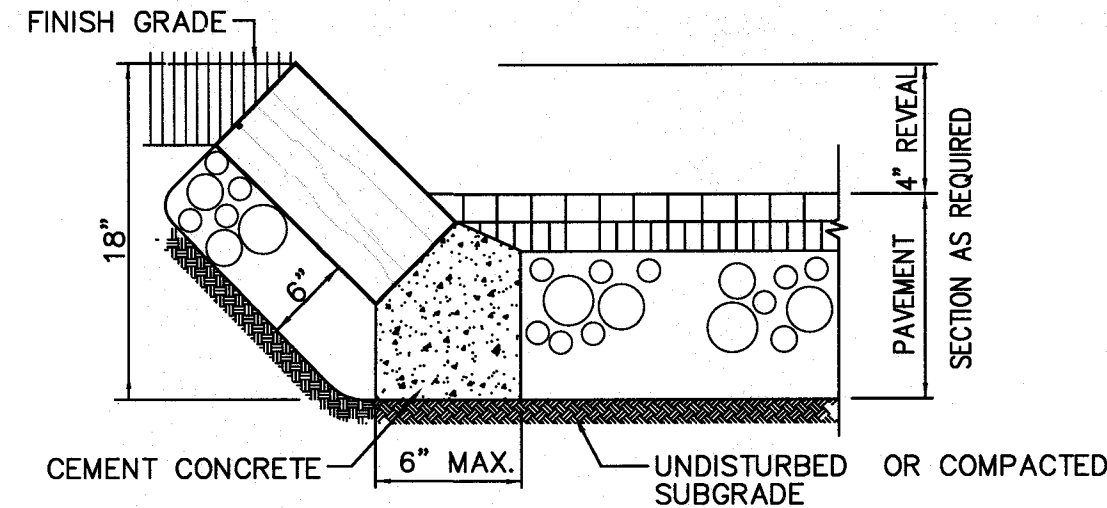
CONCRETE SIDEWALK
(TO BE USED WHEN SIDEWALK DOES NOT ADJOIN PARKING SPACES)
NOT TO SCALE



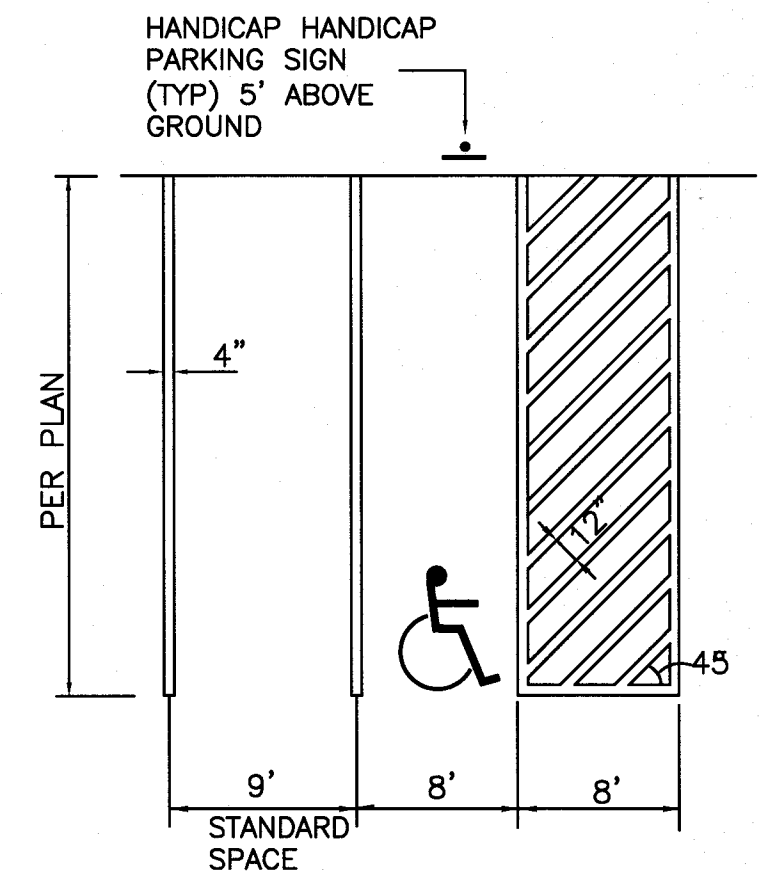
CONCRETE WALK
(WITH THICKENED EDGE AT PAVEMENT)
NOT TO SCALE



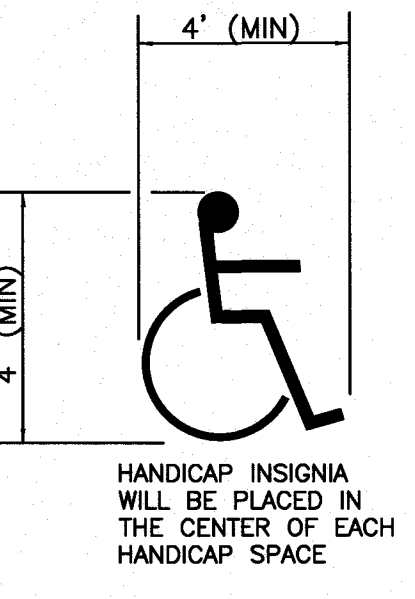
CAPE COD BERM DETAIL
NOT TO SCALE



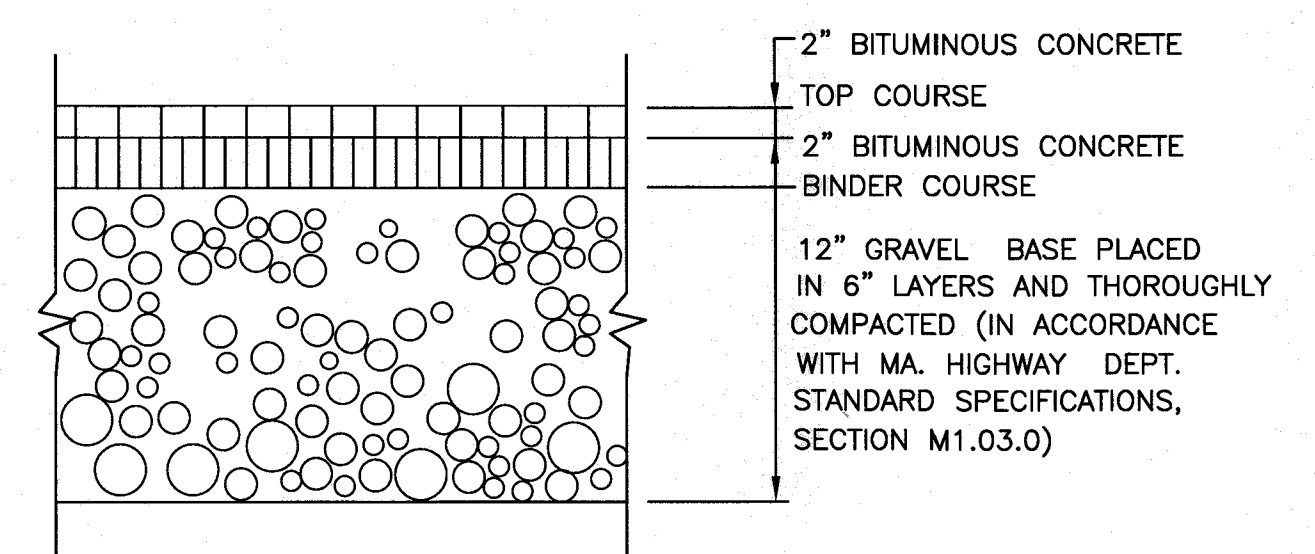
SLOPED GRANITE CURB
NOT TO SCALE



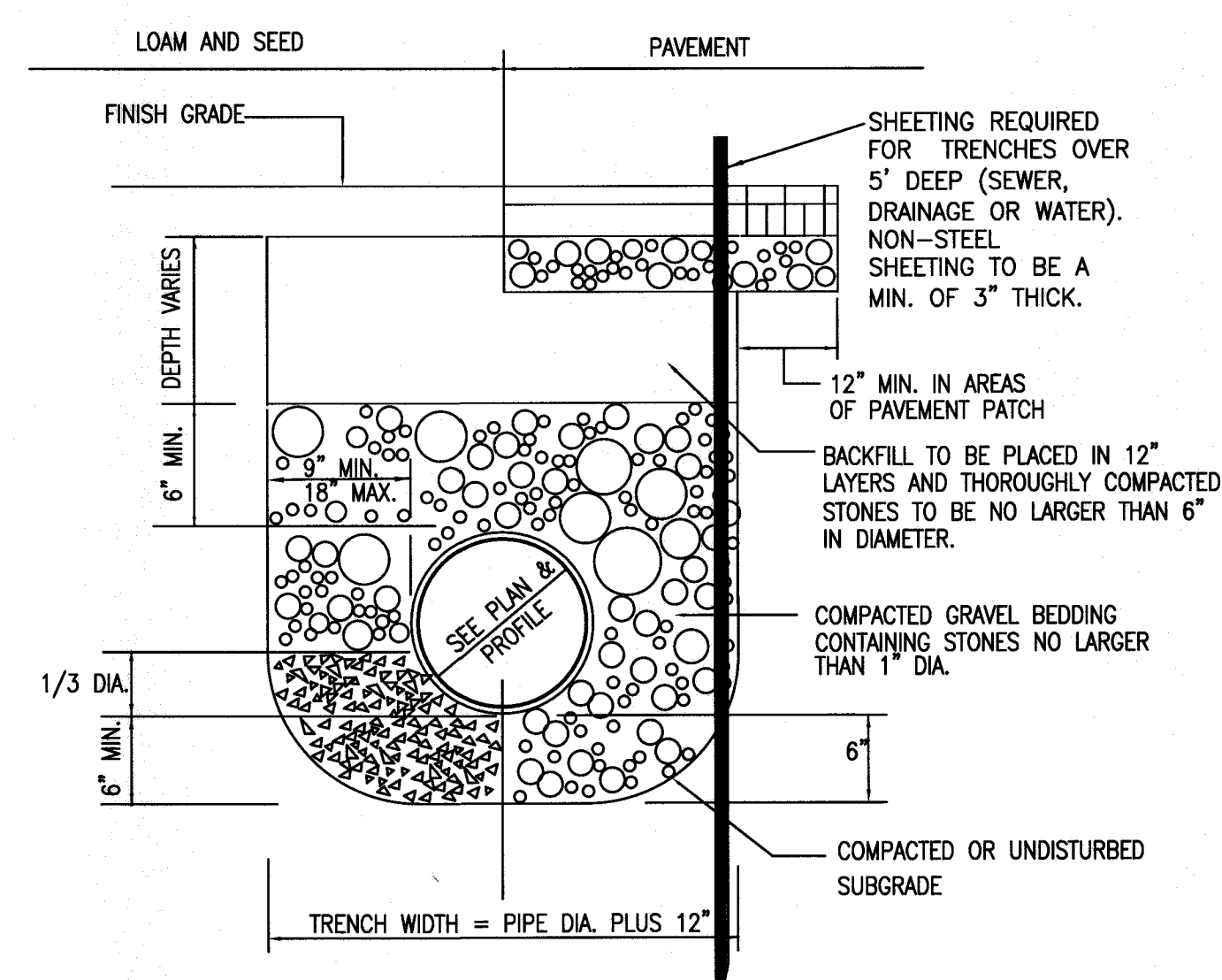
PARKING STALL LAYOUT



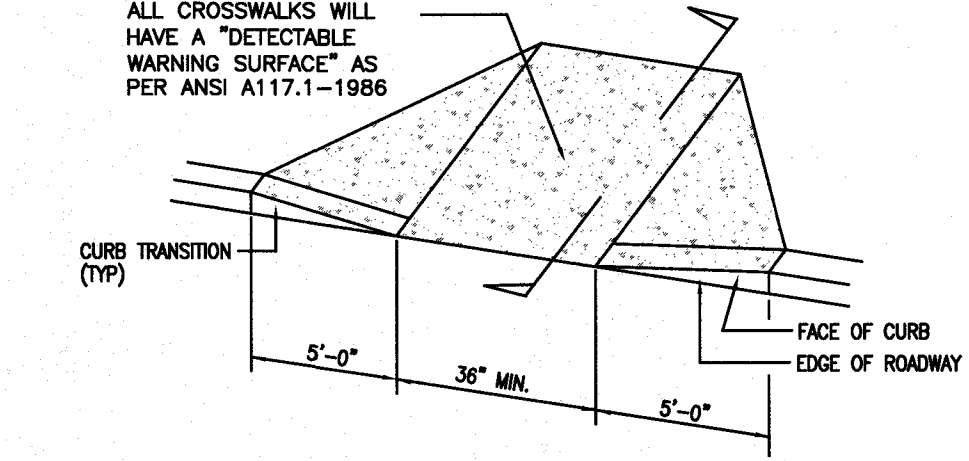
HANDICAP PARKING SPACE PAVEMENT MARKING



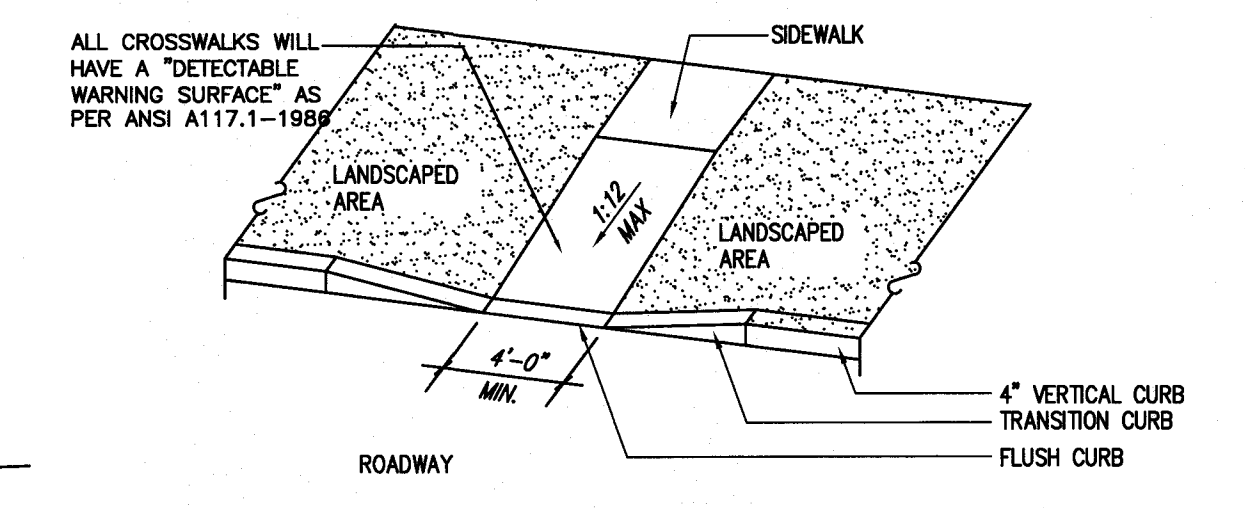
STANDARD DUTY BITUMINOUS CONCRETE PAVEMENT
NOT TO SCALE



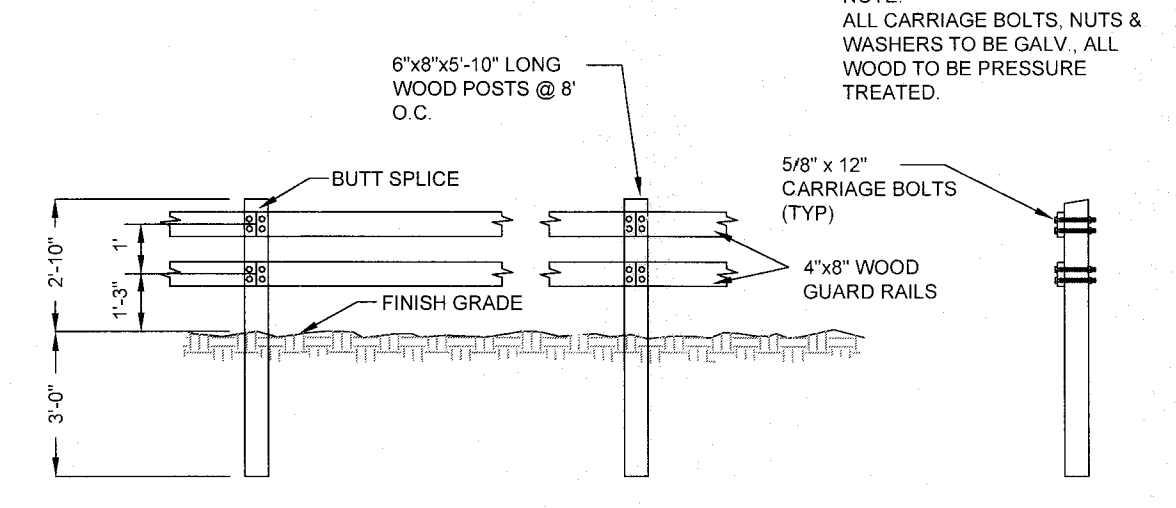
PIPE TRENCH DETAIL
NOT TO SCALE



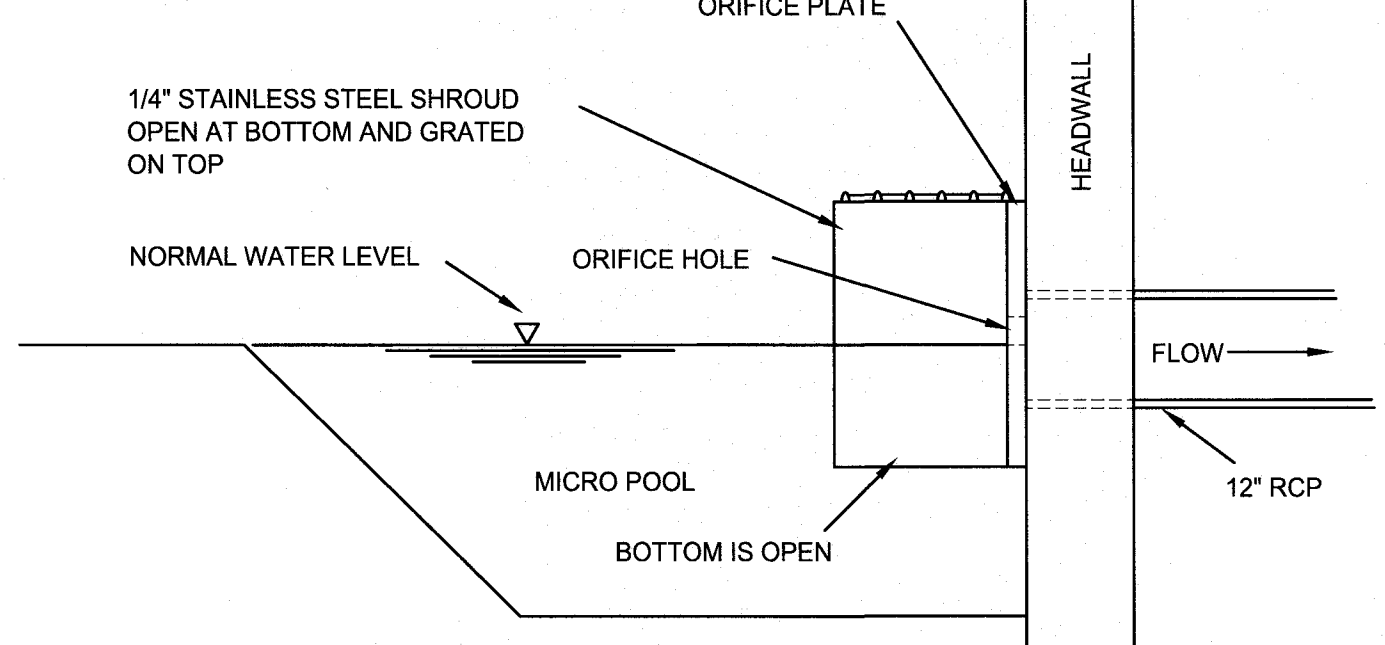
HANDICAP RAMP TYPE A
NOT TO SCALE



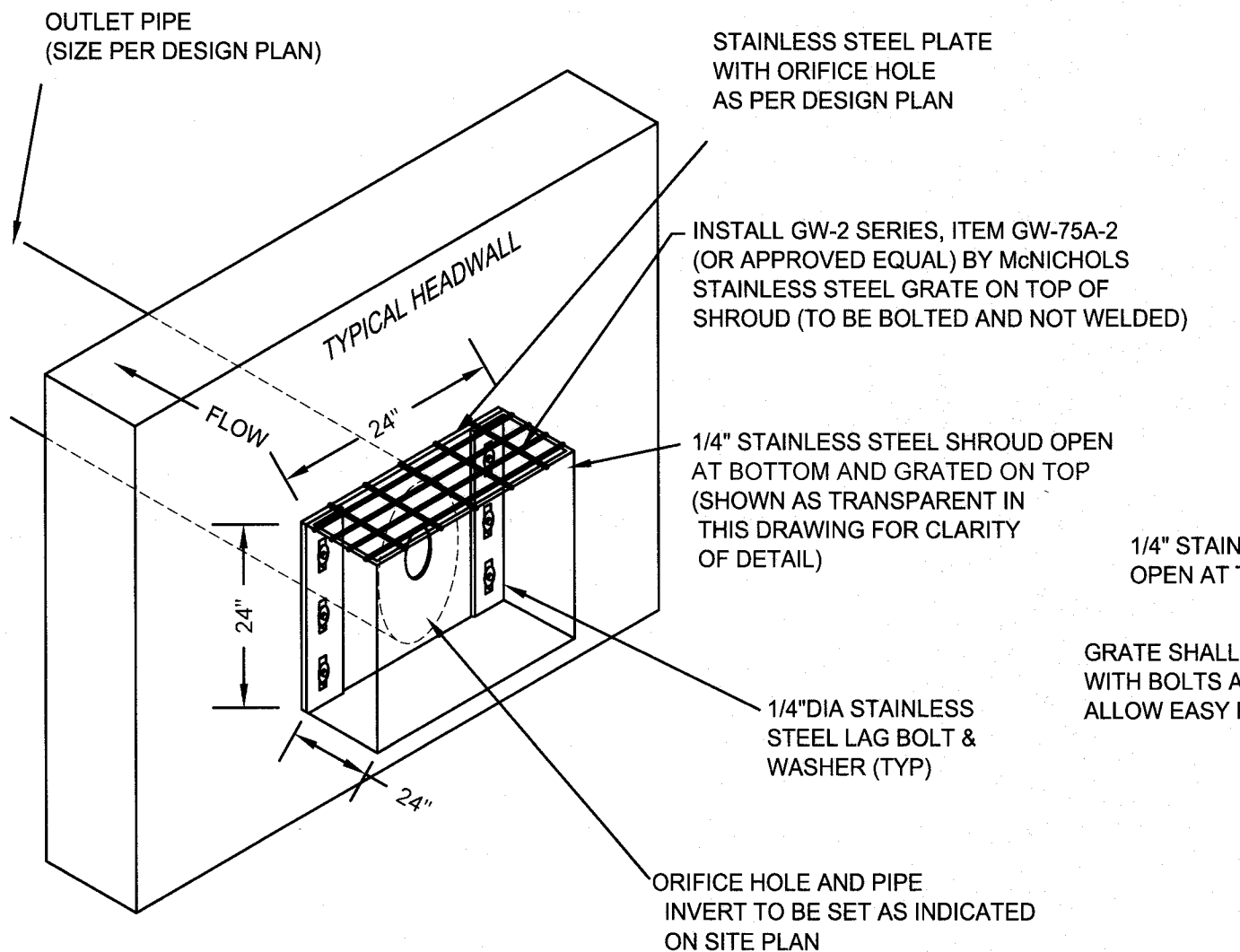
HANDICAP RAMP TYPE B
NOT TO SCALE



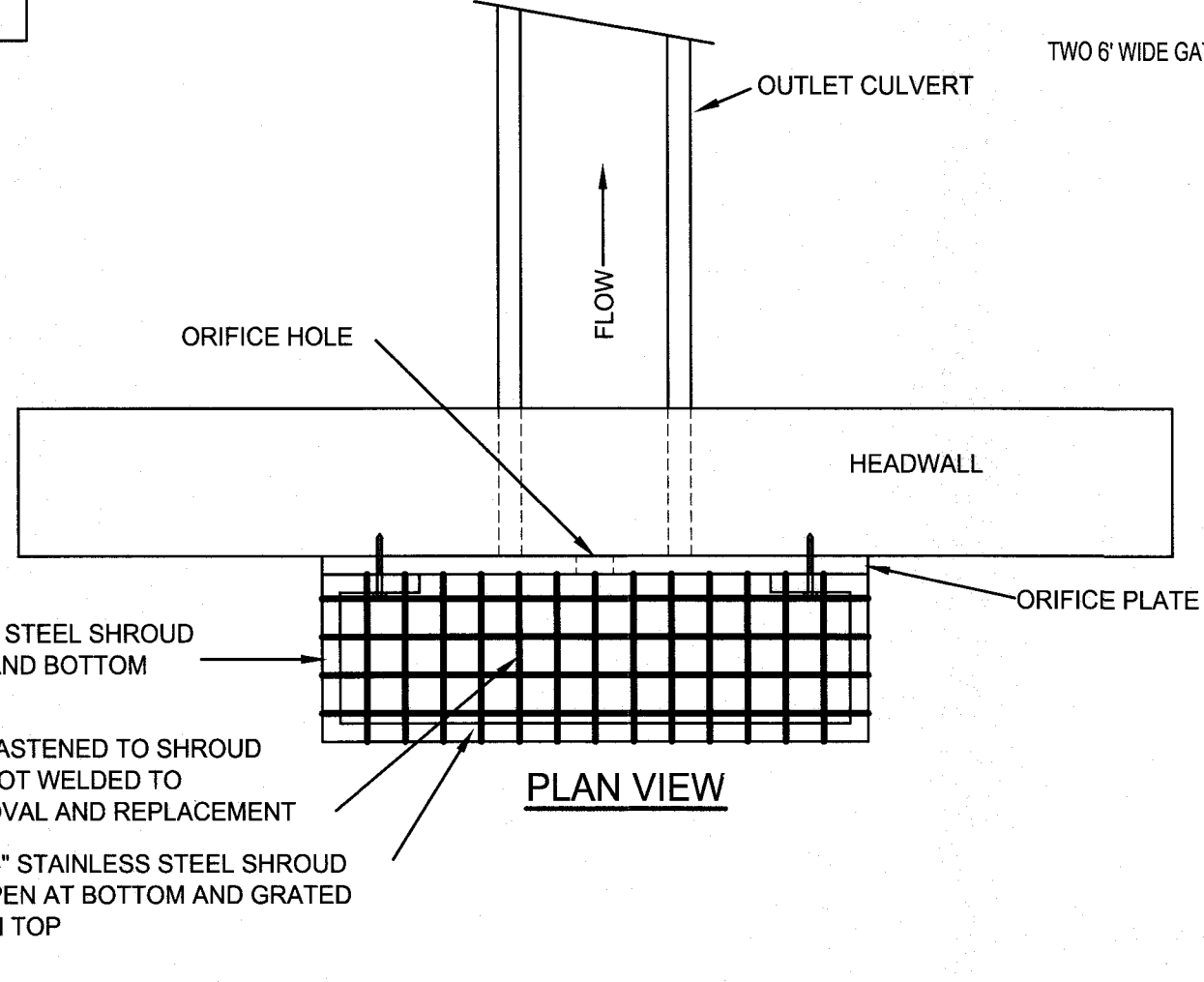
TYPICAL WOOD GUARD RAIL DETAILS
NOT TO SCALE



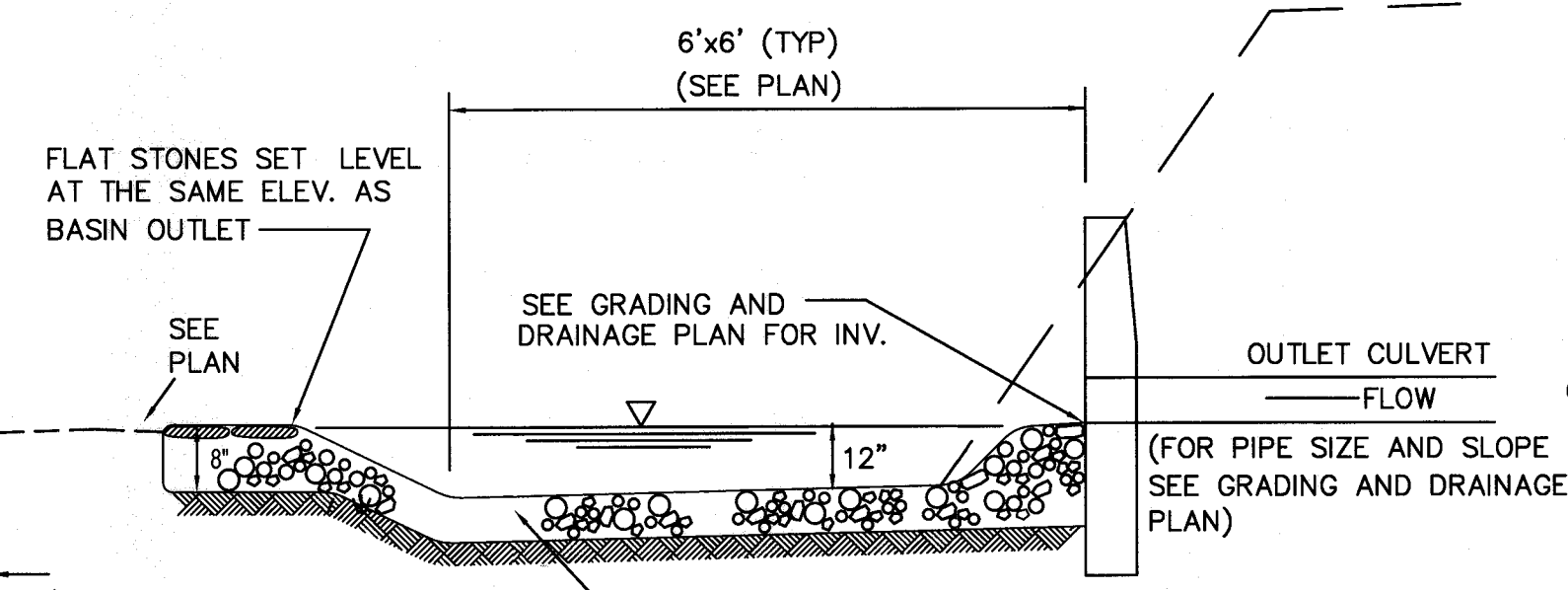
SIDE VIEW



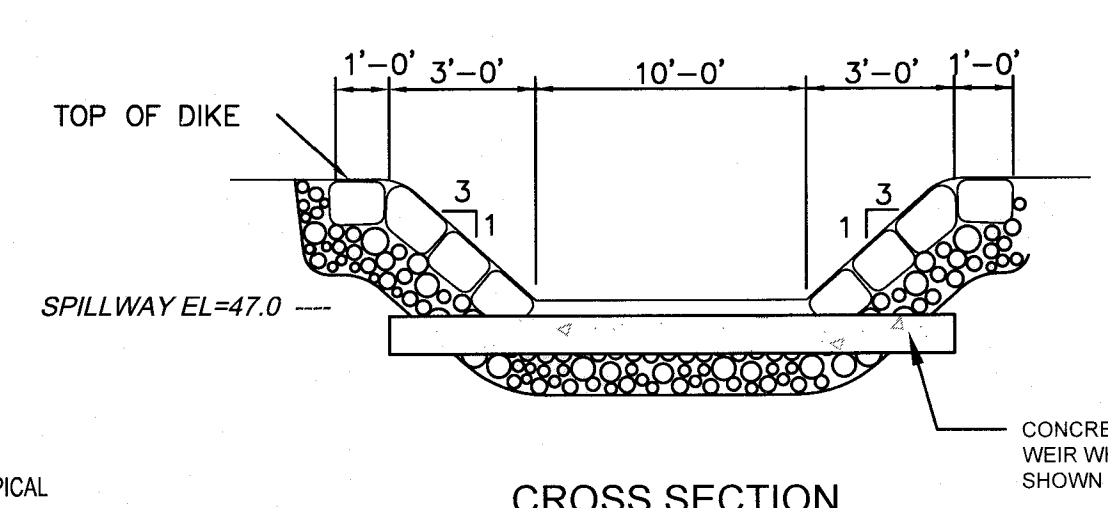
HEADWALL WITH ORIFICE PLATE
NOT TO SCALE



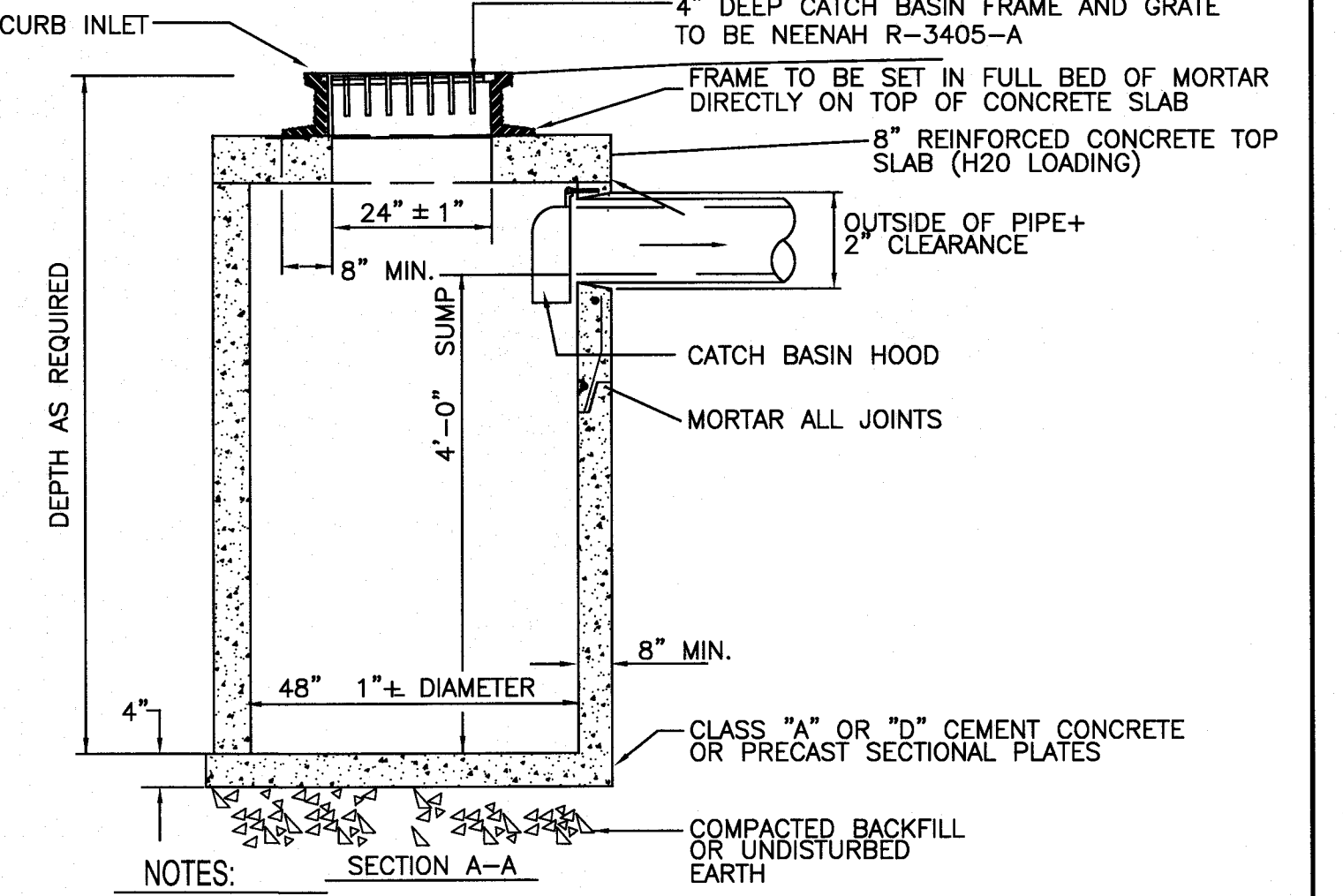
DUMPSTER ENCLOSURE
NOT TO SCALE



SPLASH POOL
NOT TO SCALE



CROSS SECTION PROFILE OF SPILLWAY
NOT TO SCALE



TYPICAL FLAT TOP CATCH BASIN
NOT TO SCALE

NOTES: 1. CATCH BASIN HOOD SHALL BE INSTALLED ON OUTLET PIPE.

REV	DATE	DESCRIPTION	BY	APP
06	03-10-20	GENERAL REVISIONS	JAG	RJR
15	03-6-20	REVISED PLANTING SCHEDULE	SWL	RJR
14	02-28-20	GENERAL REVISIONS	JAG	RJR
13	02-14-20	GENERAL REVISIONS	JAG	RJR
12	01-22-20	GENERAL REVISIONS	JAG	RJR
11	01-10-20	ADDED EXISTING CATCH BASIN DETAIL	JAG	RJR
10	01-01-20	GENERAL REVISIONS	SWL	RJR
9	12-31-19	GENERAL REVISIONS	JAG	RJR
8	10-31-19	GENERAL REVISIONS	JAG	RJR
7	10-8-19	NEW WETLAND LINE/ GENERAL REVISIONS	JAG	RJR
6	7-16-19	NEW BUILDING FOOTPRINT/SITE LAYOUT	JAG	RJR
5	6-24-19	NEW BUILDING FOOTPRINT/SITE LAYOUT	JAG	RJR
4	4-28-19	NEW BUILDING FOOTPRINT/SITE LAYOUT	JAG	RJR
3	9-4-18	GENERAL REVISIONS	TRW	RJR
2	8-25-18	REVISIONS PER PLANNING BOARD	ERW	RJR
1	7-10-18	GENERAL REVISIONS	ERW	RJR

DETAILS

SCALE: N.T.S.

DATE: APRIL 27, 2015

DRAWN BY: EKW/TRW

DESIGNED BY: RJR

CHECKED BY: [Signature]

APPROVED BY: RJR

PROJECT: 250 BRIDGE STREET FAIRHAVEN, MASSACHUSETTS

CLIENT: CARAPACE, LLC FAIRHAVEN, MASSACHUSETTS

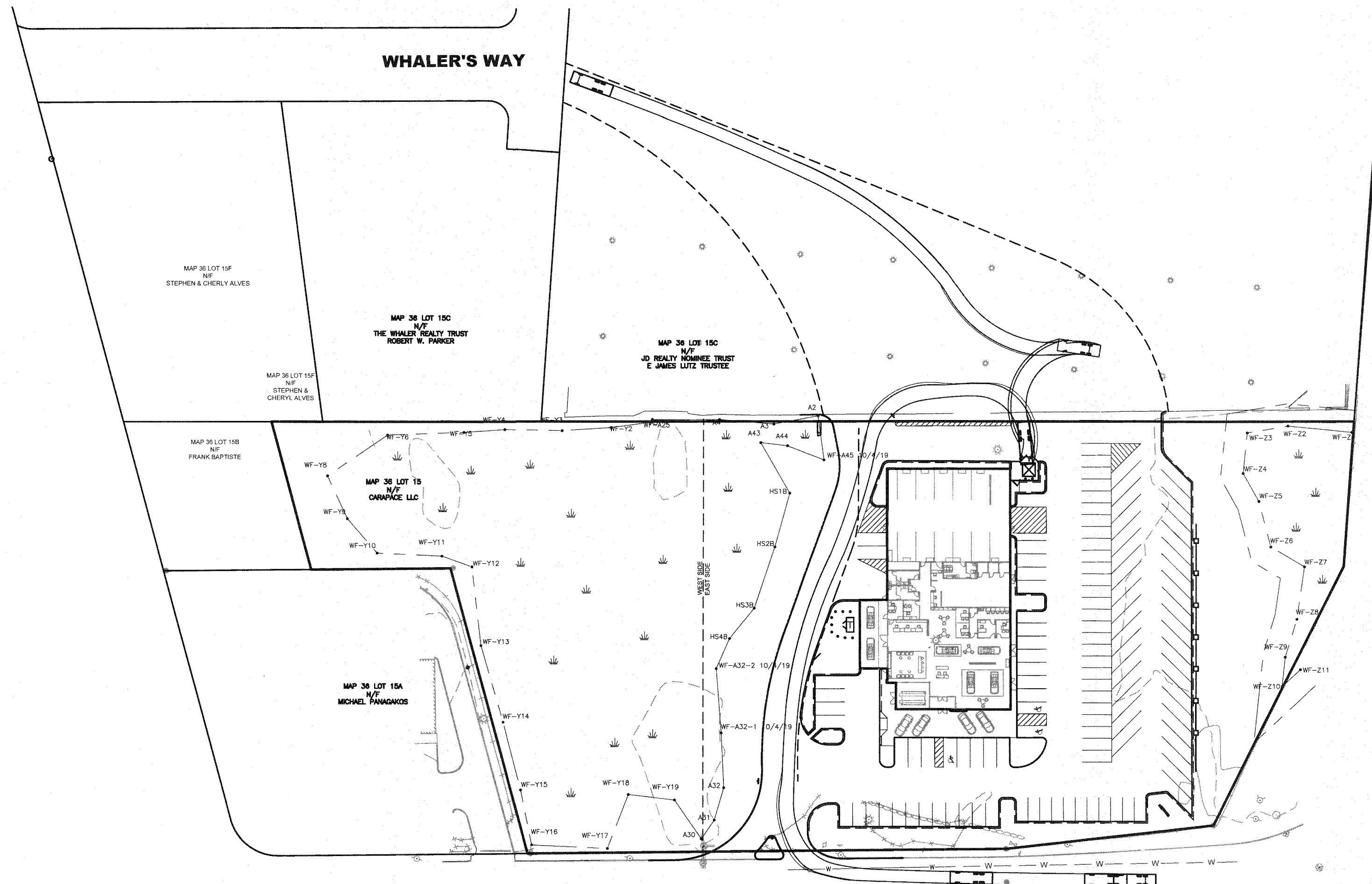
CIVIL ENGINEERING
LAND SURVEYING
ENVIRONMENTAL ASSESSMENT

P.O. BOX 1088
350 BEDFORD ST.
LAKEVILLE, MA 02347
TEL: 508.947.0050
FAX: 508.947.2004

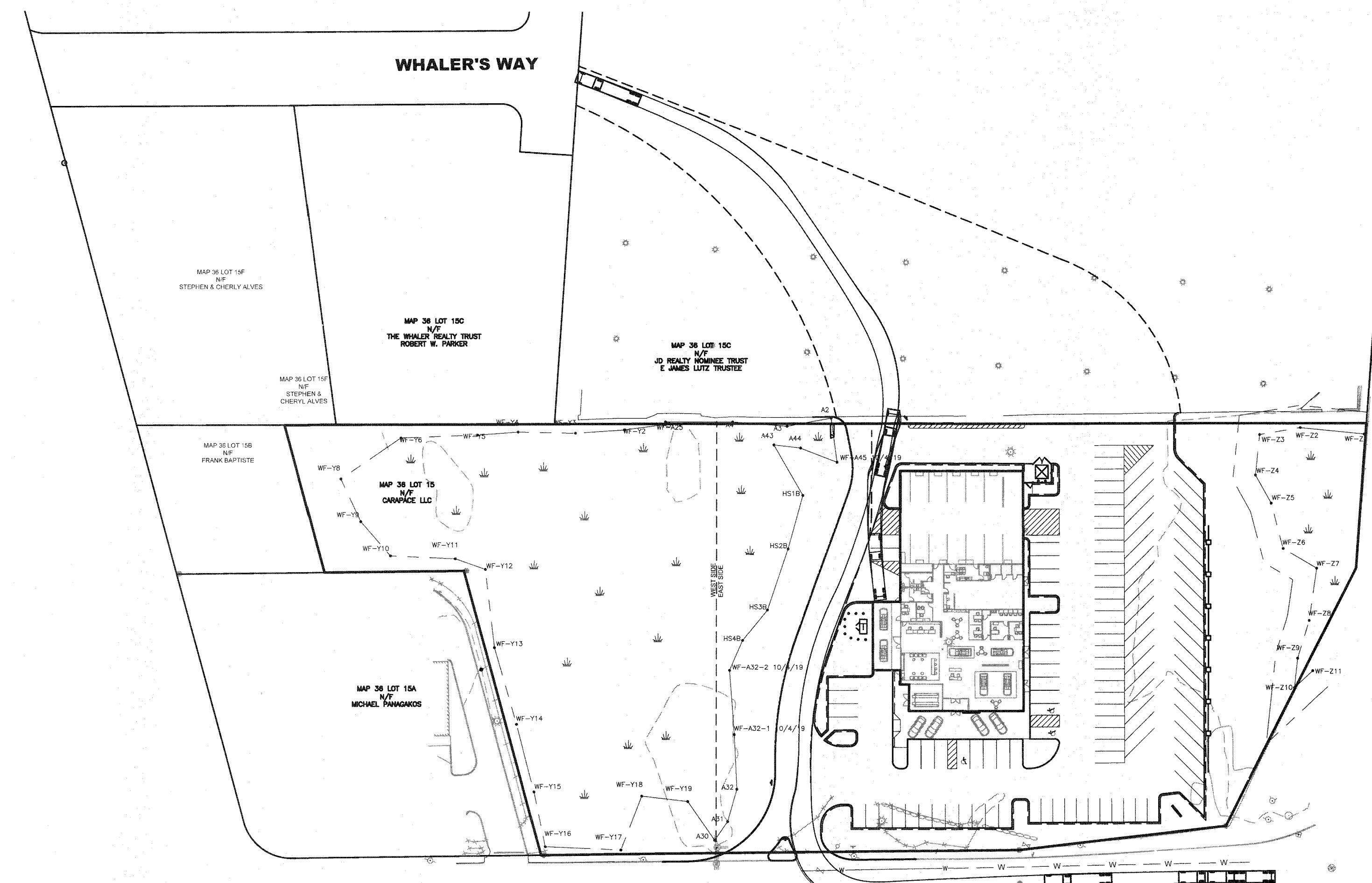
PRIME ENGINEERING

SHEET NO. 10

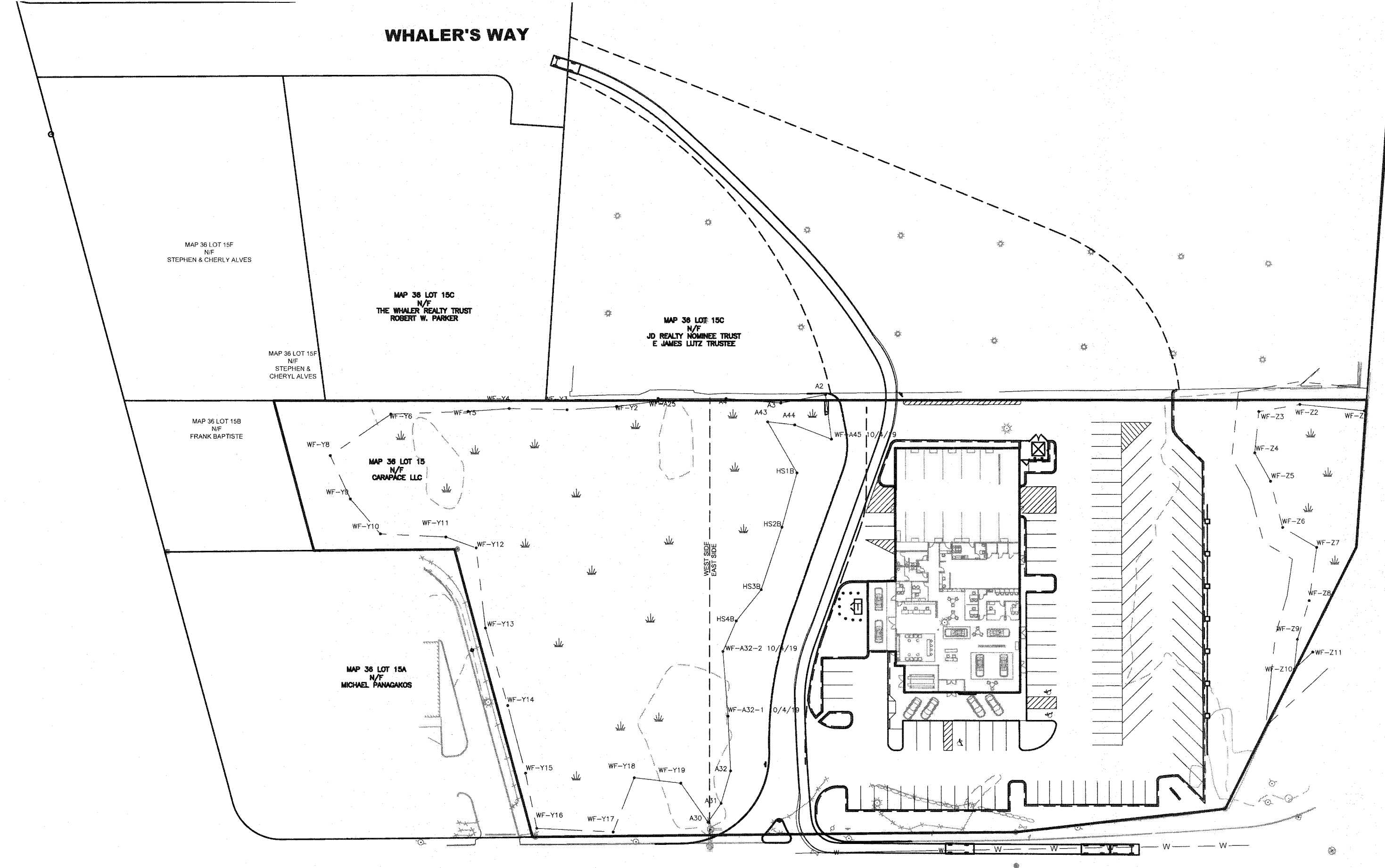
PROJECT NO. 19890101



TRASH TRUCK
SCALE: 1"=60'



WB-50 TRUCK (I.E. VEHICLE DELIVERY TRUCK)
SCALE: 1"=60'

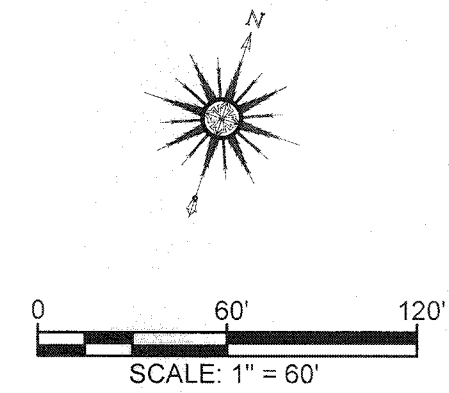


PASSENGER CAR
SCALE: 1"=60'

ROUTE 240

ROUTE 240

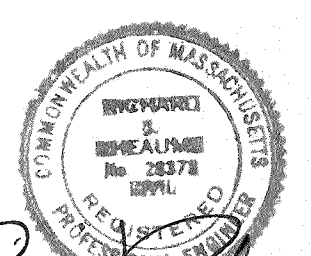
ROUTE 240

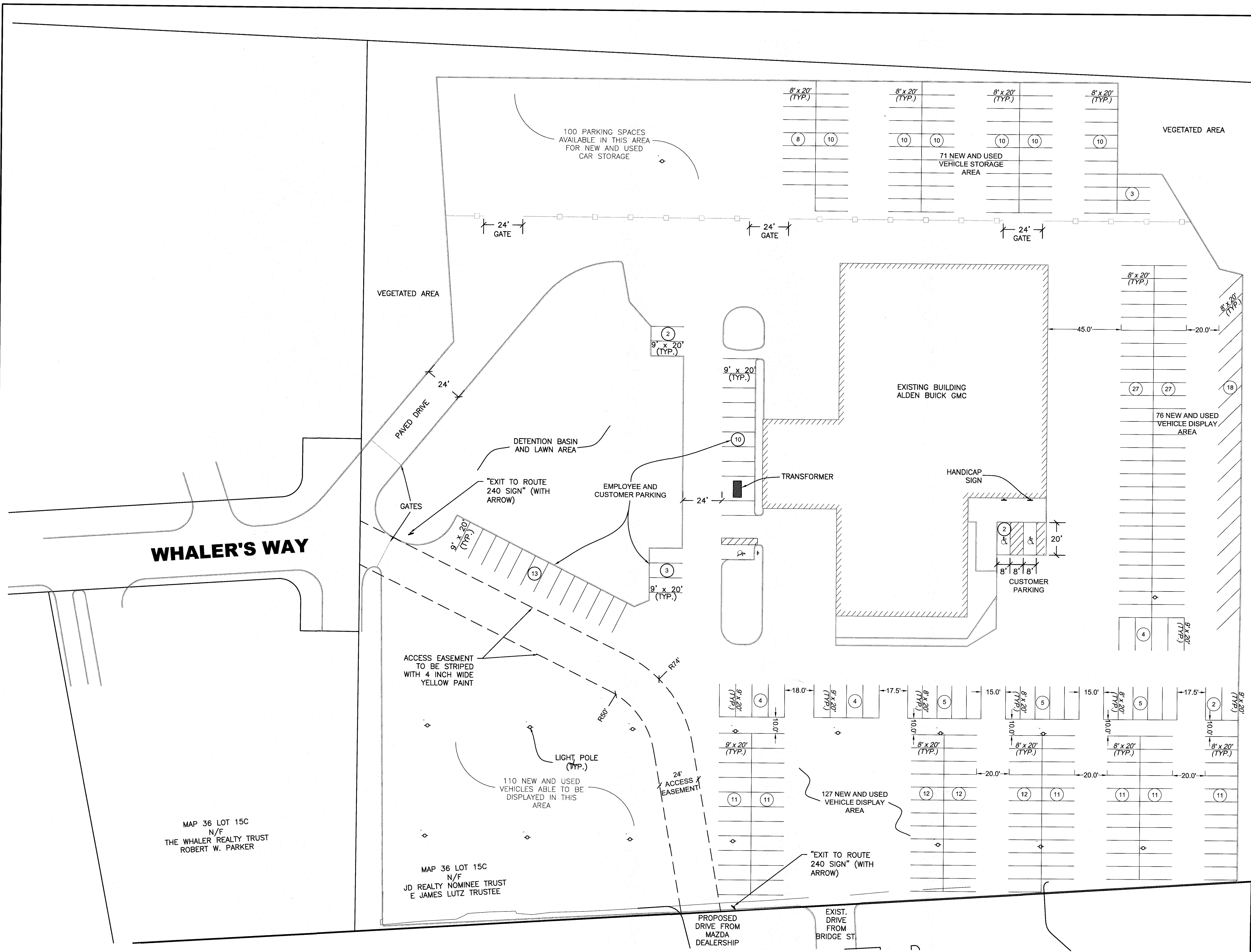


- NOTES:
1. THE INTENT OF THIS PLAN IS TO DEMONSTRATE HOW A DELIVERY TRUCK, A TRASH TRUCK, AND A PASSENGER CAR CAN MANEUVER THROUGHOUT THE SITE.
 2. THE ROUTES SHOWN ARE NOT THE ONLY ROUTES THESE VEHICLES MAY TAKE. THE ROUTING SHOWN IS PREDICTED TO BE THE MOST CONVENIENT.

REV.	DATE	DESCRIPTION	BY	APP.
14	02-28-20	GENERAL REVISIONS	JAG	RJR
13	02-14-20	GENERAL REVISIONS	JAG	RJR
12	01-22-20	GENERAL REVISIONS	JAG	RJR
11	01-10-20	ADDED EXISTING CATCH BASIN DETAIL	SWL	RJR
10	01-01-20	GENERAL REVISIONS	JAG	RJR
9	12-25-19	GENERAL REVISIONS	JAG	RJR
8	10-31-19	GENERAL REVISIONS	JAG	RJR
7	10-8-19	NEW WETLAND LINE/ GENERAL REVISIONS	JAG	RJR
6	7-16-19	NEW BUILDING FOOTPRINT/SITE LAYOUT	JAG	RJR
5	6-24-19	NEW BUILDING FOOTPRINT/SITE LAYOUT	JAG	RJR
4	4-26-19	NEW BUILDING FOOTPRINT/SITE LAYOUT	JAG	RJR
3	3-4-15	GENERAL REVISIONS	TRW	RJR
2	3-25-15	REVISIONS PER PLANNING BOARD	ERW	RJR
1	7-10-15	GENERAL REVISIONS	ERW	RJR
REV.	DATE	DESCRIPTION	BY	APP.

DRAWING TITLE VEHICLE MOVEMENT PLAN		SCALE: 1"=60'
PROJECT 250 BRIDGE STREET FAIRHAVEN, MASSACHUSETTS		DATE: APRIL 27, 2015
CLIENT CARAPACE, LLC FAIRHAVEN, MASSACHUSETTS		DRAWN BY: EKW/TRW
CIVIL ENGINEERING LAND SURVEYING ENVIRONMENTAL ASSESSMENT		DESIGNED BY: RJR
PRIME ENGINEERING P.O. BOX 1088 350 BEDFORD ST. LAKEVILLE, MA 02347 TEL: 508.947.0050 FAX: 508.947.2004		CHECKED BY: RJR
APPROVED BY: RJR		PROJECT NO: 19830101





PARKING SUMMARY:

REQUIRED PARKING:

5,000 SF SALES AREA @ 1SP/250SF = 20 SPACES

PARKING PROVIDED:

- 70 SPACES INSIDE BUILDING (REPAIR)
- 2 EXTERIOR SPACE EAST OF BUILDING (HANDICAP) (CUSTOMER AND EMPLOYEE)
- 28 EXTERIOR SPACE WEST OF BUILDING (CUSTOMER AND EMPLOYEE)

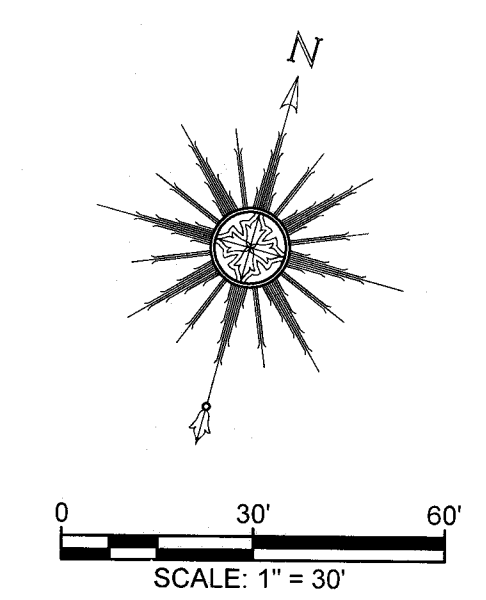
PLUS 484 SPACES AVAILABLE FOR NEW AND USED CAR SALES DISPLAY AREA AND REPAIR

1. IT IS INTENDED THAT ONLY THE 30 EXTERIOR PARKING SPACES MARKED AS "EMPLOYEE AND CUSTOMER PARKING" ARE TO BE STRIPED.
2. AREAS LABELED "NEW AND USED VEHICLE DISPLAY AREA" ON THIS PLAN WILL NOT BE STRIPED.
3. THE STRIPING SHOWN ON THE SOUTH, EAST, AND NORTH SIDE OF THIS PLAN IS MEANT ONLY TO ESTABLISH THE MAXIMUM NUMBER OF VEHICLES THAT COULD BE DISPLAYED AND STORED IN THOSE AREAS

WHALER'S WAY

MAP 36 LOT 15C
N/F
THE WHALER REALTY TRUST
ROBERT W. PARKER

MAP 36 LOT 15C
N/F
JD REALTY NOMINEE TRUST
E JAMES LUTZ TRUSTEE



REV	DATE	DESCRIPTION	BY	APP.	DRAWING TITLE	PROJECT	CLIENT	SCALE	DATE	DRAWN BY	DESIGNED BY	CHECKED BY	APPROVED BY	SHEET NO.	PROJECT NO.
					EXIT DRIVE EASEMENT EXHIBIT	250 BRIDGE STREET FAIRHAVEN, MASSACHUSETTS	CARAPACE, LLC FAIRHAVEN, MASSACHUSETTS	1" = 30'	FEB. 14, 2020	JAG	RJR	RJR	RJR	12	19830101
2	2020/3/10	GENERAL REVISIONS	JAG	RJR											
1	2020/2/28	GENERAL REVISIONS	JAG	RJR											
					P.O. BOX 1088 330 BEDFORD ST. LAKEVILLE, MA 02347 TEL: 508.947.0050 FAX: 508.947.2004										