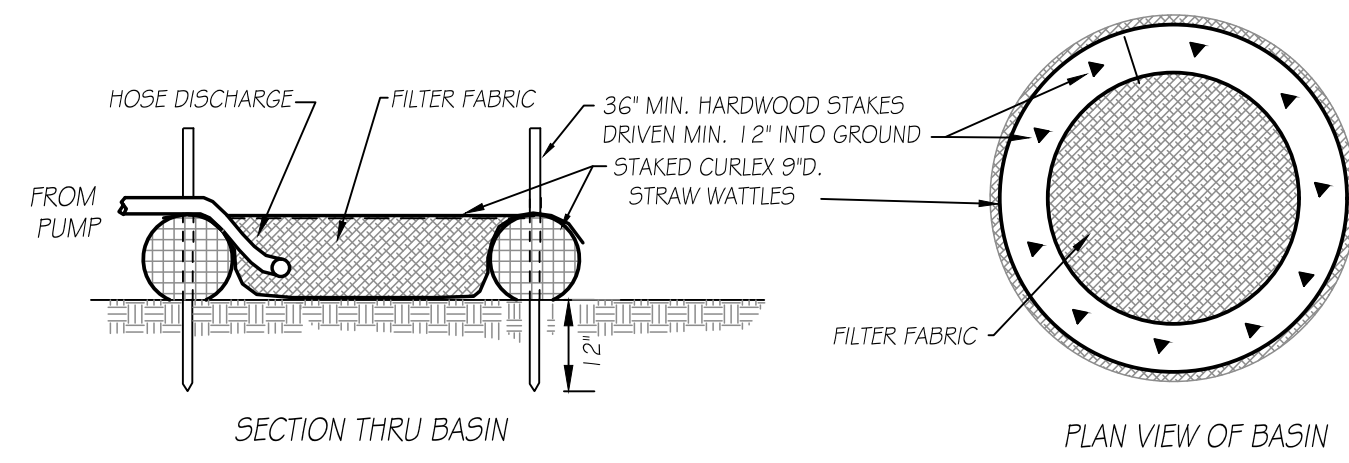


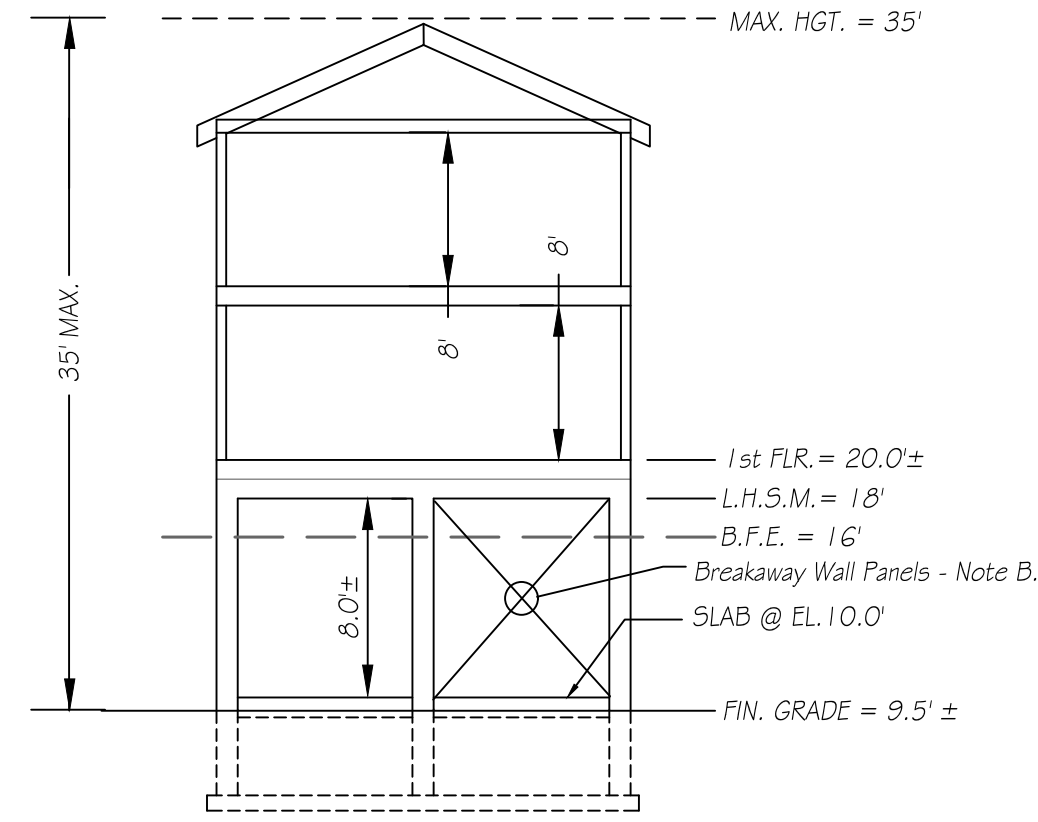
LOCUS PLAN

1" = 2000'



DE-WATERING SILT TRAP

NOTE:
1. ALL EXCAVATION BELOW THE GROUND WATER TABLE SHALL BE DESIGNED WATER PUMP DISCHARGE TO DE-WATERING SILT TRAP.



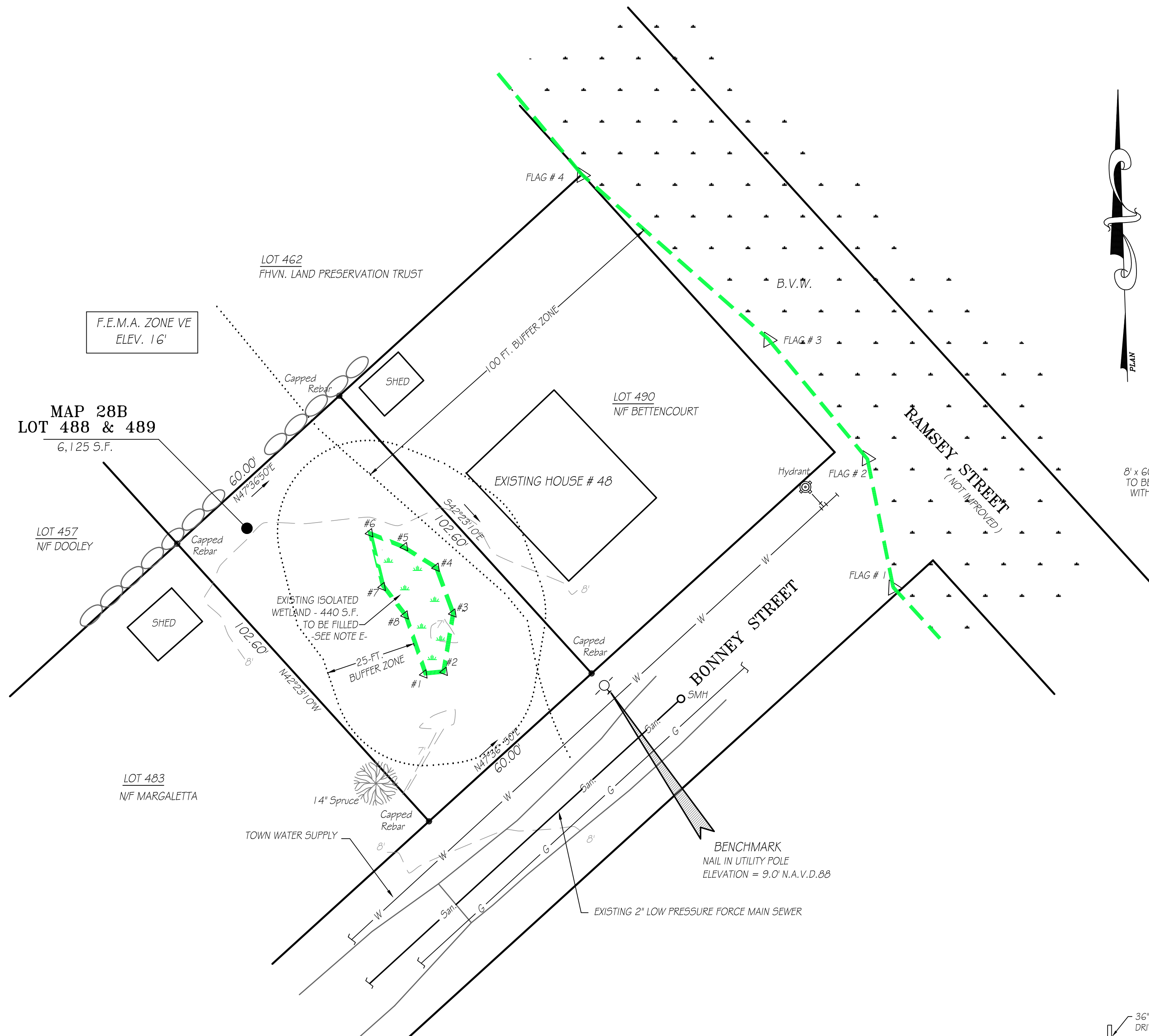
PROPOSED HOUSE ELEVATIONS
NOT TO SCALE

SPECIFICATIONS:

- SEWER PIPE SHALL BE "ENDURE" S.D.R. 9 POLYETHYLENE PIPE RATED FOR 200 PSI, LAID TRUE TO GRADE. PIPE SHALL BE BEDDED IN COMPACTED SAND AS SHOWN ON BEDDING DETAIL. PIPE SHALL BE INSPECTED IN PLACE BY THE ENGINEER AND THE FAIRHAVEN B.P.W. REPRESENTATIVE PRIOR TO FINAL COVER.
- NEW GRINDER PUMP PACKAGE SHALL BE "E-ONE" PUMP BY ENVIRONMENT ONE CORPORATION WITH GRINDER PUMP WITH STAINLESS STEEL ROTOR AND 1-HP 1725 RPM MOTOR, CHECK VALVE, HDPE TANK, CONTROLS AND ALARM PANEL, WITH HARDWIRED LEVEL CONTROLS, RATED FOR 700 GPD. THE CONTRACTOR SHALL PROVIDE PUMP PACKAGE SUBMITTALS TO THE FAIRHAVEN B.P.W. FOR APPROVAL.
- THE CONTRACTOR SHALL VERIFY ALL DIMENSIONS AND ELEVATIONS IN THE FIELD AND NOTIFY THE ENGINEER OF ANY DISCREPANCIES.
- THE CONTRACTOR SHALL MAINTAIN A MINIMUM CLEARANCE BETWEEN NEW SEWER SERVICE AND EXISTING UNDERGROUND UTILITIES OF AT LEAST 2 FEET. WHERE NEW SEWER CROSSES OTHER UTILITIES WITHIN 2 FEET, BACKFILL WITH CRUSHED STONE BETWEEN THE PIPES.

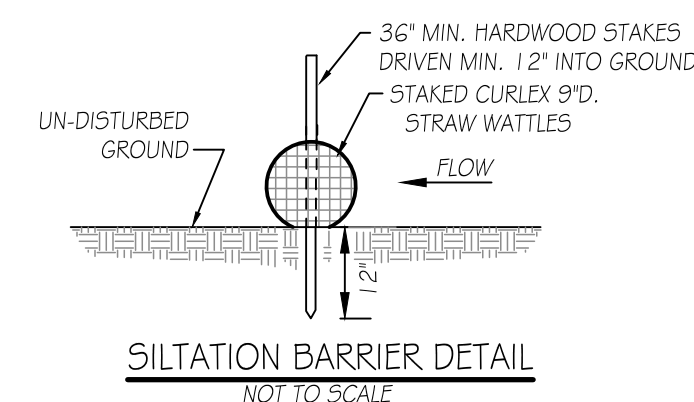
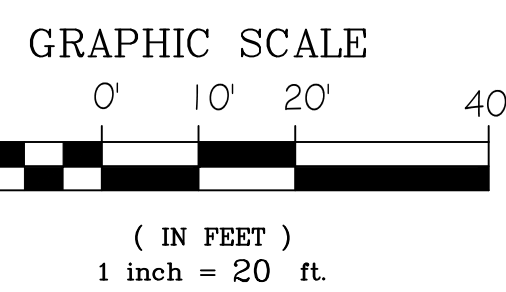
GENERAL NOTES:

- NOTE A: SUBJECT LOCATION IS SHOWN AS LOTS 488 & 489 OF ASSESSORS MAP 28B. ZONING IS SINGLE RESIDENCE DISTRICT RA; MIN. LOT AREA = 15,000 S.F.; MIN. FRONTAGE = 100 FT. SETBACKS: 20-FT. FRONT, 10-FT. SIDE & 30-FT. REAR. MAX. BLDG. COVERAGE = 50%. PROPOSED LOT COVERAGE = (BUILDING, DRIVEWAY & WALKS @ 1,965 SF) / 6,125 SF = 32.1%.
- NOTE B: THE DWELLING SHOWN HEREON LIES WITHIN A SPECIAL FLOOD HAZARD AREA (ZONE VE, EL. 16) AS DELINEATED ON F.E.M.A. COMMUNITY PANEL NO. 25005004136 DATED JULY 6, 2021. PROPOSED RESIDENCE SHALL BE ELEVATED ON OPEN PIER FOUNDATION WITH BREAKAWAY WALLS UNDER HOUSE.
- NOTE C: DEED REFERENCE FOR SUBJECT PARCEL: BOOK 14409 PAGE 303.
- NOTE D: NOTIFY DIG-SAFE CENTER, LOCAL UTILITIES AND FAIRHAVEN B.P.W. 72 HOURS PRIOR TO START OF WORK.
- NOTE E: WETLAND DELINEATION WAS PERFORMED BY THOMAS E. LUDY, PWS ON AUGUST 10, 2023. SEE ENVIRONMENTAL ASSESSMENT FROM LUCAS ENVIRONMENTAL LLC DATED AUGUST 16, 2023. THE APPLICANT PROPOSES TO FILL THE ISOLATED WETLAND AREA AND PROVIDE COMPENSATORY WETLANDS REPLICATION ON-SITE IN ACCORDANCE WITH THE REPLICATION PLAN PREPARED BY SABATIA, INC.

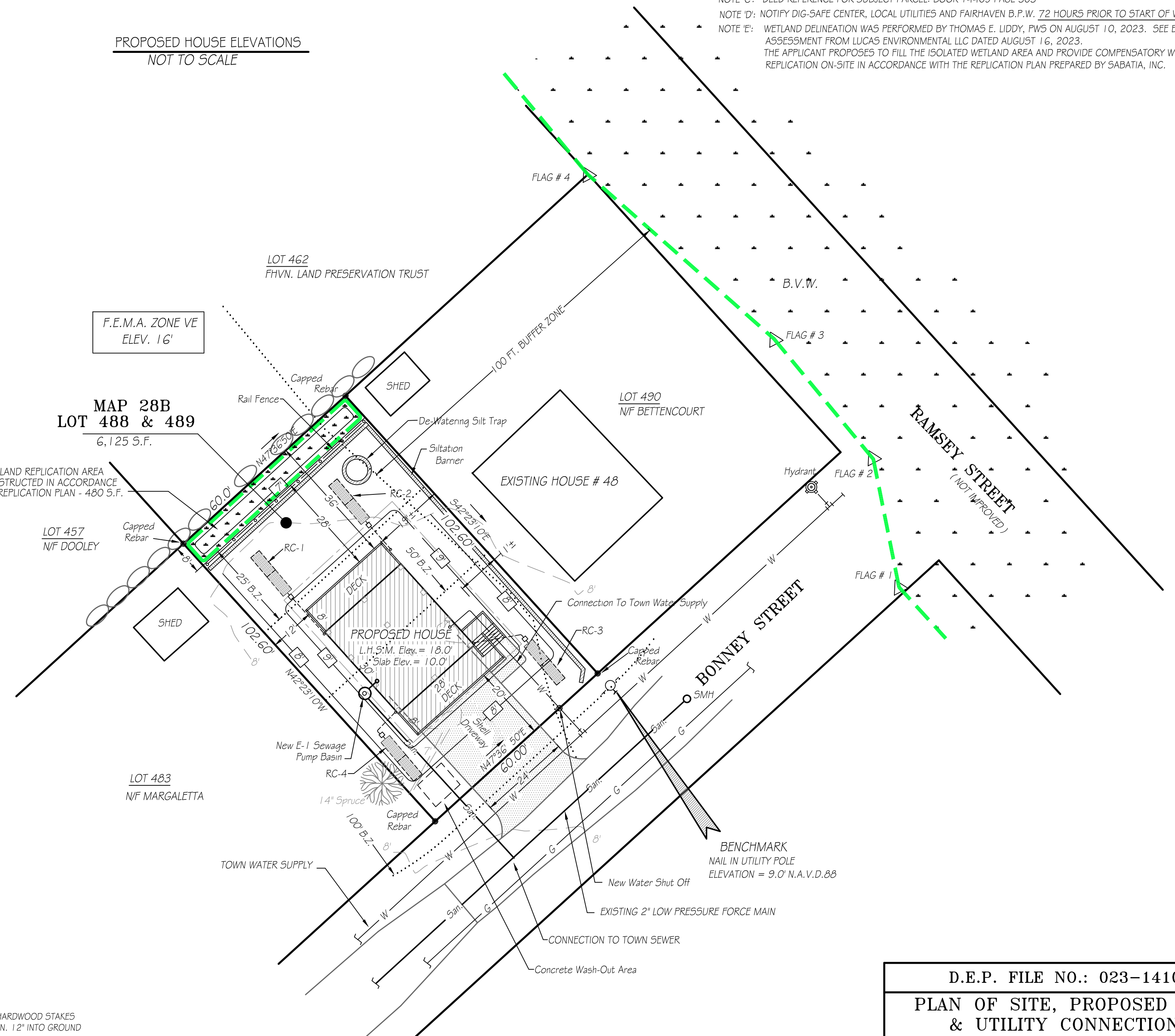


EXISTING SITE PLAN

SCALE: 1" = 20 FT.



NOTE: STRAW WATTLES SHALL BE COMPOSED OF STRAW FIBERS ENCASED IN DURABLE BIODEGRADABLE NETTING.



PROPOSED SITE PLAN

SCALE: 1" = 20 FT.

LEGEND:

- EXISTING CONTOURS: (dashed line)
- PROPOSED CONTOURS: (solid line)
- EDGE OF WETLANDS: (dotted line)
- LIMIT OF BUFFER ZONE: (dashed line)
- LIMITS OF F.E.M.A. ZONES: (dotted line)
- SPOT ELEVATIONS: (circle with number)
- TEST PIT LOCATION: (square with 'X')
- SEPTIC TANK: (rectangle with 'S')
- DELINEATION FLAG: (triangle with number)

D.E.P. FILE NO.: 023-1410

PLAN OF SITE, PROPOSED HOUSE & UTILITY CONNECTIONS

PREPARED FOR
DAVID MENARD
MAP 28B, LOTS 488 & 489
BONNEY STREET
FAIRHAVEN, MASS.

CAI Charon Associates, Inc.
Consulting Engineers
323 Neck Road - Rochester, MA 02770
Tel: 508-763-8362 Fax: 508-763-9582

SCALE: AS NOTED
DATE: APRIL 12, 2023
REV. 1: NOV. 1, 2023
REV. 2: MAR. 28, 2024
REV. 3: MAY 21, 2024 (Note B.)

DWG. NO.
L-1

