





**GENERAL NOTES:**

- 1. ALL UNDERGROUND UTILITIES SHOWN OR NOT SHOWN WERE COMPILED ACCORDING TO AVAILABLE RECORD PLANS AND IN PART FROM FIELD SURVEY AND ARE APPROXIMATE ONLY. ACTUAL LOCATIONS MUST BE DETERMINED IN THE FIELD. BEFORE EXCAVATING, BLASTING, INSTALLING, BACKFILLING, GRADING, PAVEMENT RESTORATION, OR REPAIRING, ALL UTILITY COMPANIES, PUBLIC AND PRIVATE, MUST BE CONTACTED INCLUDING THOSE IN CONTROL OF UTILITIES NOT SHOWN ON THIS PLAN. SEE MGL CHAPTER 370, ACTS OF 1963. CONTRACTORS MUST CALL DIG-SAFE AT (1-888-DIG-SAFE OR 811) G.A.F. ENGINEERING, INC. ASSUMES NO RESPONSIBILITY FOR DAMAGES INCURRED AS A RESULT OF UTILITIES OMITTED OR INACCURATELY SHOWN.
- 2. EXISTING CONDITIONS INFORMATION IS BASED ON ACTUAL FIELD SURVEY, PRIVATE UTILITY PLANS, AND OTHER AVAILABLE SOURCES. FIELD SURVEY WAS PERFORMED BY G.A.F. ENGINEERING, INC., ON VARIOUS DATES AND MOST RECENTLY IN JANUARY OF 2020.
- 3. THE CONTRACTOR SHALL COORDINATE AND OBTAIN ALL REQUIRED PERMITS, GIVE ALL NOTICES, COMPLY WITH ALL LAWS AND REGULATIONS, AND PAY ALL FEES ASSOCIATED WITH THE INSTALLATION OF THIS WORK.
- 4. THE CONTRACTOR SHALL FIELD VERIFY, PRIOR TO CONSTRUCTION ALL EXISTING UNDERGROUND UTILITY LOCATIONS AND POINTS OF INTERCONNECTION.
- 5. THE CONTRACTOR SHALL PROVIDE ALL MATERIALS, LABOR, SUPERVISION, TOOLS, EQUIPMENT, FUEL, POWER, SANITARY FACILITIES AND INCIDENTALS NECESSARY FOR THE FURNISHING, PERFORMANCE, TESTING, START-UP AND COMPLETION OF THIS WORK.
- 6. THE CONTRACTOR SHALL NOTIFY THE ENGINEER AND OWNER OF ANY CONFLICTS DISCOVERED IN THE FIELD.
- 7. ANY CHANGES TO THESE SITE PLANS THAT ARE MADE IN THE FIELD DURING CONSTRUCTION SHALL BE RECORDED BY THE CONTRACTOR ON RECORD DOCUMENTS AND REPORTED TO THE OWNER AND ENGINEER.
- 8. THE CONTRACTOR IS RESPONSIBLE FOR OBTAINING AN EXCAVATION AND TRENCH PERMIT PURSUANT TO 520 CMR 14.00 AS APPLICABLE PRIOR TO THE START OF CONSTRUCTION.
- 9. IT WILL BE THE CONTRACTOR'S RESPONSIBILITY TO MAKE HIS/HER OWN DETERMINATION OF SUBSURFACE CONDITIONS, INCLUDING THE LOCATION OF ROCK AND THE ACTUAL LOCATION OF UTILITIES OR OTHER FEATURES WHICH MAY AFFECT HIS/HER WORK. ANY UNSUITABLE MATERIAL ENCOUNTERED DURING CONSTRUCTION WILL BE REPORTED TO THE ENGINEER OF RECORD FOR RESOLUTION AND CONSTRUCTION METHOD.

**CONSTRUCTION NOTES:**

- 1. IN GENERAL, THE PLANS ARE DIAGRAMMATIC AND ARE NOT INTENDED TO SHOW EVERY FITTING, CHANGE IN DIRECTION OR DETAIL OF CONSTRUCTION.
- 2. THE LOCATION OF UTILITIES WERE OBTAINED FROM VARIOUS SOURCES OF INFORMATION. THE EXACT LOCATION AND COMPLETENESS IS NOT GUARANTEED. THE CONTRACTOR MUST NOTIFY DIG SAFE PRIOR TO THE START OF CONSTRUCTION (1-888-DIG-SAFE OR 811). G.A.F. ENGINEERING, INC. ASSUMES NO RESPONSIBILITY FOR DAMAGES INCURRED AS A RESULT OF UTILITIES OMITTED OR INACCURATELY SHOWN.
- 3. THE CONTRACTOR SHALL TAKE ALL NECESSARY PRECAUTIONS FOR THE SAFETY OF PERSONNEL AND PROTECTION OF PROPERTY AT THE SITE OR ADJACENT THERETO INCLUDING TREES, SHRUBS, LAWNS, PAVEMENTS, ROADWAYS, STRUCTURES AND UNDERGROUND UTILITIES NOT DESIGNED FOR REMOVAL, RELOCATION, OR REPLACEMENT.
- 4. THE CONTRACTOR SHALL BE SOLELY RESPONSIBLE FOR THE MEANS, METHODS, TECHNIQUES, SEQUENCES, AND PROCEDURES OF CONSTRUCTION REQUIRED FOR THE INSTALLATION OF THIS WORK.
- 5. ALL MATERIALS SHALL BE NEW AND FREE FROM DEFECTS AND OF GOOD QUALITY.
- 6. THE CONTRACTOR SHALL KEEP THE PREMISES FREE FROM THE ACCUMULATION OF WASTE MATERIAL AND OTHER DEBRIS RESULTING FROM THIS WORK.
- 7. ALL PAVEMENT MARKINGS DISTURBED BY CONSTRUCTION SHALL BE RESTORED AS PART OF THIS WORK.
- 8. THE CONTRACTOR SHALL INSTITUTE ALL SAFETY MEASURES NECESSARY TO PROTECT THE PUBLIC SAFETY. THIS SHALL INCLUDE, BUT NOT LIMITED TO, BARRICADES, SIGNS, LIGHTING, FENCES, POLICE DETAILS, AND ANY OTHER MEANS AS DIRECTED. NO TRENCHES ARE TO REMAIN OPEN OVERNIGHT.
- 9. ELEVATIONS ARE IN FEET AND TENTHS AND ARE BASED ON THE DATUM OF NAVD-88.
- 10. SIDE SLOPE GRADING SHALL BE AS NOTED ON THE SITE PLANS.
- 11. ALL SIDE SLOPES SHALL BE DRESSED WITH 4 INCHES OF TOPSOIL. WHERE SIDE SLOPES EXCEED 3:1, PROVIDE AN EROSION CONTROL BLANKET OVER THE PLANTED SEED BED. SEE PLAN FOR LOCATIONS.
- 12. PERMANENT SEEDING (BEFORE SEPTEMBER 15) LIME TO PH OF 6.5 ACCORDING TO SOIL TEST OR APPLY AT THE RATE OF 100 TO 150 LBS. PER 1,000 SQUARE FEET. APPLY 10-20-20 FERTILIZER AT 1,000 LBS. PER ACRE. INCORPORATE LIME AND FERTILIZER IN TOP 4 INCHES OF SOIL. SEED 100 LBS. PER ACRE OF THE FOLLOWING SEED MIX.  

PURE PERCENT	SEED
30-35%	CREeping RED FESCUE
30-35%	PERENNIAL RYEGRASS
20-25%	KENTUCKY BLUEGRASS
10-15%	ANNUAL RYEGRASS

HYDRO SEEDING IS AN ALTERNATIVE FOR THIS APPLICATION. A MIXTURE OF SEED WATER AND MULCH IS SPRAYED ON THE SEED BED COMBINING THREE (3) SEPARATE ACTIONS INTO ONE (1) OPERATION
- 13. ALL SEWER AND PLUMBING WORK SHALL CONFORM WITH 248 CMR 10.00 UNIFORM STATE PLUMBING CODE AND THE TOWN OF FAIRHAVEN SEWER DEPARTMENTS SPECIFICATIONS.
- 14. ALL WATER AND FIRE PROTECTION INSTALLATION SHALL CONFORM WITH THE TOWN OF FAIRHAVEN WATER DEPARTMENTS SPECIFICATIONS AND ALL APPLICABLE STATE REQUIREMENTS & REGULATIONS.
- 15. ALL METHODS AND MATERIALS SHALL CONFORM WITH MassDOT STANDARDS AND SPECIFICATIONS, AND THE REQUIREMENTS OF THE TOWN OF FAIRHAVEN PUBLIC WORKS DEPARTMENT. CONTRACTOR SHALL ALSO COORDINATE ALL FIRE PROTECTION WORK WITH THE FIRE PROTECTION CONTRACTOR.
- 16. ALL UTILITY INSTALLATIONS SHALL BE IN CONFORMANCE WITH ALL APPLICABLE TOWN, STATE AND FEDERAL REQUIREMENTS & REGULATIONS.
- 17. ALL PROPOSED HANDICAP RAMPS (H.C.) SHALL BE CONSTRUCTED TO COMPLY WITH THE LATEST REVISION OF MassDOT STANDARD SPECIFICATIONS AND ALL A.D.A. REGULATIONS & SPECIFICATIONS.
- 18. DEWATERING IF REQUIRED SHALL BE DIRECTED TO A 15' MIN. SQUARE OF HAYBALES WITH A DIRTBAG. SEE DETAIL ON SHEET 8. CONTRACTOR SHALL PROVIDE AND MAINTAIN DEWATERING EQUIPMENT FOR THE CONTROL, COLLECTION AND DISPOSAL OF GROUND AND SURFACE WATER WHERE NECESSARY TO COMPLETE THE WORK.

**WETLANDS NOTE:**

- 1. THE WETLAND FLAG LOCATIONS DEPICTED ON THIS PLAN WERE DELINEATED IN THE FIELD BY ENVIRONMENTAL CONSULTING & RESTORATION, LLC (ECR) ON JANUARY 2, 2020, AND WERE FIELD LOCATED BY G.A.F. ENGINEERING, INC. ON JANUARY 3, 2020.

**DRAINAGE OPERATION AND MAINTENANCE SCHEDULE:**

THE OPERATION AND MAINTENANCE (O&M) SCHEDULE DURING THE CONSTRUCTION PERIOD IS THE RESPONSIBILITY OF THE CONTRACTOR. THE OUTLINE BELOW SHALL BE FOLLOWED TO ENSURE THE PROPER CONSTRUCTION AND FUNCTION OF THE DRAINAGE FACILITIES.

- 1. IN CONJUNCTION WITH THE SITE CONSTRUCTION, ALL DRAINAGE STRUCTURES SHALL BE INSTALLED AND THE AFFECTED AREAS STABILIZED (LOAM AND SEED, HYDROSEED, PLANTED, RIP-RAP, ETC.). PERMANENT STABILIZATION OF THESE AREAS SHALL BE STARTED AS SOON AS POSSIBLE.
- 2. EROSION CONTROL SHALL BE PLACED ALONG THE LIMITS OF WORK AND/OR WHERE SHOWN ON THE PLAN.
- 3. ALL EXISTING CATCH BASINS SHALL HAVE A TEMPORARY SILT SACK INSTALLED IN THEM PRIOR TO CONSTRUCTION. CONTRACTOR SHALL REMOVE AND DISPOSE OF THEM AT THE COMPLETION OF CONSTRUCTION. ALL EXISTING AND PROPOSED CATCH BASINS SHALL BE INSPECTED WEEKLY DURING CONSTRUCTION. IF THERE IS ANY SEDIMENT BUILDUP, THE AFFECTED STRUCTURES SHALL BE CLEANED IMMEDIATELY, AND ALL MATERIAL REMOVED SHALL BE DISPOSED OF IN ACCORDANCE WITH ALL APPLICABLE FEDERAL, STATE, AND LOCAL REQUIREMENTS.
- 4. ALL RAIN GUARDIAN STRUCTURES SHALL BE INSPECTED WEEKLY DURING CONSTRUCTION. IF THERE IS ANY SEDIMENT BUILDUP, THE AFFECTED STRUCTURES SHALL BE CLEANED IMMEDIATELY, AND ALL MATERIAL REMOVED SHALL BE DISPOSED OF IN ACCORDANCE WITH ALL APPLICABLE FEDERAL, STATE, AND LOCAL REQUIREMENTS.
- 5. ALL AREAS SHALL BE INSPECTED WEEKLY, AND AFTER LARGE STORMS. IF THERE IS EVIDENCE OF EROSION, THE ERODED AREA SHALL BE RE-STABILIZED, AND MEASURES SHALL BE TAKEN TO PREVENT REOCCURRENCE. THIS SCHEDULE MUST BE ADHERED TO BY THE CONTRACTOR UNTIL THE PROJECT IS ACCEPTED BY THE OWNER.

**POST-CONSTRUCTION OPERATION AND MAINTENANCE PLAN:**  
UPON THE COMPLETION OF CONSTRUCTION, MAINTENANCE SHALL BE CONDUCTED BY THE OWNER OR OWNER'S AGENT ON THE SITE. THE FOLLOWING SHALL BE CARRIED OUT BY THE RESPONSIBLE PARTY AND SHALL BE ADHERED TO ENSURE THE PROPER OPERATION OF THE DRAINAGE FACILITIES.

- 1. PARKING LOT SWEEPING IS AN EFFECTIVE NONSTRUCTURAL SOURCE CONTROL THAT WILL REMOVE SEDIMENT FROM PAVED SURFACES. PARKING LOT SWEEPING SHOULD BE DONE BY THE USE OF A HIGH EFFICIENCY VACUUM SWEEPER OR REGENERATIVE AIR SWEEPER. PARKING LOT SWEEPING SHALL BE DONE TWICE PER YEAR. ONCE REMOVED FROM PAVED SURFACES, THE SWEEPINGS MUST BE HANDLED AND DISPOSED OF PROPERLY IN ONE OF THE WAYS APPROVED BY MASSDEP (SEE POLICY #BWP-94-092: REUSE & DISPOSAL OF STREET SWEEPINGS).
- 2. RAIN GUARDIAN STRUCTURES SHALL BE INSPECTED AFTER EVERY MAJOR STORM EVENT IN THE FIRST FEW MONTHS AFTER CONSTRUCTION TO ENSURE PROPER STABILIZATION AND FUNCTION. THEREAFTER, RAIN GUARDIAN STRUCTURES SHALL BE CLEANED AT LEAST FOUR TIMES PER YEAR AND INSPECTED MONTHLY. REMOVE ALL SEDIMENT AND DEBRIS FROM THE TOP GRATE, WITHIN THE CHAMBER, AND ON THE VERTICAL DROP-IN FILTER WALL. THE FILTER WALL SHALL BE CLEANED MANUALLY WITH A STIFF BRISTLED BROOM OR RINSE CLEAN WITH PRESSURIZED WATER. ALL SEDIMENTS AND HYDROCARBONS SHOULD BE HANDLED PROPERLY AND DISPOSED IN ACCORDANCE WITH LOCAL, STATE AND FEDERAL GUIDELINES AND REGULATIONS.
- 3. DEEP SUMP CATCH BASINS ARE UNDERGROUND RETENTION SYSTEMS DESIGNED TO REMOVE TRASH, DEBRIS AND COARSE SEDIMENT FROM STORMWATER RUNOFF AND SERVE AS TEMPORARY SPILL CONTAINMENT DEVICES FOR FLOATABLES SUCH AS OILS AND GREASE. INSPECT CATCH BASINS MONTHLY AND CLEAN AT LEAST TWO TIMES PER YEAR AND AT THE END OF THE FOLIAGE AND SNOW-REMOVAL SEASONS. SEDIMENTS MUST ALSO BE REMOVED WHENEVER THE DEPTH OF DEPOSITS IS GREATER THAN OR EQUAL TO ONE HALF THE DEPTH FROM THE BOTTOM OF THE INVERT. SEDIMENT SHALL BE REMOVED THROUGH THE USE OF A BUCKET OR VACUUM TRUCK. SEDIMENT MUST BE HANDLED AND DISPOSED OF PROPERLY IN ONE OF THE WAYS ALREADY APPROVED BY MASSDEP (SEE POLICY #BWP-94-092: REUSE & DISPOSAL OF STREET SWEEPINGS). IF THERE IS EVIDENCE THAT THEY HAVE BEEN CONTAMINATED BY A SPILL OR OTHER MEANS, THE CLEANINGS MUST BE EVALUATED IN ACCORDANCE WITH THE HAZARDOUS WASTE REGULATIONS, 310 CMR 30.00 AND HANDLED AS HAZARDOUS WASTE.

**DRAINAGE INSTALLATION NOTES:**

- 1. ALL DRAINAGE PIPES, UNLESS OTHERWISE NOTED, ARE TO BE ADS N-12 PIPE WITH SOIL TIGHT JOINTS AND FITTINGS. REFER TO PLAN FOR LOCATION, SIZES AND SLOPES.
- 2. ALL ROOF DRAIN PIPES BEYOND 10' OF THE BUILDING, UNLESS OTHERWISE NOTED, ARE TO BE 6" ADS N-12 PIPE WITH SOIL TIGHT JOINTS AND FITTINGS. MINIMUM SLOPE TO BE 1.00%. REFER TO PLAN FOR LOCATION.
- 3. MIN. COVER ON PIPES SHALL NOT BE LESS THAN 1.5 FEET.
- 4. ALL WORK AND MATERIAL SHALL BE DONE IN ACCORDANCE WITH THE REQUIREMENTS OF THE TOWN OF FAIRHAVEN PUBLIC WORKS DEPARTMENT.

**EROSION CONTROL NOTES:**

- 1. THE SITE CONTRACTOR IS RESPONSIBLE FOR ESTABLISHING AND MAINTAINING SUITABLE EROSION AND SEDIMENTATION CONTROL DEVICES ON SITE DURING CONSTRUCTION AS REQUIRED TO PREVENT SILT FROM LEAVING THE SITE. SILT WILL NOT BE ALLOWED BEYOND CONSTRUCTION LIMITS. ADDITIONAL PROTECTION: ON-SITE PROTECTION MUST BE PROVIDED THAT WILL NOT PERMIT SILT TO LEAVE THE PROJECT CONFINES DUE TO UNFORESEEN CONDITIONS OR ACCIDENTS.
- 2. EROSION CONTROL MEASURES SHALL BE MAINTAINED AT ALL TIMES. IF FULL IMPLEMENTATION OF THE APPROVED PLANS DOES NOT PROVIDE SUFFICIENT EROSION AND SEDIMENT CONTROL, ADDITIONAL CONTROL MEASURES SHALL BE IMPLEMENTED. CONTRACTOR IS RESPONSIBLE FOR REPAIRING OR REPLACING EROSION CONTROL DEVICES WHICH BECOME INEFFECTIVE.
- 3. CONTRACTOR SHALL OBTAIN ALL NECESSARY PERMITS FOR ALL GRADING AND OTHER LAND DISTURBING ACTIVITIES PRIOR TO CONSTRUCTION.
- 4. THE CONTRACTOR IS RESPONSIBLE FOR THE CLEANUP AND REMOVAL OF ANY BUILDUP OF SEDIMENT WHICH ESCAPES FROM THE SITE.
- 5. CONTRACTOR IS RESPONSIBLE FOR CLEANING SILT AND DEBRIS OUT OF ALL STORM DRAINAGE STRUCTURES UPON THE COMPLETION OF CONSTRUCTION.
- 6. THE CONTRACTOR IS RESPONSIBLE FOR REMOVING ALL TEMPORARY EROSION CONTROL MEASURES AFTER CONSTRUCTION IS COMPLETE AND ALL DISTURBED AREAS HAVE BEEN STABILIZED.
- 7. THE CONTRACTOR IS RESPONSIBLE FOR ALL COSTS ASSOCIATED WITH ANY FINES LEVIED AGAINST THE SITE FOR VIOLATIONS OF EROSION CONTROL REGULATIONS.
- 8. CONTRACTOR SHALL PROVIDE TEMPORARY GROUND COVER FOR ALL AREAS WITH EXPOSED SOIL WHICH WILL NOT BE DISTURBED BY GRADING OPERATIONS FOR A PERIOD OF THIRTY DAYS OR MORE.
- 9. IF WORK ON THIS PROJECT IS SUSPENDED FOR ANY REASON, THE CONTRACTOR SHALL MAINTAIN THE SOIL EROSION AND SEDIMENTATION CONTROL FACILITIES IN GOOD CONDITION DURING THE SUSPENSION OF WORK.
- 10. SPRINKLE OR APPLY DUST SUPPRESSERS TO MINIMIZE DUST AT THE CONSTRUCTION SITE. MAINTAIN DUST CONTROL MEASURES UNTIL ALL DISTURBED AREAS HAVE BEEN PERMANENTLY STABILIZED.
- 11. THE CONTRACTOR WILL ALSO NEED TO COMPLY TO ANY ORDER OF CONDITIONS THAT MAY BE ISSUED BY THE TOWN OF FAIRHAVEN CONSERVATION COMMISSION.

**DEMOLITION NOTES:**

- 1. IT WILL BE THE CONTRACTOR'S RESPONSIBILITY TO MAKE HIS/HER OWN DETERMINATION OF SUBSURFACE CONDITIONS, INCLUDING THE LOCATION OF ROCK AND THE ACTUAL LOCATION OF UTILITIES OR OTHER FEATURES WHICH MAY AFFECT HIS/HER WORK. ANY UNSUITABLE MATERIAL ENCOUNTERED DURING CONSTRUCTION WILL BE REPORTED TO THE ENGINEER OF RECORD FOR RESOLUTION AND CONSTRUCTION METHOD.
- 2. THE CONTRACTOR SHALL FURNISH ALL LABOR, MATERIALS, TOOLS, EQUIPMENT AND APPARATUS NECESSARY AND SHALL DO ALL WORK REQUIRED TO COMPLETE THE DEMOLITION, REMOVAL, AND ALTERATIONS OF EXISTING FACILITIES, INCLUDING PIPING SYSTEMS AND APPURTENANCES, DRAINAGE, PAVEMENT, LANDSCAPE AND SITE FEATURES ENCOUNTERED DURING THE INSTALLATION AS INDICATED ON THE DRAWINGS, AS HEREIN SPECIFIED, AND/OR AS DIRECTED BY THE DESIGN ENGINEER.
- 3. ALL EQUIPMENT, PIPING, AND OTHER MATERIALS THAT ARE NOT TO BE RELOCATED OR TO BE RETURNED TO THE OWNER SHALL BECOME THE PROPERTY OF THE CONTRACTOR AND SHALL BE DISPOSED OF BY HIM, AWAY FROM THE SITE OF THE WORK AND AT HIS OWN EXPENSE.
- 4. ALL DEMOLITION OR REMOVAL OF EXISTING STRUCTURES, PAVEMENT, UTILITIES, EQUIPMENT, AND APPURTENANCES, LANDSCAPE AND SITE FEATURES SHALL BE ACCOMPLISHED WITHOUT DAMAGING THE INTEGRITY OF EXISTING STRUCTURES, EQUIPMENT, PAVEMENT, APPURTENANCES, AND TREES TO REMAIN.
- 5. SUCH ITEMS THAT ARE DAMAGED SHALL BE EITHER REPAIRED OR REPLACED AT THE CONTRACTOR'S EXPENSE TO A CONDITION AT LEAST EQUAL TO THAT WHICH EXISTED PRIOR TO THE START OF HIS WORK TO THE SATISFACTION OF THE DESIGN ENGINEER AND/OR THE OWNER.
- 6. PROVIDE TWO (2) COPIES OF PROPOSED METHODS AND OPERATIONS OF DEMOLITION TO THE OWNER AND ENGINEER FOR REVIEW PRIOR TO THE START OF WORK. INCLUDE IN THE SCHEDULE THE COORDINATION FOR SHUTOFF, CAPPING AND CONTINUATION OF UTILITY SERVICES AS REQUIRED.
- 7. PROVIDE A DETAILED SEQUENCE OF WORK TO THE DESIGN ENGINEER AND THE OWNER FOR DEMOLITION AND REMOVAL WORK TO ENSURE THE UNINTERRUPTED PROGRESS OF THE OWNER'S OPERATIONS.
- 8. ENSURE THE SAFE PASSAGE OF PERSONS AROUND THE AREA OF DEMOLITION. CONDUCT OPERATIONS TO PREVENT INJURY TO ADJACENT BUILDINGS, STRUCTURES, OTHER FACILITIES AND PERSONS.
- 9. PROVIDE INTERIOR AND EXTERIOR SHORING, BRACING, OR SUPPORT TO PREVENT MOVEMENT, SETTLEMENT OR COLLAPSE OF STRUCTURES TO BE DEMOLISHED AND ADJACENT FACILITIES TO REMAIN.
- 10. THE CONTRACTOR SHALL PROMPTLY REPAIR DAMAGES CAUSED BY DEMOLITION OPERATIONS TO ADJACENT FACILITIES AT NO COST TO THE OWNER.
- 11. THE EXISTING BUILDING FOOTPRINT SHALL BE BACKFILLED WITH STRUCTURAL FILL AND COMPACTED TO AT LEAST 95% OF MAXIMUM DENSITY. CONTRACTOR SHALL CONSULT WITH A GEOTECHNICAL ENGINEER FOR THE DETAILS & SPECIFICATIONS ON THE STRUCTURAL FILL. THE SLAB SHOULD BE CONSTRUCTED ON A MINIMUM 8 INCH THICK LAYER OF COMPACTED 3/4" CRUSHED STONE. COORDINATE WITH ALL ARCHITECTURAL AND STRUCTURAL DRAWINGS.

**WATER INSTALLATION NOTES:**

- 1. ALL WATER MAINS, SERVICES, GATE VALVES/GATE BOX, CURB STOPS, HYDRANTS, FITTINGS, ETC. & METHOD OF INSTALLATION SHALL CONFORM TO THE TOWN OF FAIRHAVEN WATER DEPARTMENTS RULES & REGULATIONS.
- 2. RETAINER GLANDS SHALL BE USED AT ALL JOINTS (ANCHOR TEE, GATE VALVES, HYDRANT AND ALL FITTINGS). RETAINER GLANDS SHALL BE OF THE LOCKING GLAND-TYPE, MEGALUG OR SERIES 100, AS MANUFACTURED BY EBBA IRON.
- 3. WATER MAIN SHALL BE TESTED & DISINFECTED IN ACCORDANCE WITH THE TOWN OF FAIRHAVEN WATER DEPARTMENT REQUIREMENTS.
- 4. CONTRACTOR TO COORDINATE WITH THE TOWN OF FAIRHAVEN WATER DEPARTMENT FOR THE INSPECTIONS OF THE WATER MAIN INSTALLATION.
- 5. THE CONTRACTOR SHALL OBTAIN ALL NECESSARY PERMITS TO COMPLETE THE INSTALLATION OF THE WATER SERVICE.
- 6. THE CONTRACTOR SHALL OBTAIN A COPY OF THE REGULATIONS FROM THE TOWN OF FAIRHAVEN WATER DEPARTMENT BEFORE PROCEEDING WITH THE INSTALLATION OF THE WATER SERVICE.

**ABBREVIATIONS**

AC	ASBESTIC CONCRETE
ADS	ADVANCED DRAINAGE SYSTEM
APPROX.	APPROXIMATE
BC	BOTTOM OF CURB
BIT. CONC.	BITUMINOUS CONCRETE
BLDRS	BOULDERS
BW	BOTTOM OF WALL
BYW	BORDERING VEGETATED WETLANDS
CB	CATCH BASIN
CB/DH	CONCRETE BOUND/DRILL HOLE
CCA	CAPE COD BERM
CEM.	CEMENT
C.I. CONC.	CAST IRON CONCRETE
C.L.D.I.	CEMENT LINED DUCTILE IRON
CMP	CORRUGATED METAL PIPE
CPP	CORRUGATED PLASTIC PIPE
DIA	DIAMETER
DMH	DRAIN MANHOLE
D.J.	DUCTILE IRON
DCS	DRAINAGE CONTROL STRUCTURE
E	ELECTRIC
ELEV.,EL.	ELEVATION
EXP	EDGE OF PAVEMENT
EXT.	EXISTING
F.D.C.	FIRE DEPARTMENT CONNECTION
F.E.S.	FLARED END SECTION
F.F.E.	FINISHED FLOOR ELEVATION
FND.	FOUND
FP	FIRE PROTECTION
G	GAS
GG,GV	GAS GATE, GAS VALVE
H.C.	HANDICAP PARKING
H.D.P.E.	HIGH DENSITY POLYETHYLENE
HYD	HYDRANT
INV.	INVERT
MAX	MAXIMUM
MED	MEDIUM
MIN.	MINIMUM
N.T.S.	NOT TO SCALE
N.F.	NOW OR FORMERLY
OHW	OVERHEAD WIRE
PCC	PRECAST CONCRETE CURBING
PVC	POLYVINYL CHLORIDE PIPE
PROP.	PROPOSED
RCP	REINFORCED CONCRETE PIPING
R	RADIUS
R&D	REMOVE AND DISPOSE
R&S	STONE AND STOCK
SB/DH	STONE BOUND/DRILL HOLE
S	SEWER
SGC	SLOPED GRANITE CURBING
SMH	SEWER MANHOLE
STA	STATION
TC	TOP OF CURB
TW	TOP OF WALL
TYP.	TYPICAL
T/O/F	TOP OF FOUNDATION
UP	UTILITY POLE
UE	UNDERGROUND ELECTRIC
VCC	VERTICAL GRANITE CURB
W	WATER
WG,WV	WATER GATE, WATER VALVE
WQS	WATER QUALITY STRUCTURE

EXISTING	DESC.	PROPOSED
35	CONTOURS	35
32x5	SPOT GRADES	32x5
	WETLANDS	32x5
	100' BUFFER ZONE	
	100' RIVERFRONT AREA	
	200' RIVERFRONT AREA	
	F.E.M.A. FLOOD ZONE	
D	DRAIN LINE	D
RD	ROOF DRAIN LINE	RD
CB	CATCH BASIN (CB)	CB
DMH	DRAIN MANHOLE (DMH)	DMH
EMH	ELECTRIC MANHOLE (EMH)	EMH
UE	UNDERGROUND UTILITIES	UE
OHW	OVERHEAD WIRES	OHW
	UTILITY POLE	
	GUY POLE	
	WATER GATE VALVE	
	WATER SHUTOFF/CURB STOP	
	HYDRANT	
	POST INDICATOR VALVE	
	WATER LINE	
FP	FIRE PROTECTION LINE	FP
SMH	SEWER MANHOLE (SMH)	SMH
S	SEWER LINE	S
	TREELINE	
	LIGHT POST	
	GAS LINE	
	GAS GATE/VALVE	
	GAS SHUTOFF	
	GAS METER	
	SIGN	
	FENCE	
	BOUND	
	TEST PIT/PERC TEST	
	SILT FENCE	
	GUARD RAIL	
	FLARED END SECTION	
	STONE WALL	

PERMIT SET  
(NOT FOR CONSTRUCTION)

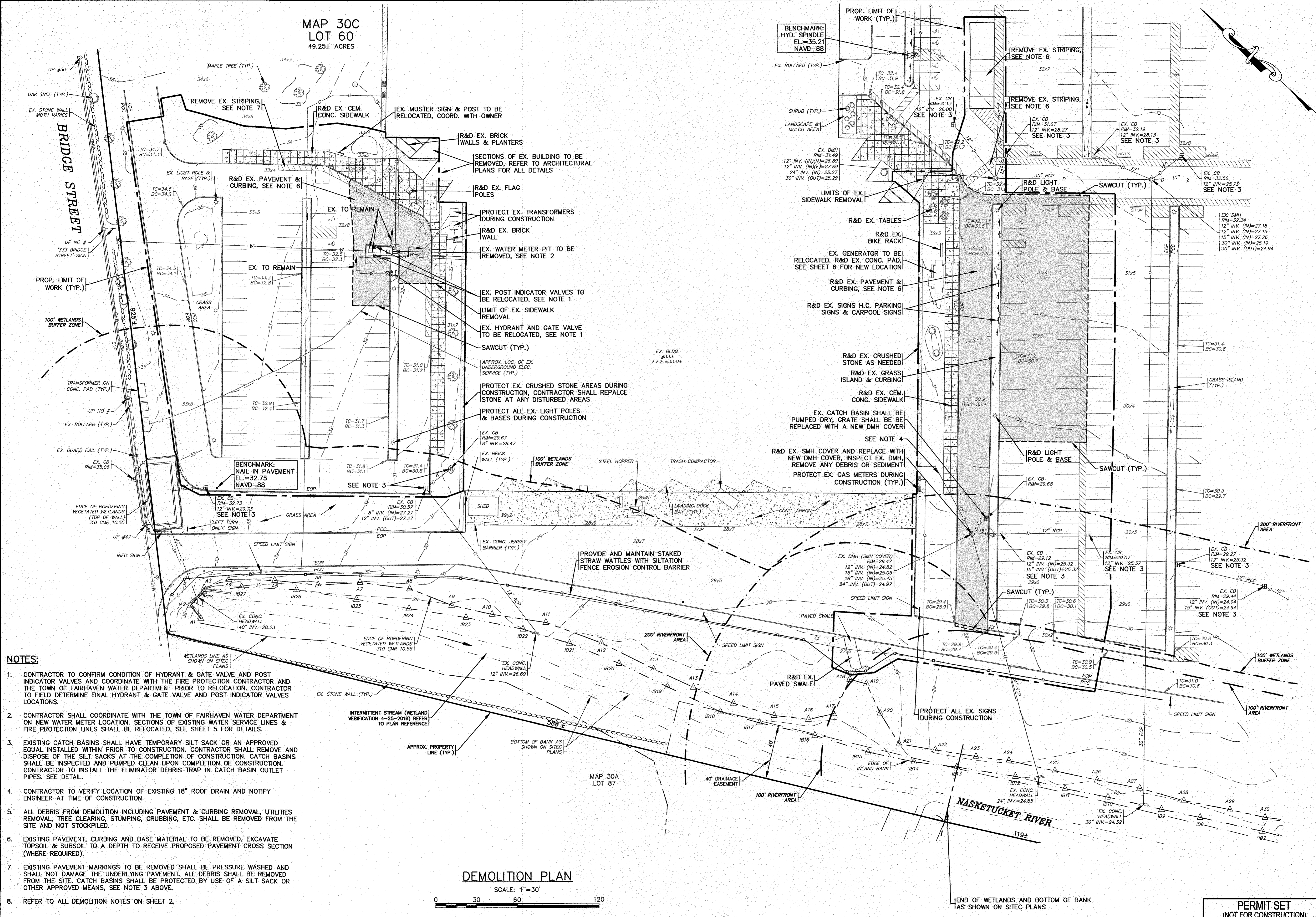
DATE: JAN. 14, 2020	DRAWN BY: JMP	CHECKED BY: WFM	JOB NO.: 19-9364	SCALE: N.T.S.	DATE: 1/26/20	REV. 1	BY: JMP	FOR CON. COM. FILING	DESCRIPTION
APPROVED BY: [Signature]									
G.A.F. ENGINEERING, INC. PROFESSIONAL ENGINEERS & LAND SURVEYORS 266 MAIN STREET - WAREHAM, MA 02571 TEL: (508) 295-6600 FAX: (508) 295-6634 E-MAIL: gal@gaf-eng.com									
SITE IMPROVEMENTS PLAN GENERAL NOTES & LEGEND FAIRHAVEN, MA PREPARED FOR: ACUSHNET COMPANY 333 BRIDGE STREET FAIRHAVEN, MA									
JOB NO.: 19-9364 DWG. 2 OF 8									







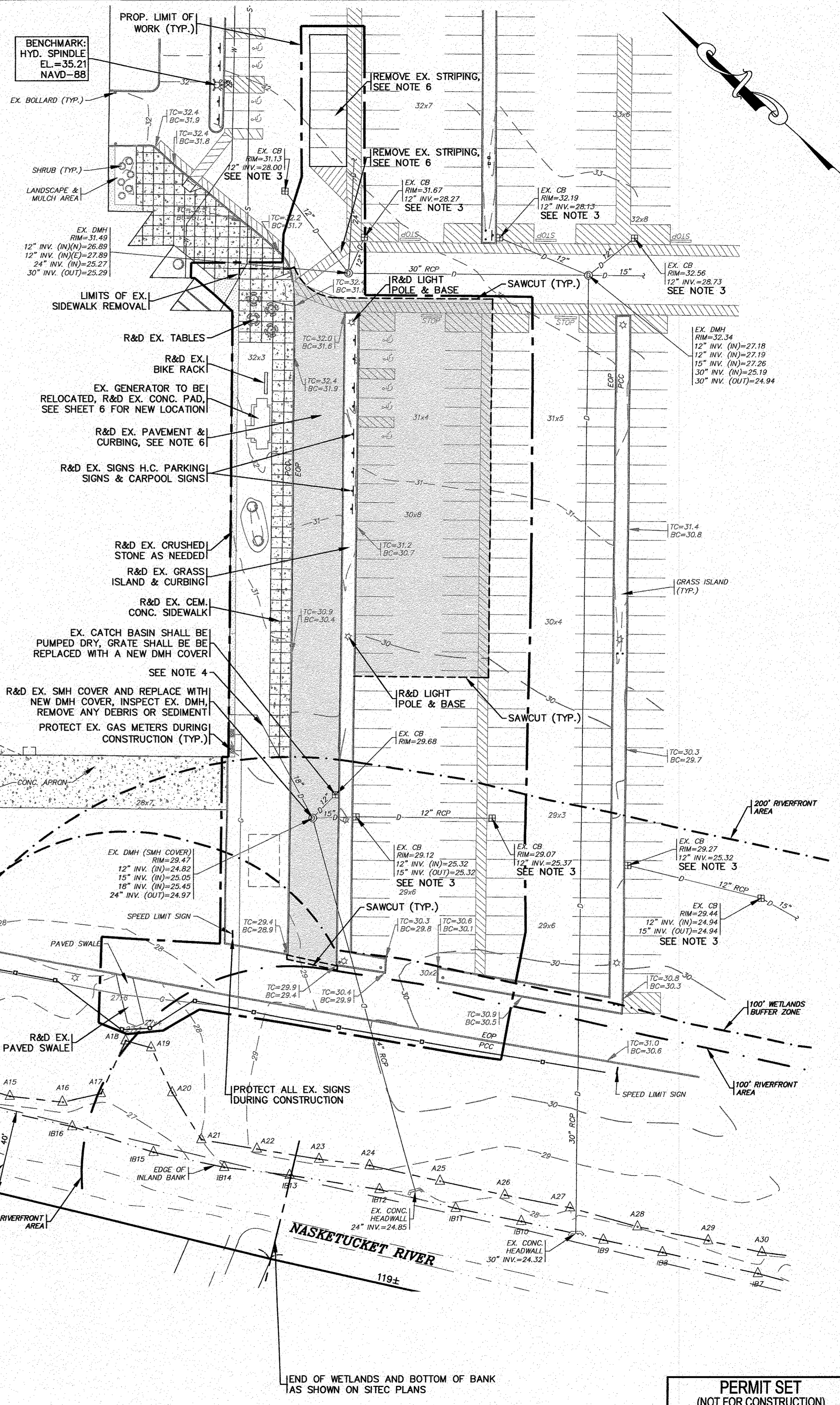
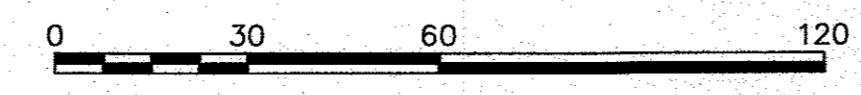
MAP 30C  
LOT 60  
49.25± ACRES



- NOTES:**
- CONTRACTOR TO CONFIRM CONDITION OF HYDRANT & GATE VALVE AND POST INDICATOR VALVES AND COORDINATE WITH THE FIRE PROTECTION CONTRACTOR AND THE TOWN OF FAIRHAVEN WATER DEPARTMENT PRIOR TO RELOCATION. CONTRACTOR TO FIELD DETERMINE FINAL HYDRANT & GATE VALVE AND POST INDICATOR VALVES LOCATIONS.
  - CONTRACTOR SHALL COORDINATE WITH THE TOWN OF FAIRHAVEN WATER DEPARTMENT ON NEW WATER METER LOCATION. SECTIONS OF EXISTING WATER SERVICE LINES & FIRE PROTECTION LINES SHALL BE RELOCATED, SEE SHEET 5 FOR DETAILS.
  - EXISTING CATCH BASINS SHALL HAVE TEMPORARY SILT SACK OR AN APPROVED EQUAL INSTALLED WITHIN PRIOR TO CONSTRUCTION. CONTRACTOR SHALL REMOVE AND DISPOSE OF THE SILT SACKS AT THE COMPLETION OF CONSTRUCTION. CATCH BASINS SHALL BE INSPECTED AND PUMPED CLEAN UPON COMPLETION OF CONSTRUCTION. CONTRACTOR TO INSTALL THE ELIMINATOR DEBRIS TRAP IN CATCH BASIN OUTLET PIPES. SEE DETAIL.
  - CONTRACTOR TO VERIFY LOCATION OF EXISTING 18" ROOF DRAIN AND NOTIFY ENGINEER AT TIME OF CONSTRUCTION.
  - ALL DEBRIS FROM DEMOLITION INCLUDING PAVEMENT & CURBING REMOVAL, UTILITIES REMOVAL, TREE CLEARING, STUMPING, GRUBBING, ETC. SHALL BE REMOVED FROM THE SITE AND NOT STOCKPILED.
  - EXISTING PAVEMENT, CURBING AND BASE MATERIAL TO BE REMOVED, EXCAVATE TOPSOIL & SUBSOIL TO A DEPTH TO RECEIVE PROPOSED PAVEMENT CROSS SECTION (WHERE REQUIRED).
  - EXISTING PAVEMENT MARKINGS TO BE REMOVED SHALL BE PRESSURE WASHED AND SHALL NOT DAMAGE THE UNDERLYING PAVEMENT. ALL DEBRIS SHALL BE REMOVED FROM THE SITE. CATCH BASINS SHALL BE PROTECTED BY USE OF A SILT SACK OR OTHER APPROVED MEANS, SEE NOTE 3 ABOVE.
  - REFER TO ALL DEMOLITION NOTES ON SHEET 2.

**DEMOLITION PLAN**

SCALE: 1"=30'



END OF WETLANDS AND BOTTOM OF BANK AS SHOWN ON SITEM PLANS

PERMIT SET  
(NOT FOR CONSTRUCTION)

DATE: JAN. 14, 2020		APPROVED BY:	
DRAWN BY: JMP		[Signature]	
CHECKED BY: WFM		[Signature]	
JOB NO.: 19-9364		REV. DATE	
SCALE: 1" = 30'		1 / 28 / 20	
		BY: WFM	
		FOR CON. COM. FILING	
		DESCRIPTION	
<p><b>G.A.F. ENGINEERING, INC.</b> PROFESSIONAL ENGINEERS &amp; LAND SURVEYORS 286 MAIN STREET - WAREHAM, MA 02571 TEL: (508) 295-6600 FAX: (508) 295-6634 E-MAIL: gaf@gaf-inc.com</p>			
<p><b>SITE IMPROVEMENTS PLAN</b> <b>DEMOLITION PLAN</b> FAIRHAVEN, MA</p>			
<p>PREPARED FOR: <b>ACUSHNET COMPANY</b> 333 BRIDGE STREET FAIRHAVEN, MA</p>			
JOB NO.: 19-9364		DWG. 4 OF 8	

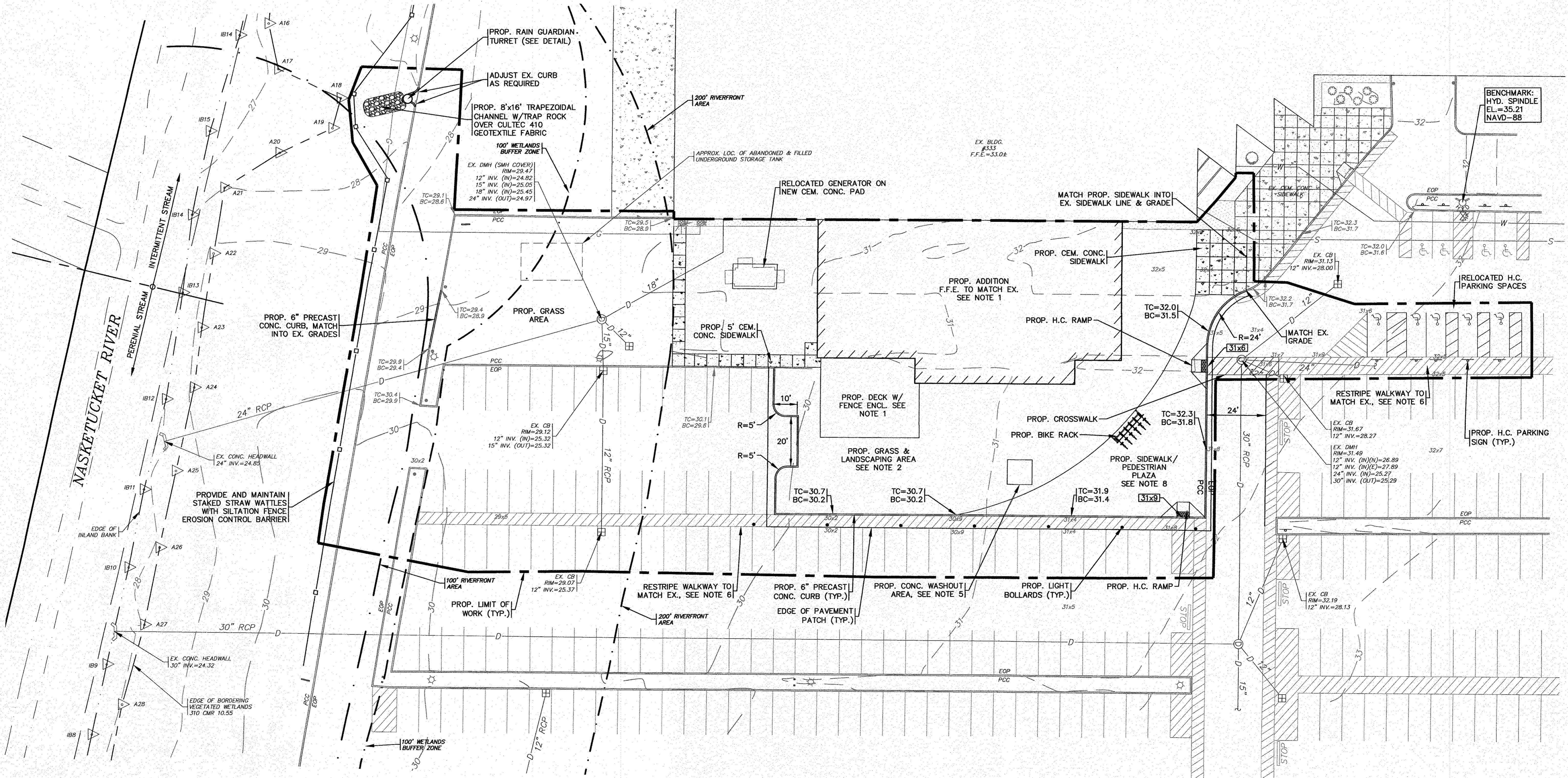
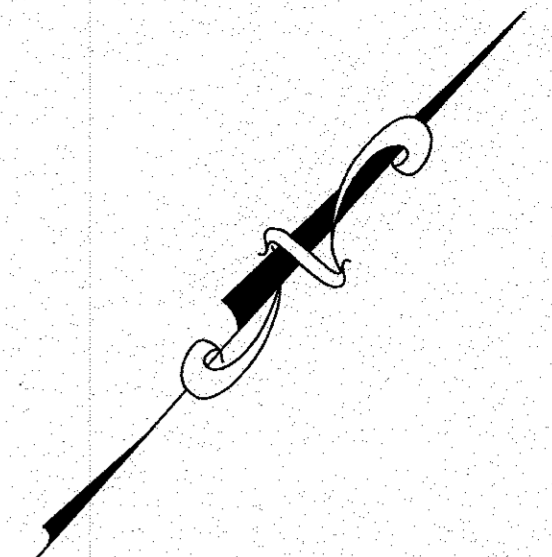




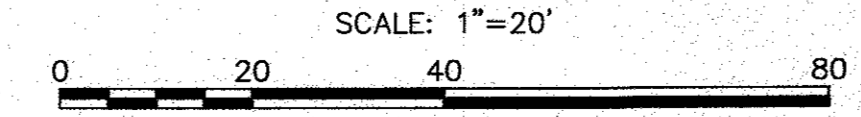


**NOTES:**

- REFER TO A SET OF ARCHITECTURAL PLANS PREPARED BY CUBE3 FOR ALL PROPOSED BUILDING ADDITION AND DECK DETAILS, DIMENSIONS AND SPECIFICATIONS.
- FOR LANDSCAPING DETAILS REFER TO A PLAN BY OTHERS.
- EXISTING CATCH BASINS SHALL HAVE TEMPORARY SILT SACK OR AN APPROVED EQUAL INSTALLED WITHIN PRIOR TO CONSTRUCTION. CONTRACTOR SHALL REMOVE AND DISPOSE OF THE SILT SACKS AT THE COMPLETION OF CONSTRUCTION. CATCH BASINS SHALL BE INSPECTED AND PUMPED CLEAN UPON COMPLETION OF CONSTRUCTION. CONTRACTOR TO INSTALL THE ELIMINATOR DEBRIS TRAP IN CATCH BASIN OUTLET PIPES. SEE DETAIL.
- CONTRACTOR SHALL PROVIDE AND MAINTAIN DEWATERING EQUIPMENT. SEE DETAIL ON SHEET 8. FINAL LOCATION FOR DEWATERING EQUIPMENT SHALL BE FIELD DETERMINED BY THE CONTRACTOR AT TIME OF CONSTRUCTION.
- CEMENT CONCRETE WASHOUT AREA SHALL BE A RING OF DOUBLE STAKED HAY BALES WITH SILTATION FENCE AND LINED WITH A 40 MIL. POLYETHYLENE BARRIER. SEE DETAIL ON SHEET 6. FINAL WASHOUT LOCATION SHALL BE FIELD DETERMINED BY THE CONTRACTOR AT THE TIME OF CONSTRUCTION.
- RESTRIPE ALL EXISTING PAVEMENT MARKINGS WITHIN THE WORK AREA TO MATCH EXISTING CONDITIONS AND DIMENSIONS.
- CONTRACTOR SHALL COORDINATE WITH OWNER FOR FINAL LIGHT BOLLARD CONSTRUCTION DETAILS AND LOCATIONS.
- CONTRACTOR SHALL COORDINATE WITH OWNER AND ARCHITECT FOR DETAILS AND SPECIFICATIONS ON THE PROPOSED SIDEWALK SURFACE FINISH.
- REFER TO BIKE RACK DETAILS BY OTHERS.
- LOAM AND SEED ALL DISTURBED AREAS.



**PROP. CONDITIONS PLAN-2**

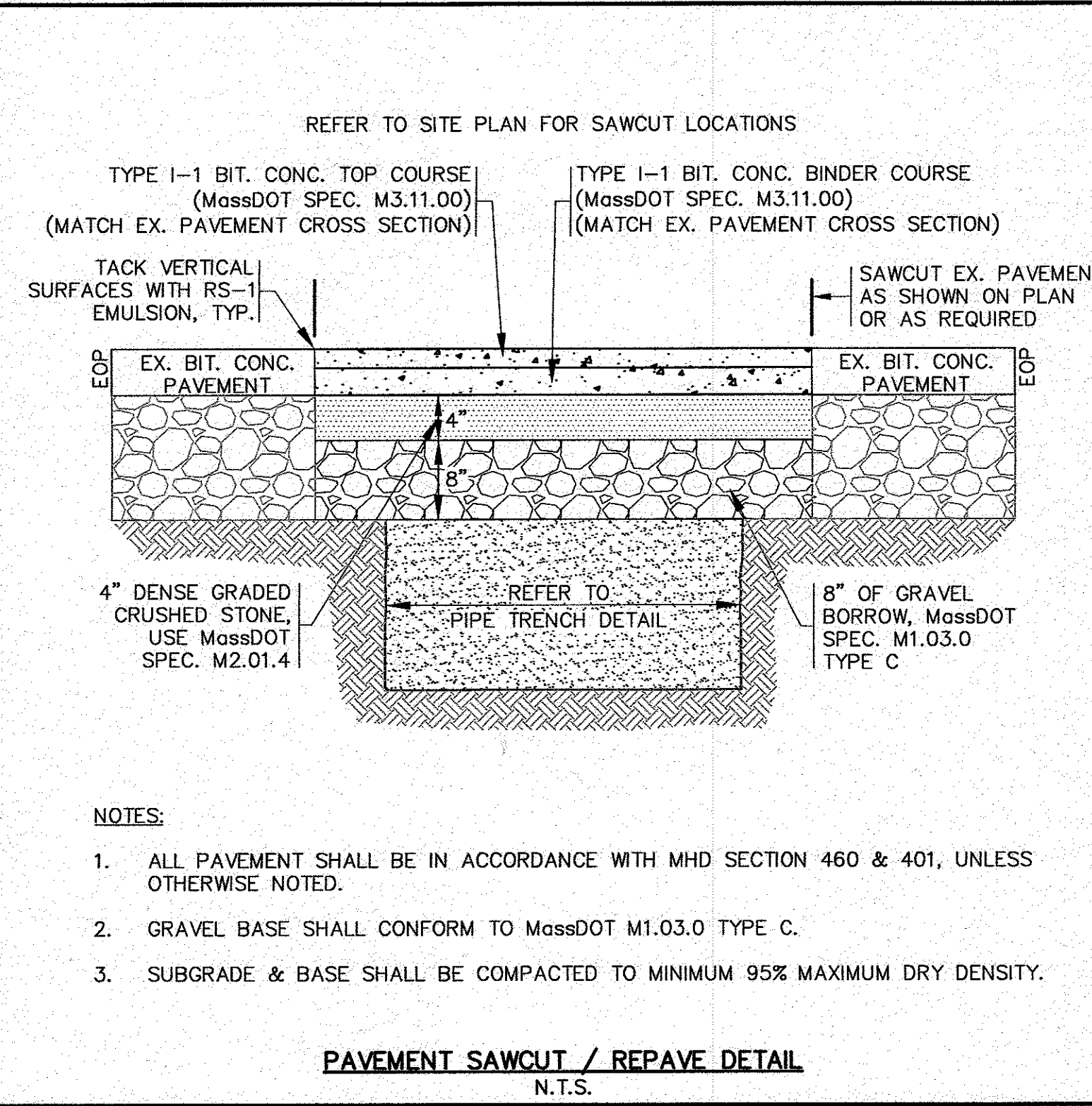
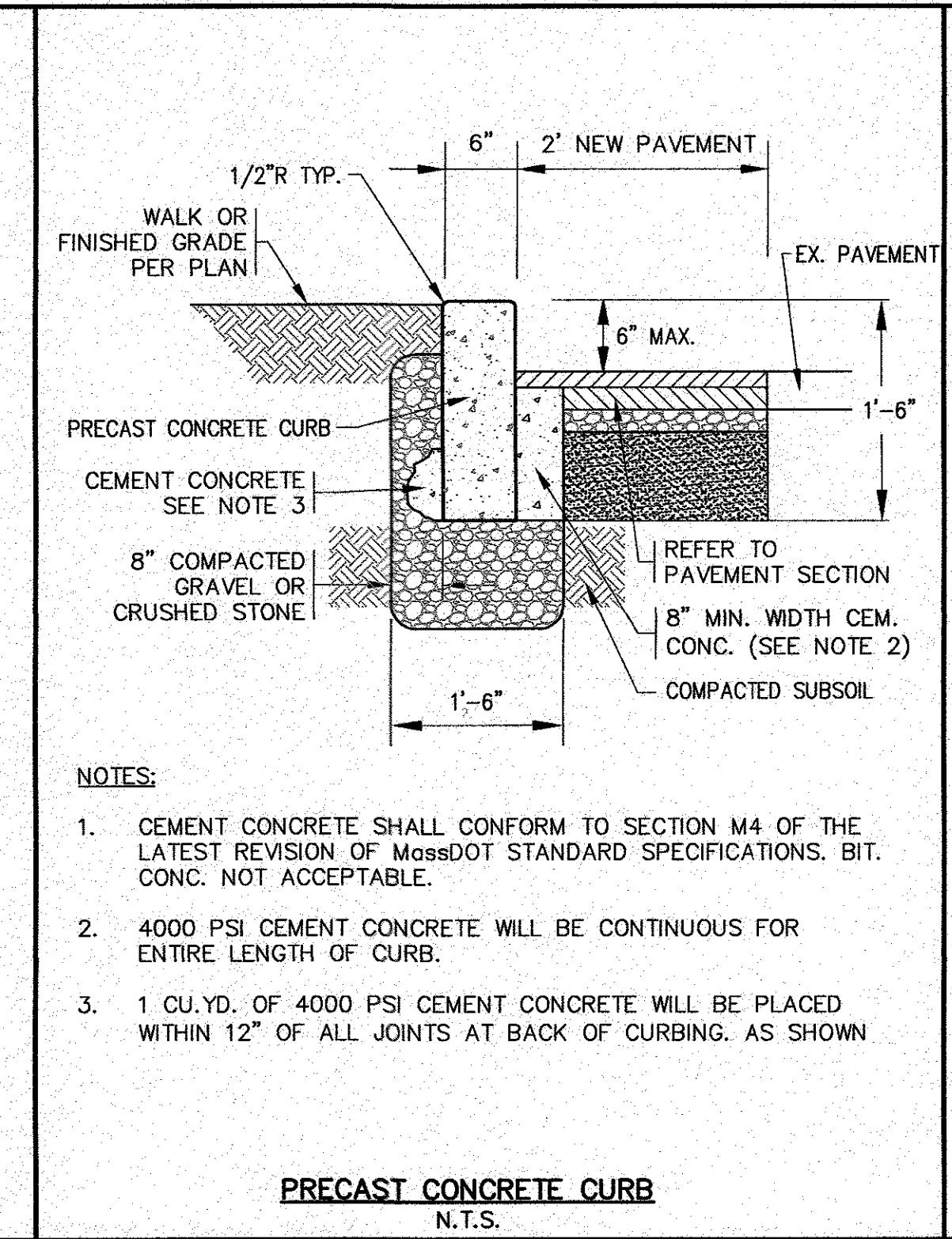
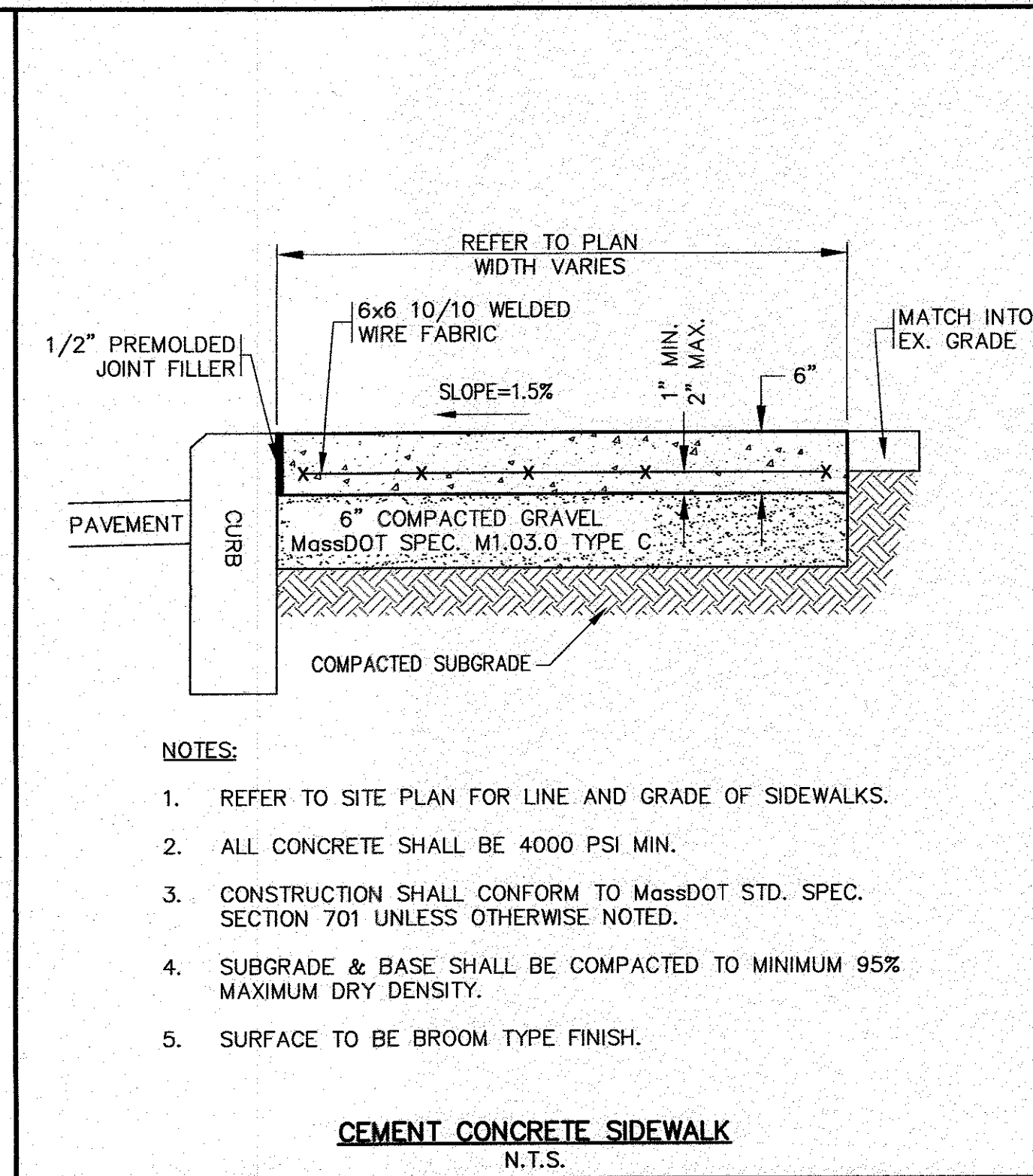
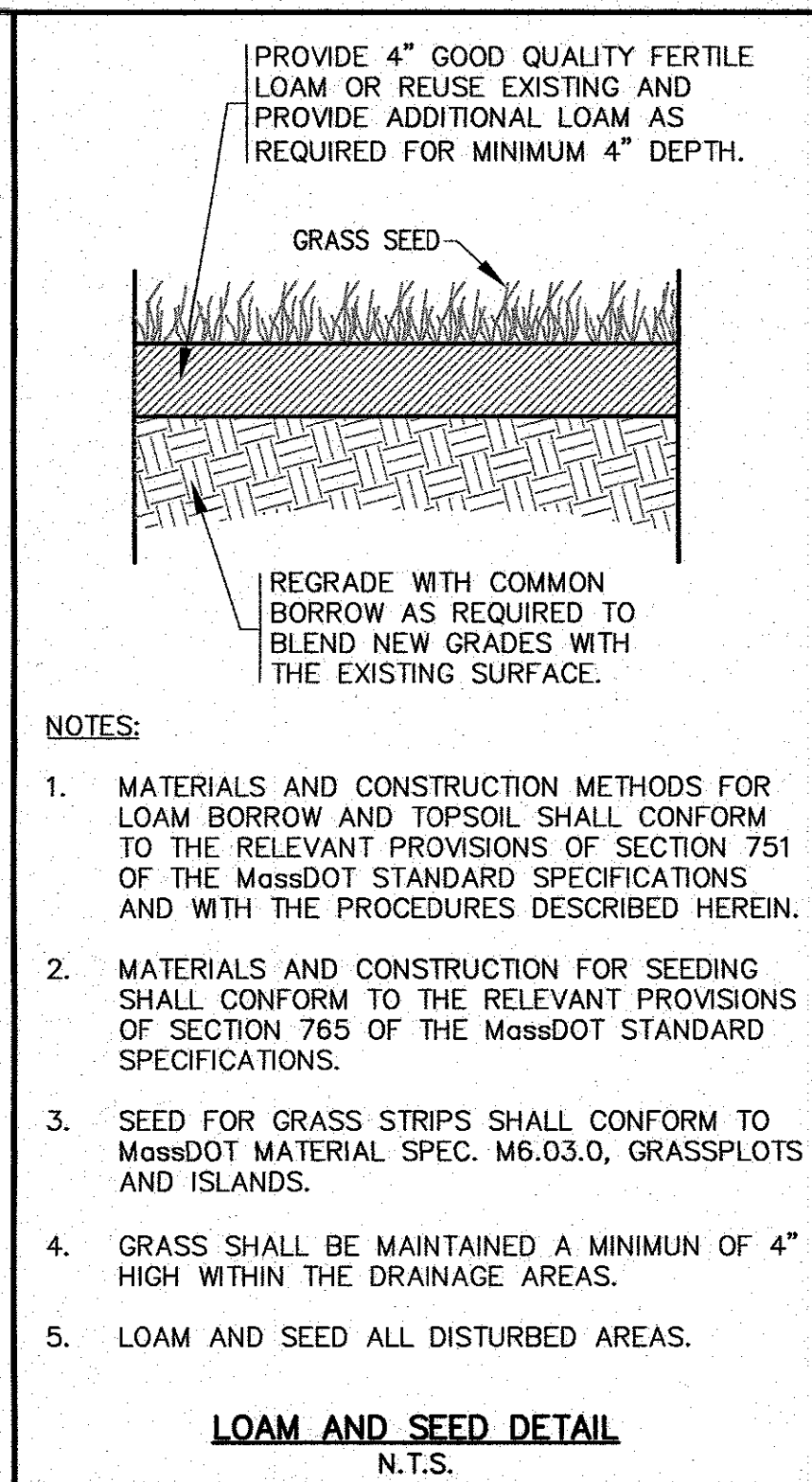
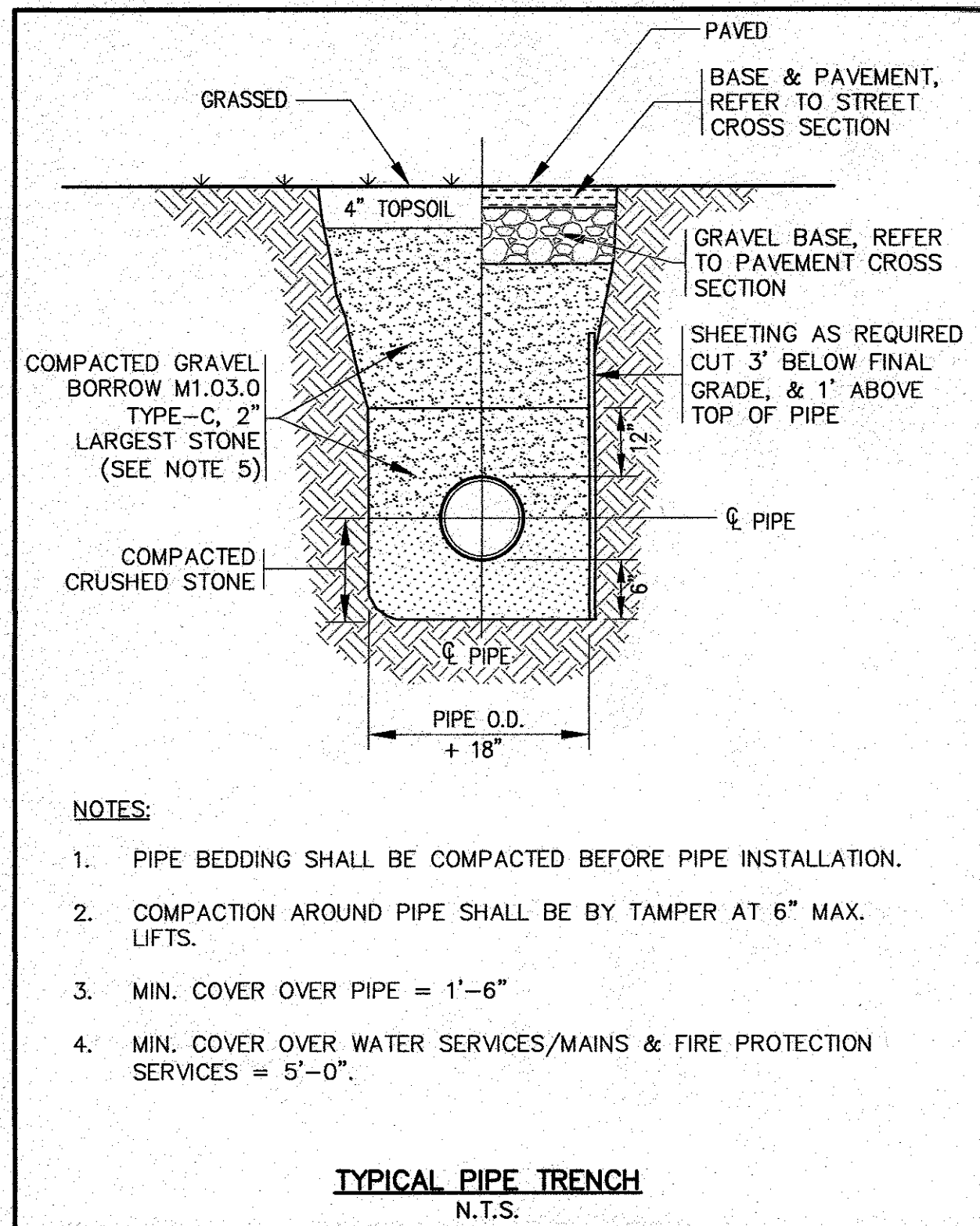


PERMIT SET  
(NOT FOR CONSTRUCTION)

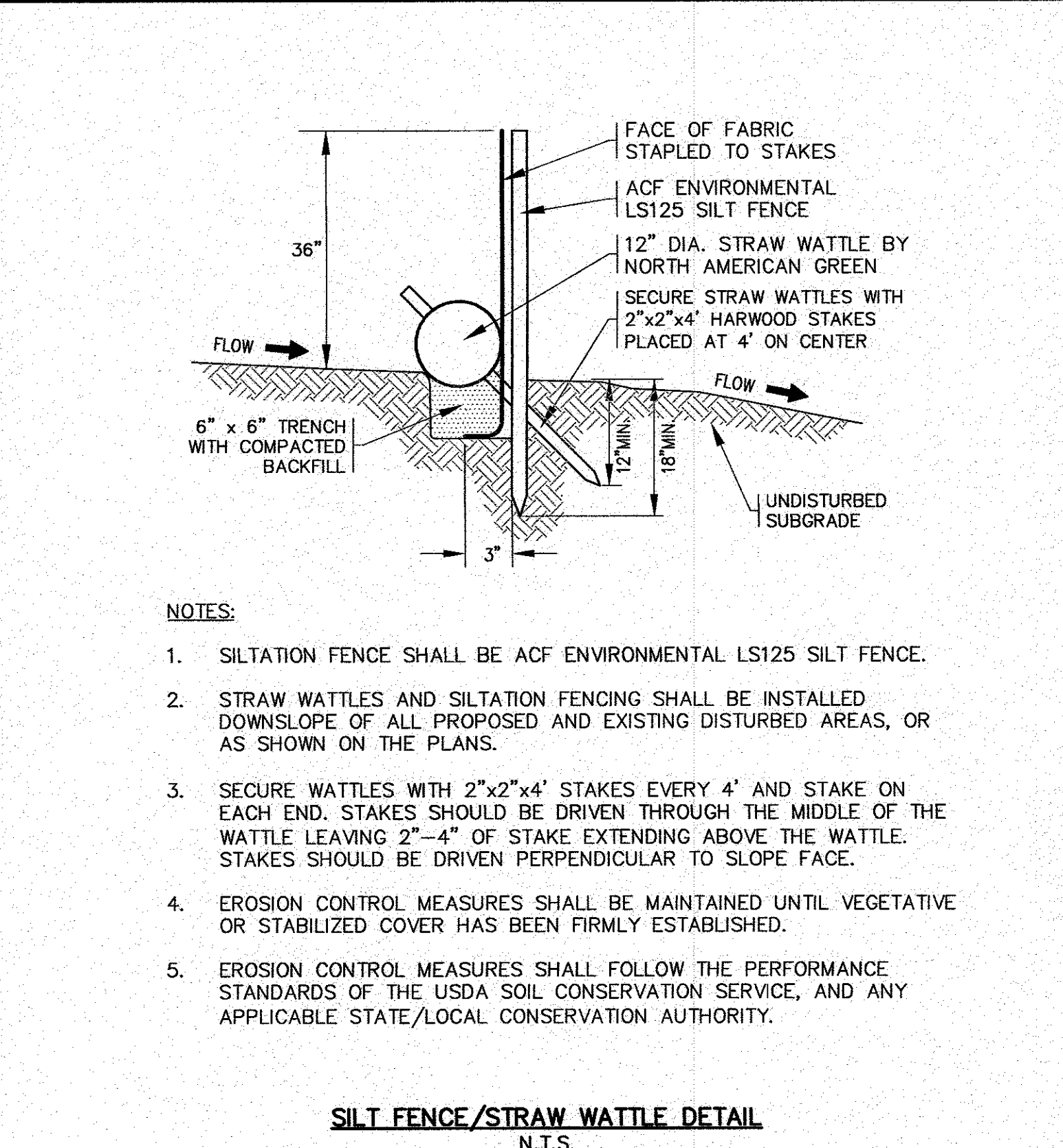
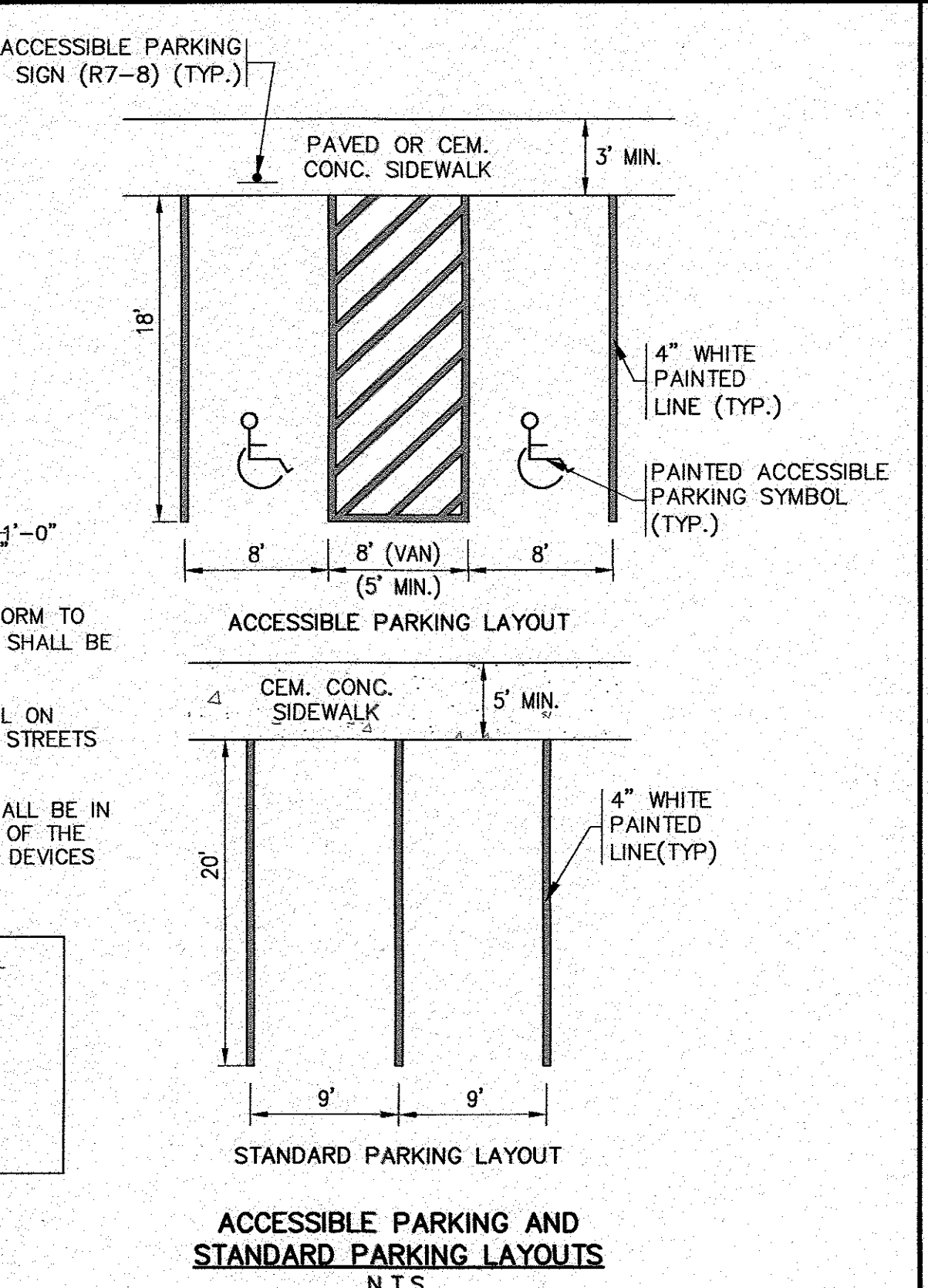
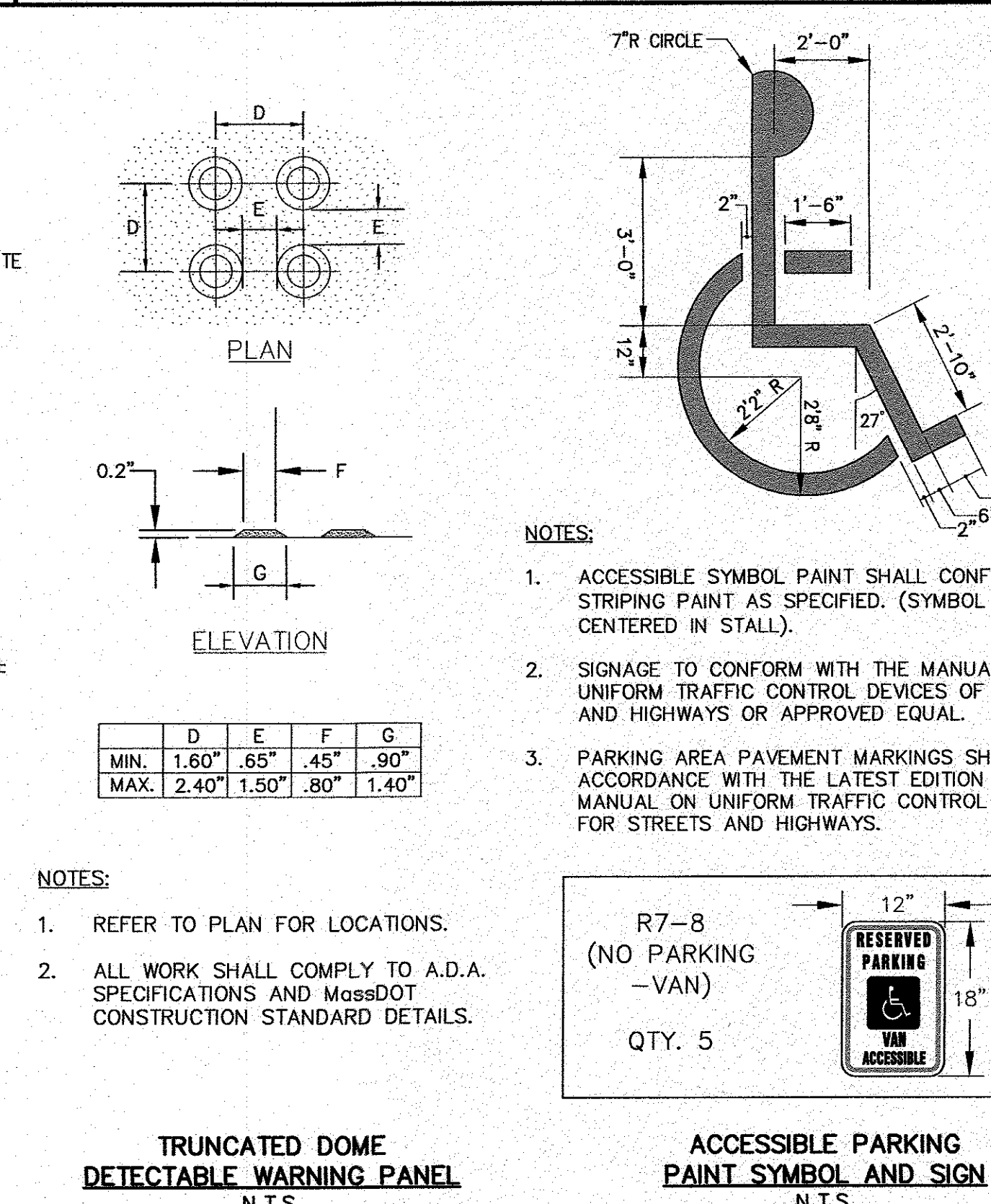
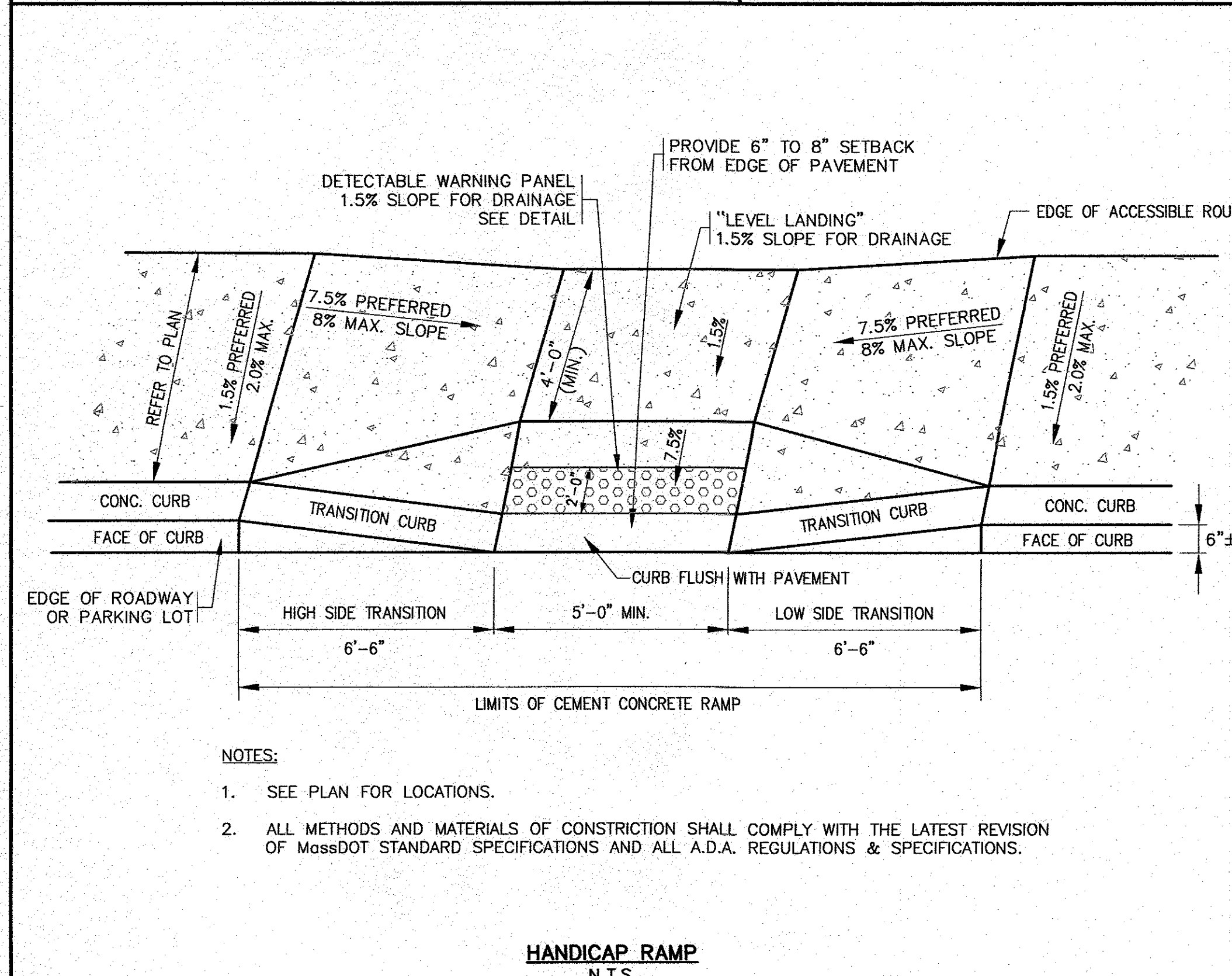
DATE: JAN. 6, 2020	DRAWN BY: JMP	CHECKED BY: WFM	JOB NO.: 19-9364	SCALE: 1" = 20'
APPROVED BY:				
<b>G.A.F. ENGINEERING, INC.</b> PROFESSIONAL ENGINEERS & LAND SURVEYORS 266 MAIN STREET - WARREN, MA 02571 TEL: (508) 295-6600 FAX: (508) 295-6634 E-MAIL: gaf@gaf-eng.com				
PREPARED FOR: <b>ACUSHNET COMPANY</b> 333 BRIDGE STREET FAIRHAVEN, MA				
<b>SITE IMPROVEMENTS PLAN</b> <b>PROPOSED CONDITIONS PLAN-2</b> 333 BRIDGE STREET FAIRHAVEN, MA				
JOB NO.:	19-9364	REV.:	DATE:	1/28/20
DWG.:	6 OF 8	BY:	JMP	WFM
		FOR CON. COM. FILING		
		DESCRIPTION		

H:\OFF DRAWINGS\2019 DRAWINGS\19-9364 (ACUSHNET COMPANY)\333 SITE PLAN\_PXL-1.dwg





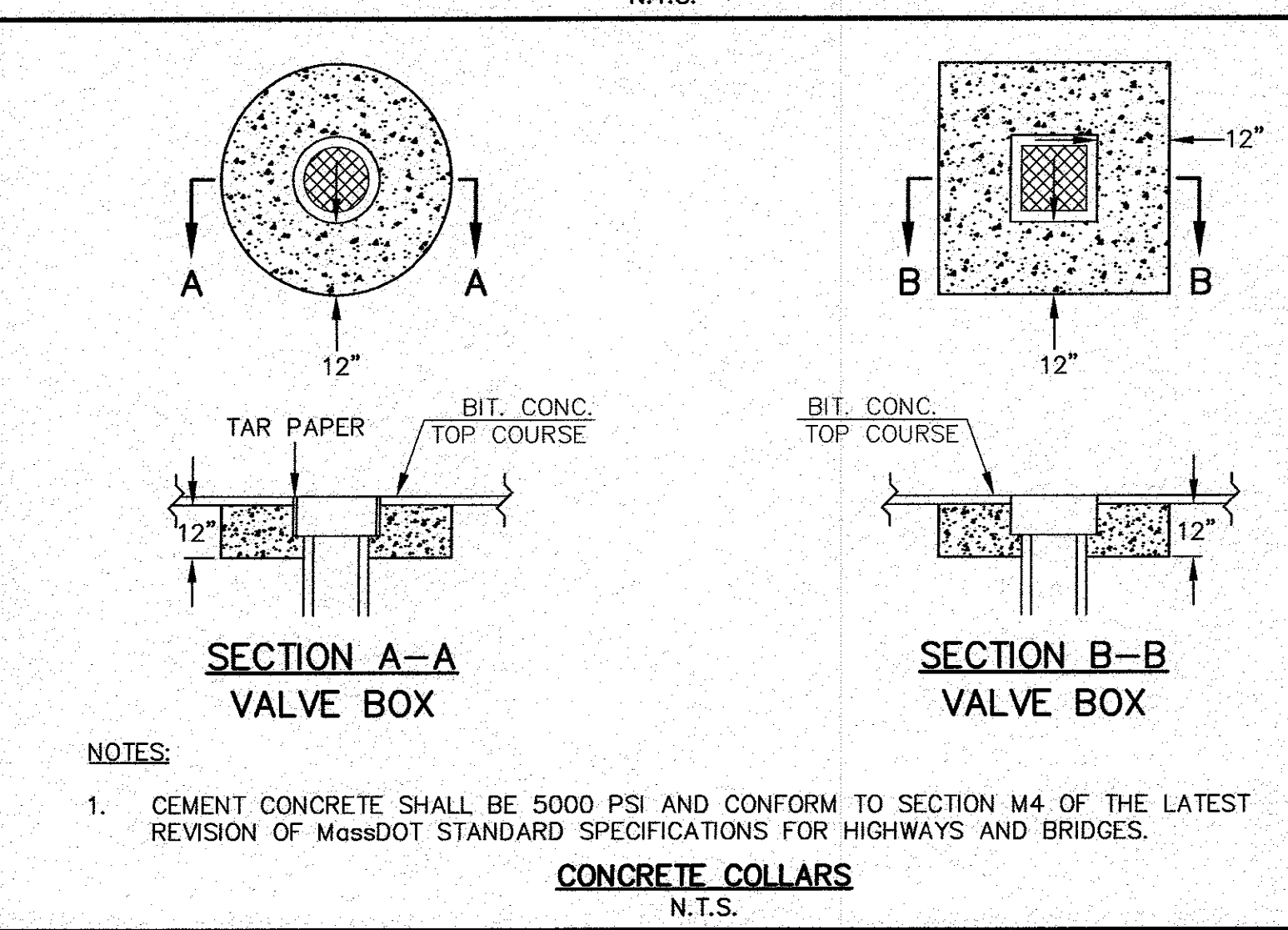
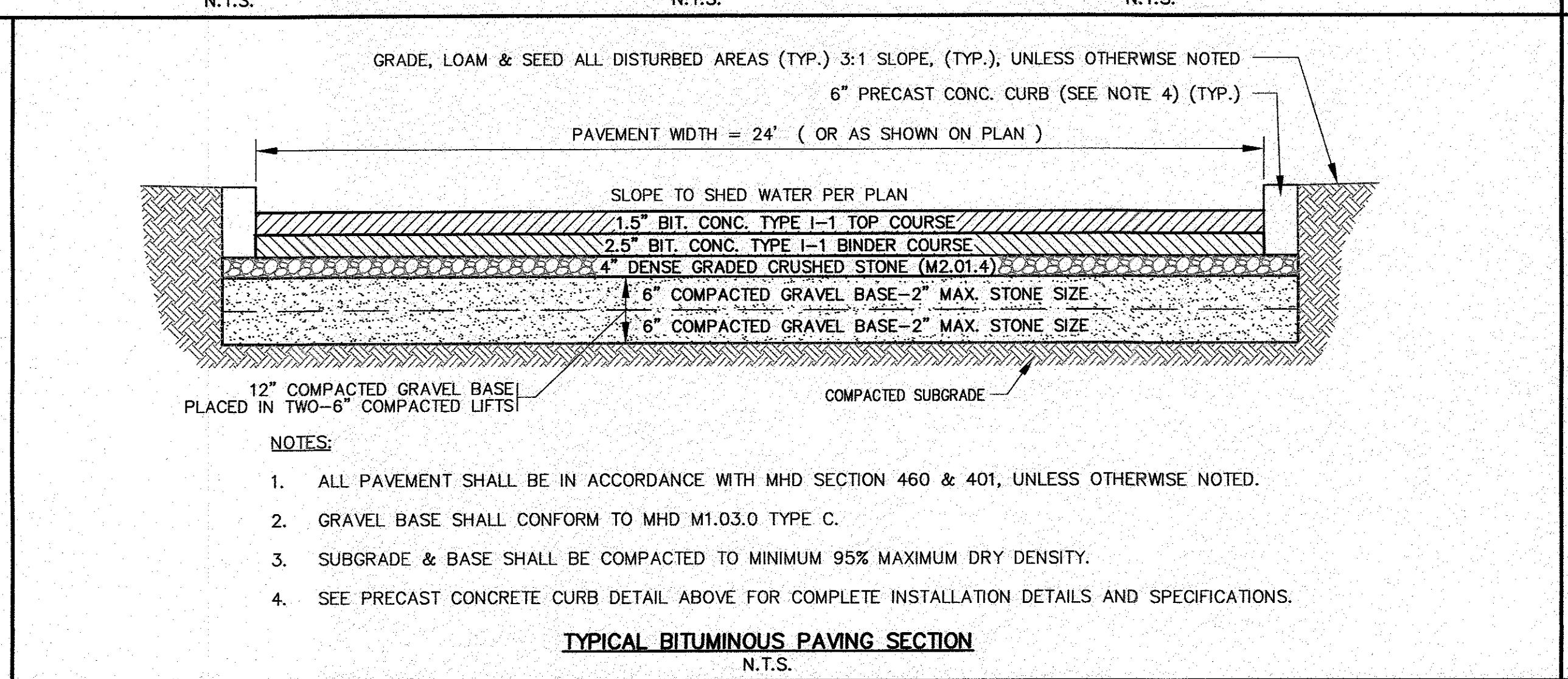
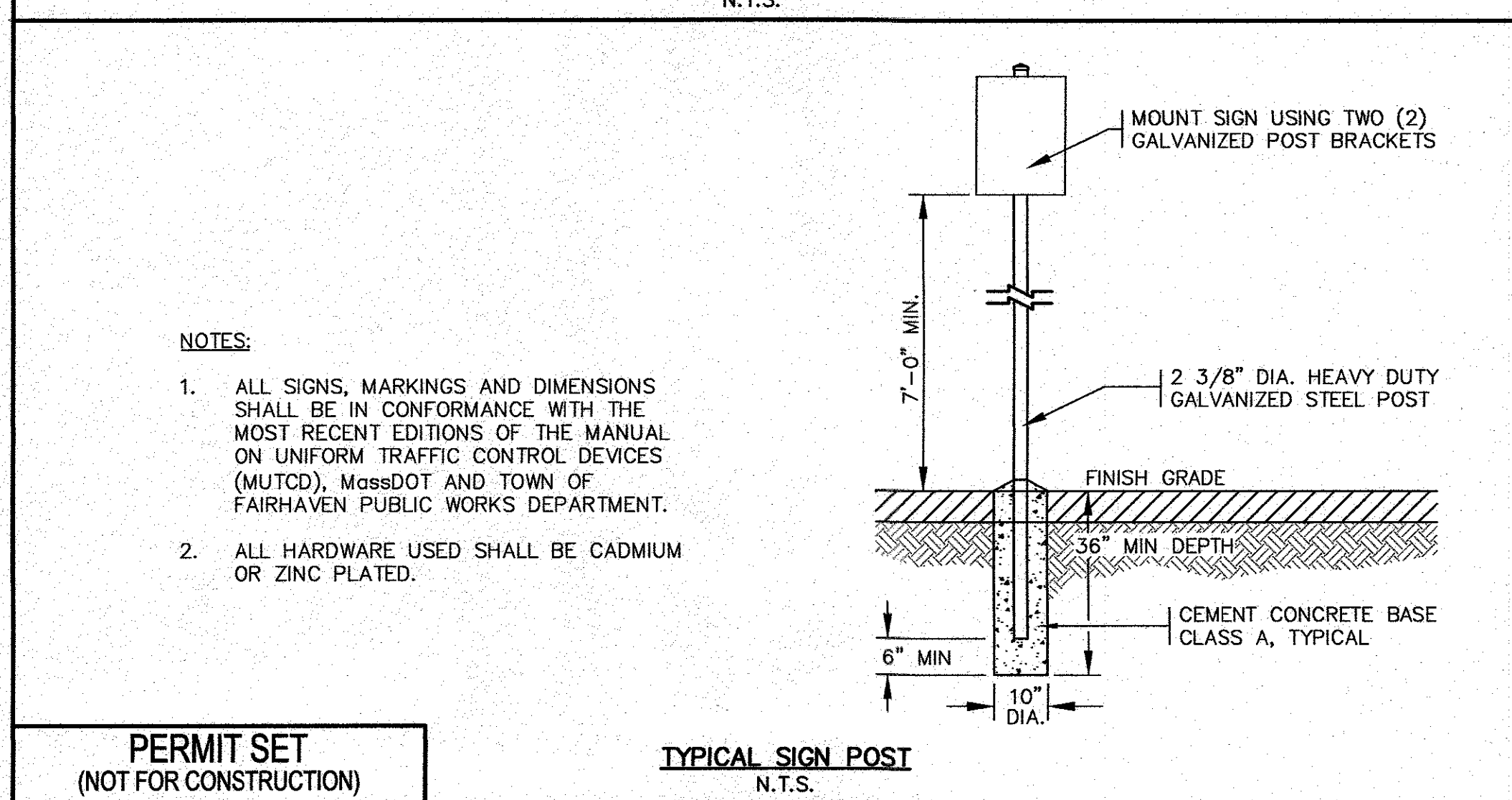
DATE: JAN. 14, 2020	DRAWN BY: JMF	CHECKED BY: WFM	JOB NO.: 19-9364	SCALE: N.T.S.	REV.	FOR CON. COM. FILING	DESCRIPTION
					1		



APPROVED BY: *[Signature]*

**C.A.F. ENGINEERING, INC.**  
PROFESSIONAL ENGINEERS & LAND SURVEYORS  
286 MAIN STREET - WARREN, MA 02571  
TEL: (508) 295-6600 FAX: (508) 295-6634  
E-MAIL: gcf@caf-eng.com

WILMA M. MODER  
REGISTERED PROFESSIONAL ENGINEER  
NO. 23883

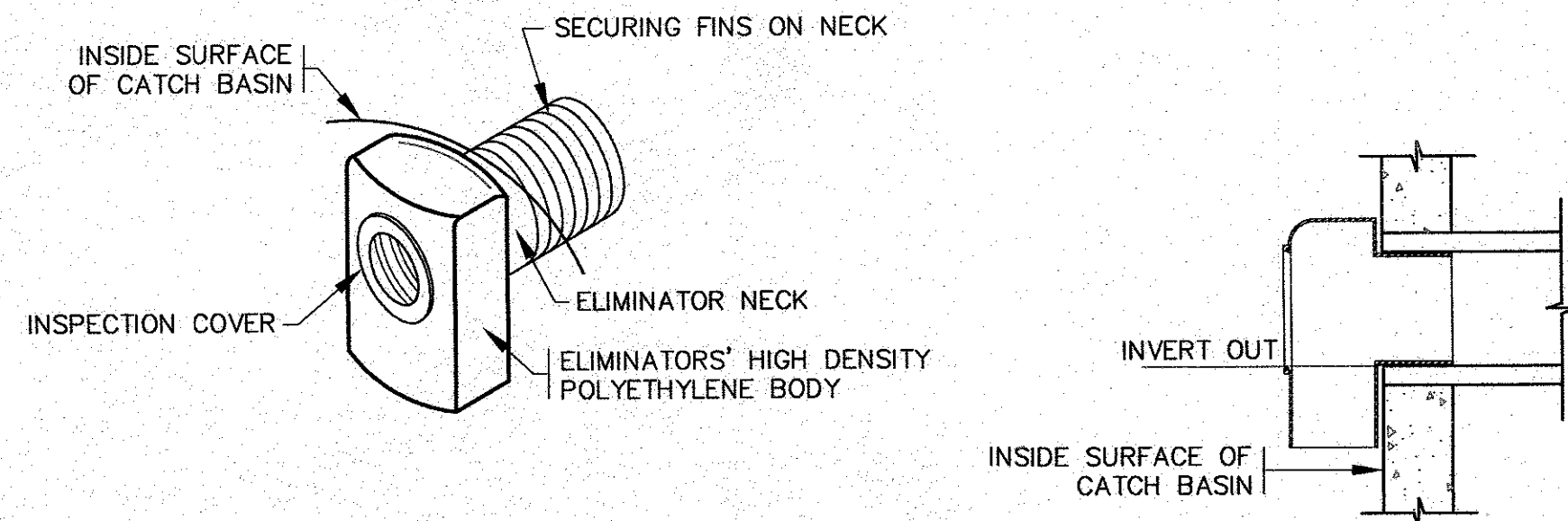


**SITE IMPROVEMENTS PLAN  
DETAIL SHEET 1**

PREPARED FOR:  
**ACUSHNET COMPANY**  
FAIRHAVEN, MA  
333 BRIDGE STREET

JOB NO.: 19-9364  
DWG. 7 OF 8

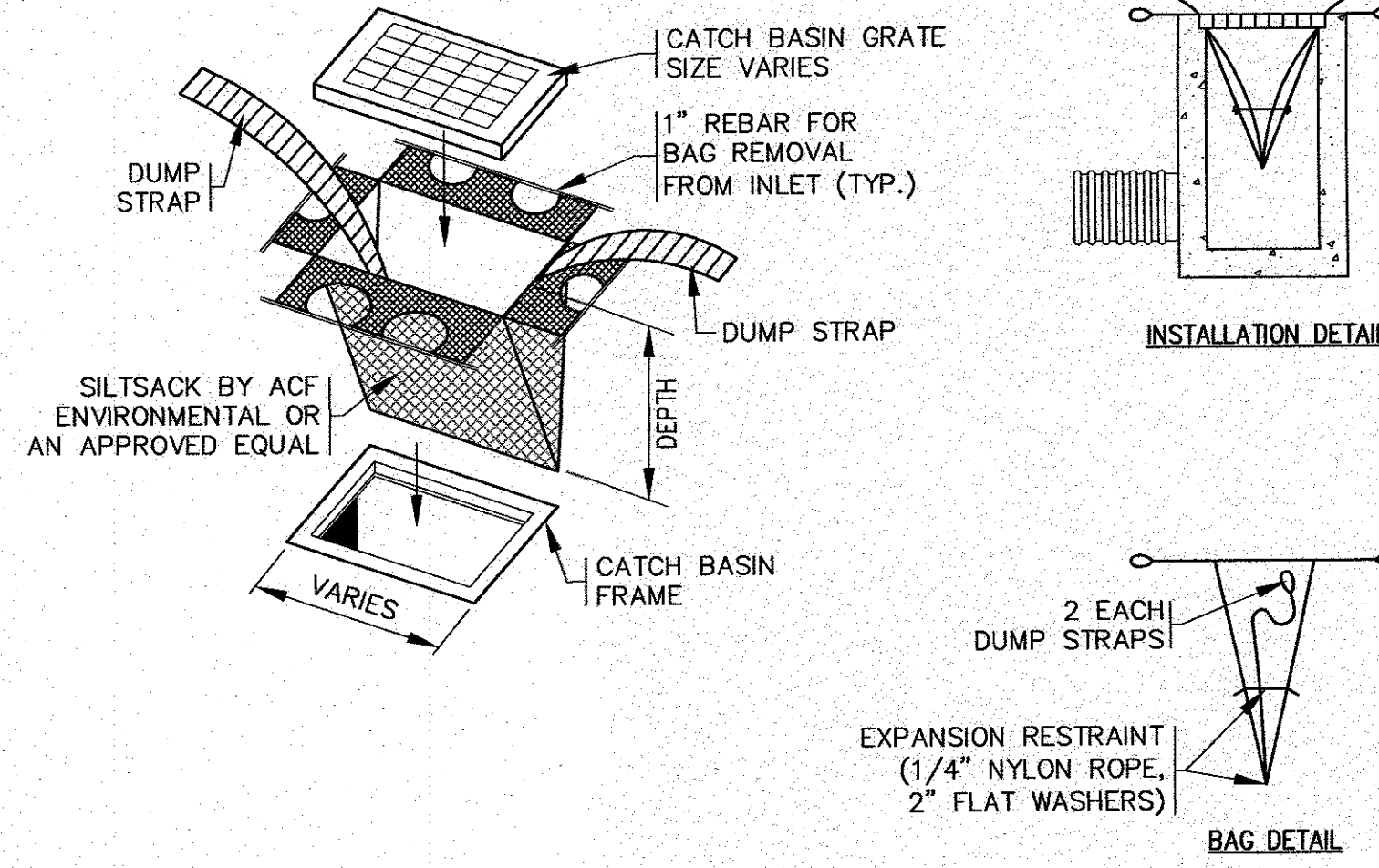




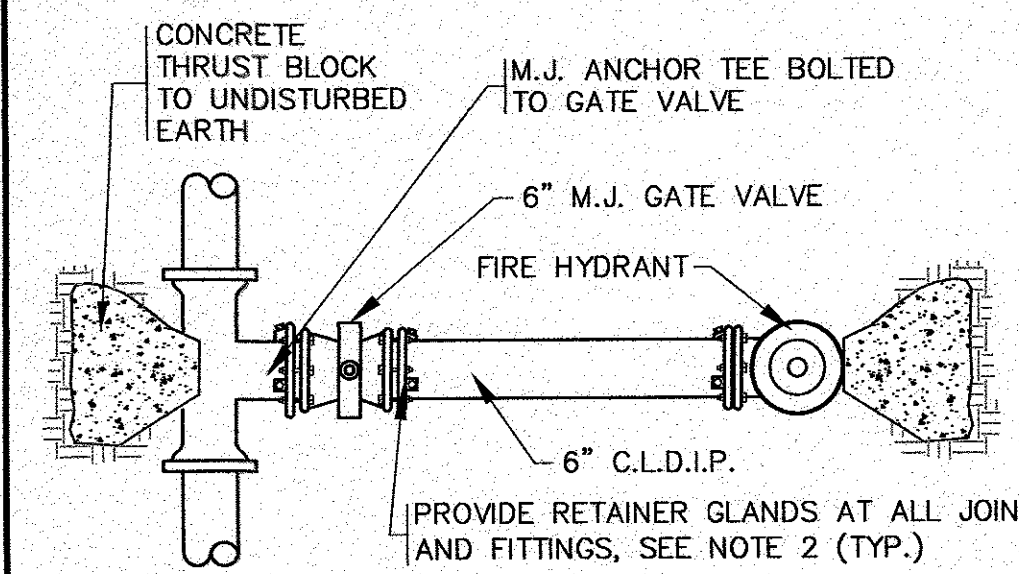
**ELIMINATOR NOTES:**

1. THE ELIMINATOR SHALL BE INSTALLED IN ACCORDANCE WITH THE MANUFACTURERS INSTRUCTIONS.
2. THE PIPE WHERE THE ELIMINATOR IS INSTALLED SHALL BE CLEANED OF ALL DEBRIS.
3. POSITION THE ELIMINATOR INTO THE OPENING OF THE PIPE, ENSURE THE UNIT IS IN THE UPRIGHT POSITION AND APPLY FOWARD PRESSURE UNTIL THE BACK OF THE UNIT IS FLUSH WITH THE INSIDE WALL OF THE BASIN STRUCTURE.
4. APPLY A LIGHT COATING OF PIPE SOAP TO THE INSPECTION PORT FACE, ALIGN CLEANOUT COVER EARS WITH THE GROOVES IN THE UNITS FACE AND TURN CLOCKWISE TO SECURE COVER.
5. HOOD SHALL BE "THE ELIMINATOR" OIL & FLOATING DEBRIS TRAP AS MANUFACTURED BY GROUND WATER RESCUE, INC., QUINCY, MA., TEL 617-773-1128 ON THE WEB @ WWW.KLEANSTREAM.COM.

**ELIMINATOR DEBRIS TRAP**  
N.T.S.



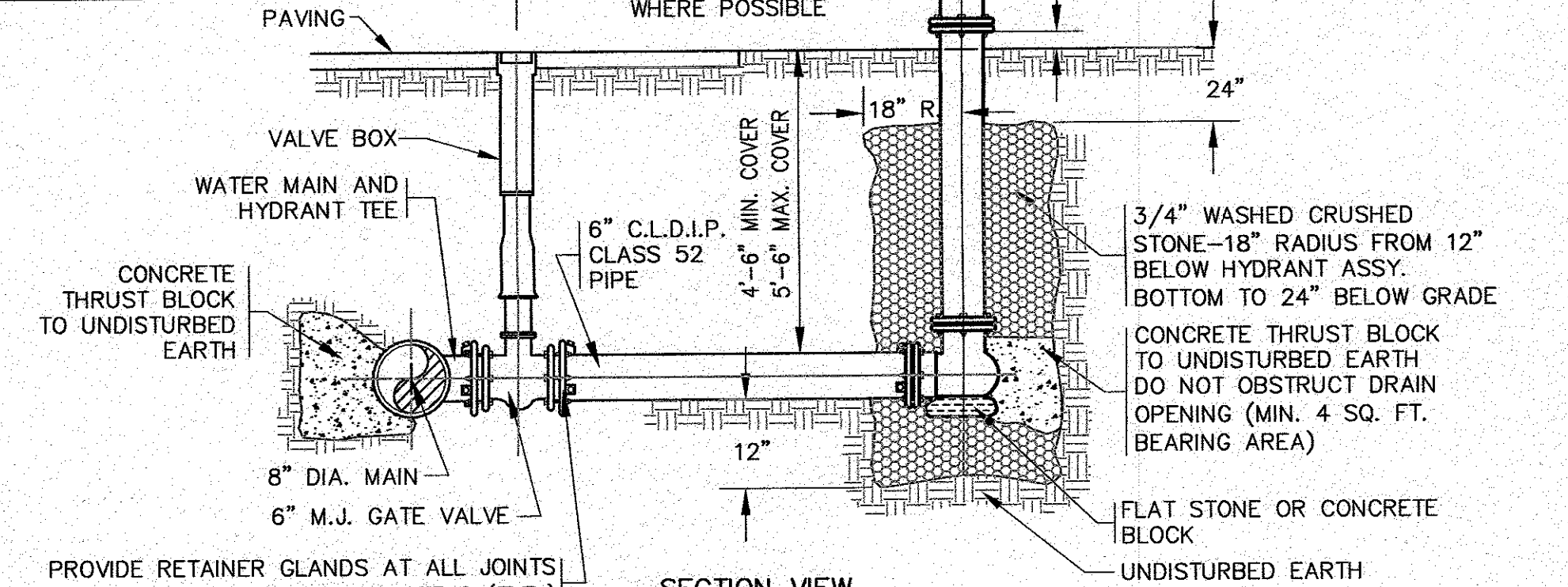
**SILT SACK DETAIL**  
N.T.S.



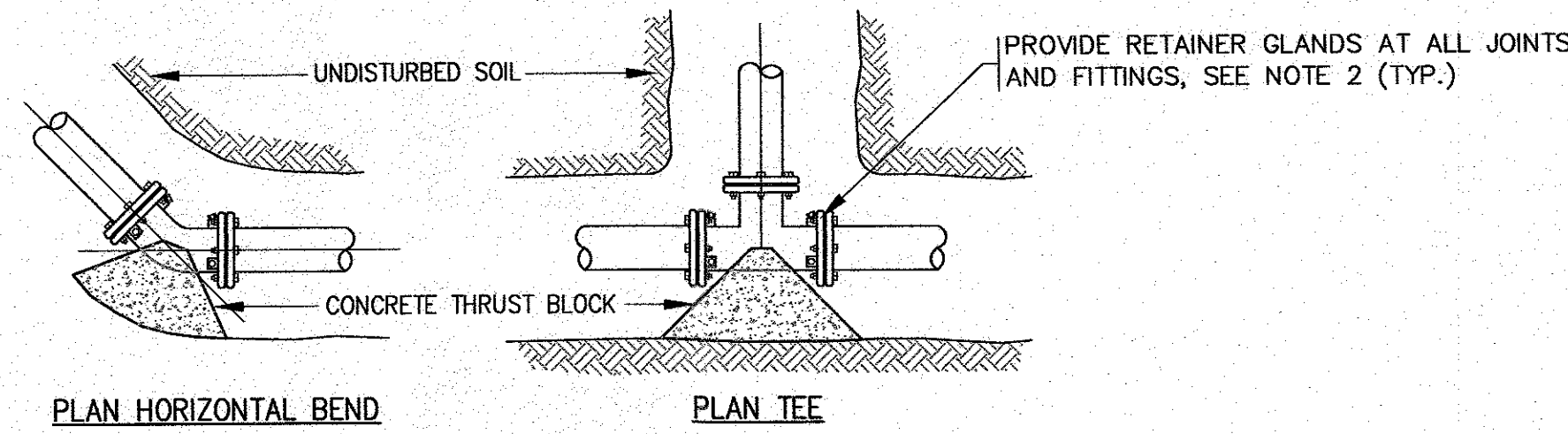
**NOTES:**

1. ALL PROPOSED WORK, MATERIAL AND CONSTRUCTION SPECIFICATIONS SHALL BE APPROVED AND DONE IN ACCORDANCE WITH THE TOWN OF FAIRHAVEN WATER DEPARTMENT AND FAIRHAVEN FIRE DEPARTMENTS RULES AND SPECIFICATIONS.
2. RETAINER GLANDS SHALL BE USED AT ALL JOINTS (ANCHOR TEE, GATE VALVES, HYDRANT AND ALL FITTINGS). RETAINER GLANDS SHALL BE OF THE LOCKING GLAND-TYPE, MEGALUG OR SERIES 100, AS MANUFACTURED BY EBBA IRON.

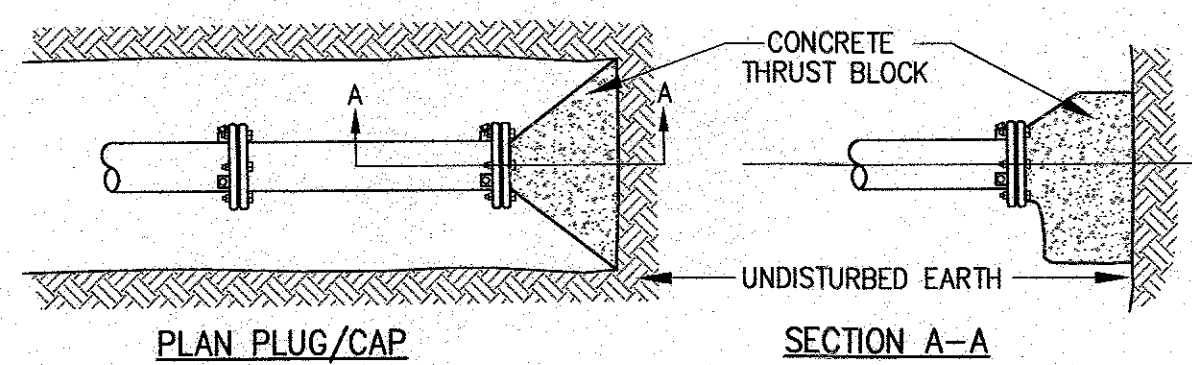
**PLAN VIEW**



**SECTION VIEW**  
**HYDRANT DETAIL**  
N.T.S.



**PLAN HORIZONTAL BEND**      **PLAN TEE**



**PLAN PLUG/CAP**      **SECTION A-A**

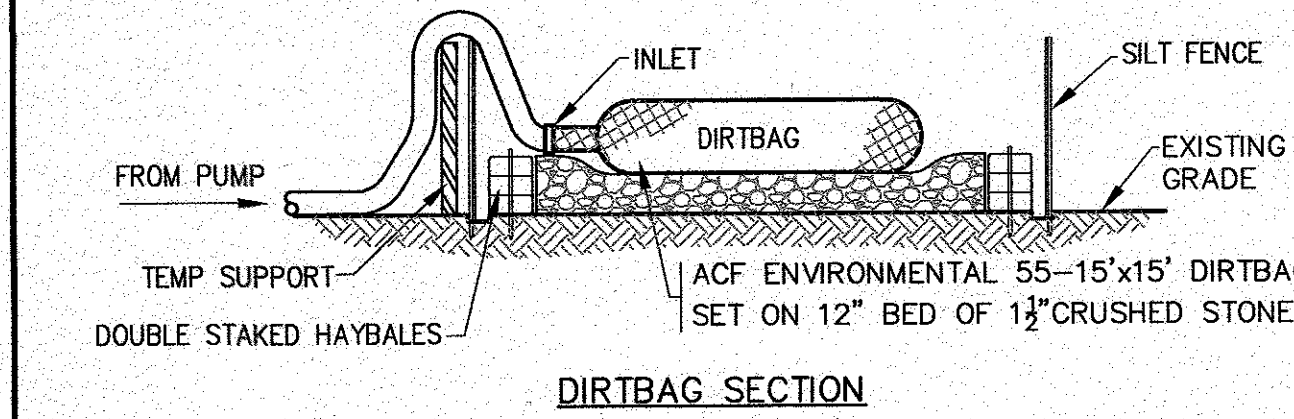
**CONCRETE THRUST BLOCK**  
N.T.S.

BASED ON: TEST PRESSURE = 200 P.S.I.  
CONC. STRENGTH = 3000 P.S.I.  
SOIL BEARING CAP. = 2000 P.S.F.

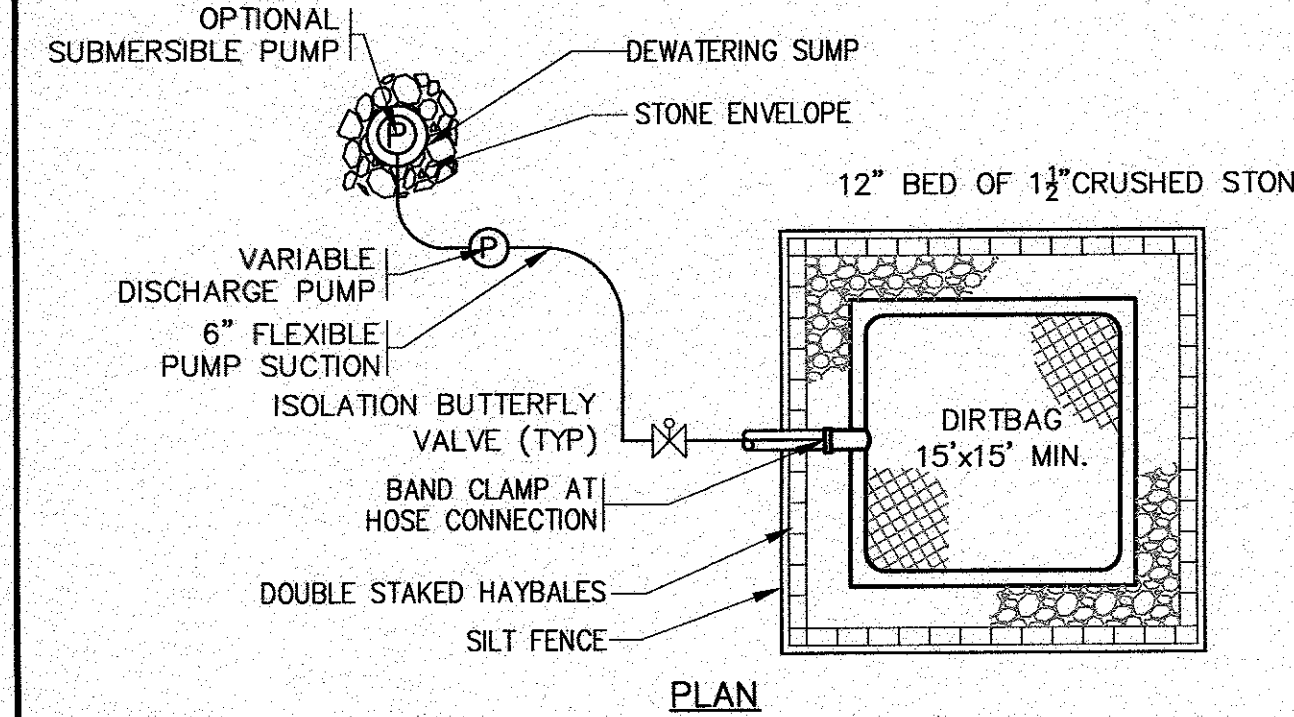
THRUST BLOCK SIZES	PIPE SIZE	90° BEND	45° BEND AND ALL OTHER BENDS	VALVES TEES & DEANDENDS
	4"	2.60 S.F.	1.41 S.F.	1.85 S.F.
	6"	5.40 S.F.	2.90 S.F.	3.80 S.F.
	8"	9.30 S.F.	5.00 S.F.	6.50 S.F.
	10"	13.90 S.F.	7.55 S.F.	10.85 S.F.
	12"	19.70 S.F.	10.80 S.F.	13.90 S.F.
	16"	34.00 S.F.	18.60 S.F.	24.20 S.F.
	20"	52.20 S.F.	28.40 S.F.	37.00 S.F.
	24"	74.30 S.F.	40.40 S.F.	52.70 S.F.
	30"	114.10 S.F.	62.00 S.F.	80.80 S.F.
	36"	163.40 S.F.	88.70 S.F.	115.60 S.F.

**NOTES:**

1. ALL PROPOSED WORK, MATERIAL AND CONSTRUCTION SPECIFICATIONS SHALL BE APPROVED AND DONE IN ACCORDANCE WITH THE TOWN OF FAIRHAVEN WATER DEPARTMENT AND FAIRHAVEN FIRE DEPARTMENTS RULES AND SPECIFICATIONS.
2. RETAINER GLANDS SHALL BE USED AT ALL JOINTS (ANCHOR TEE, GATE VALVES, HYDRANT AND ALL FITTINGS). RETAINER GLANDS SHALL BE OF THE LOCKING GLAND-TYPE, MEGALUG OR SERIES 100, AS MANUFACTURED BY EBBA IRON.



**DIRTBAG SECTION**

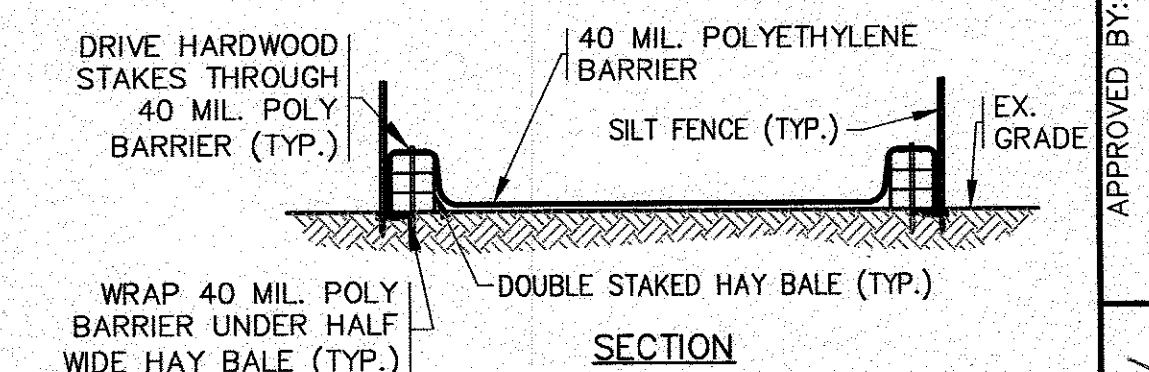


**PLAN**

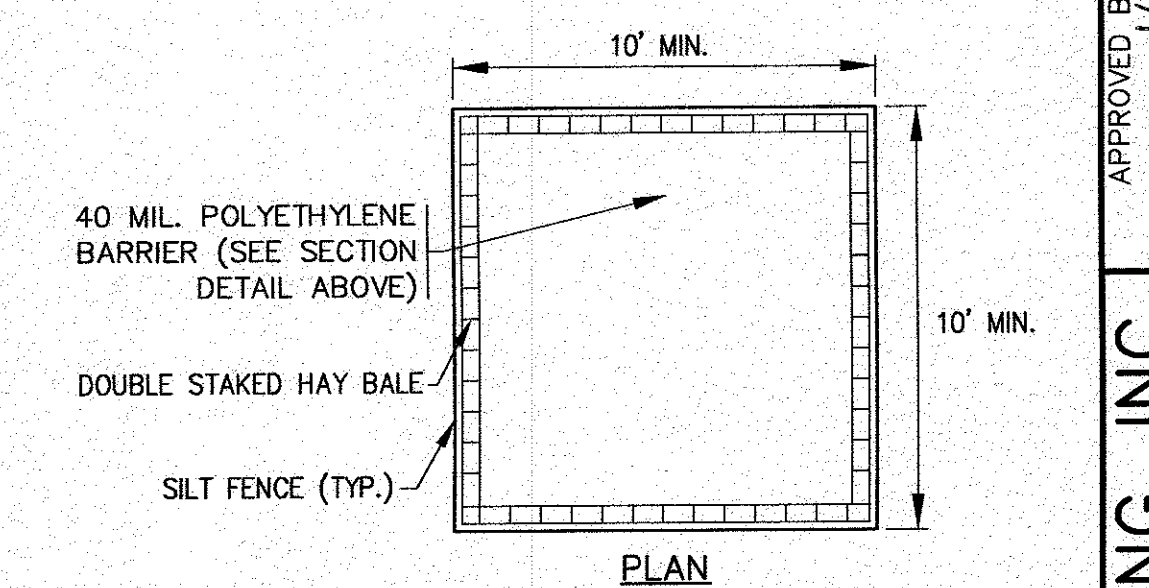
**ONSITE DEWATERING BASIN**  
N.T.S.

**NOTES:**

1. CONTRACTOR SHALL SIZE, PROVIDE AND MAINTAIN DEWATERING EQUIPMENT FOR THE CONTROL, COLLECTION AND DISPOSAL OF GROUND AND SURFACE WATER WHERE NECESSARY TO COMPLETE THE WORK.
2. FINAL LOCATION AND SIZE FOR DEWATERING EQUIPMENT SHALL BE FIELD DETERMINED BY CONTRACTOR AT TIME OF CONSTRUCTION.
3. SILTATION FENCE SHALL BE ACF ENVIRONMENTAL LS125 SILT FENCE.



**SECTION**

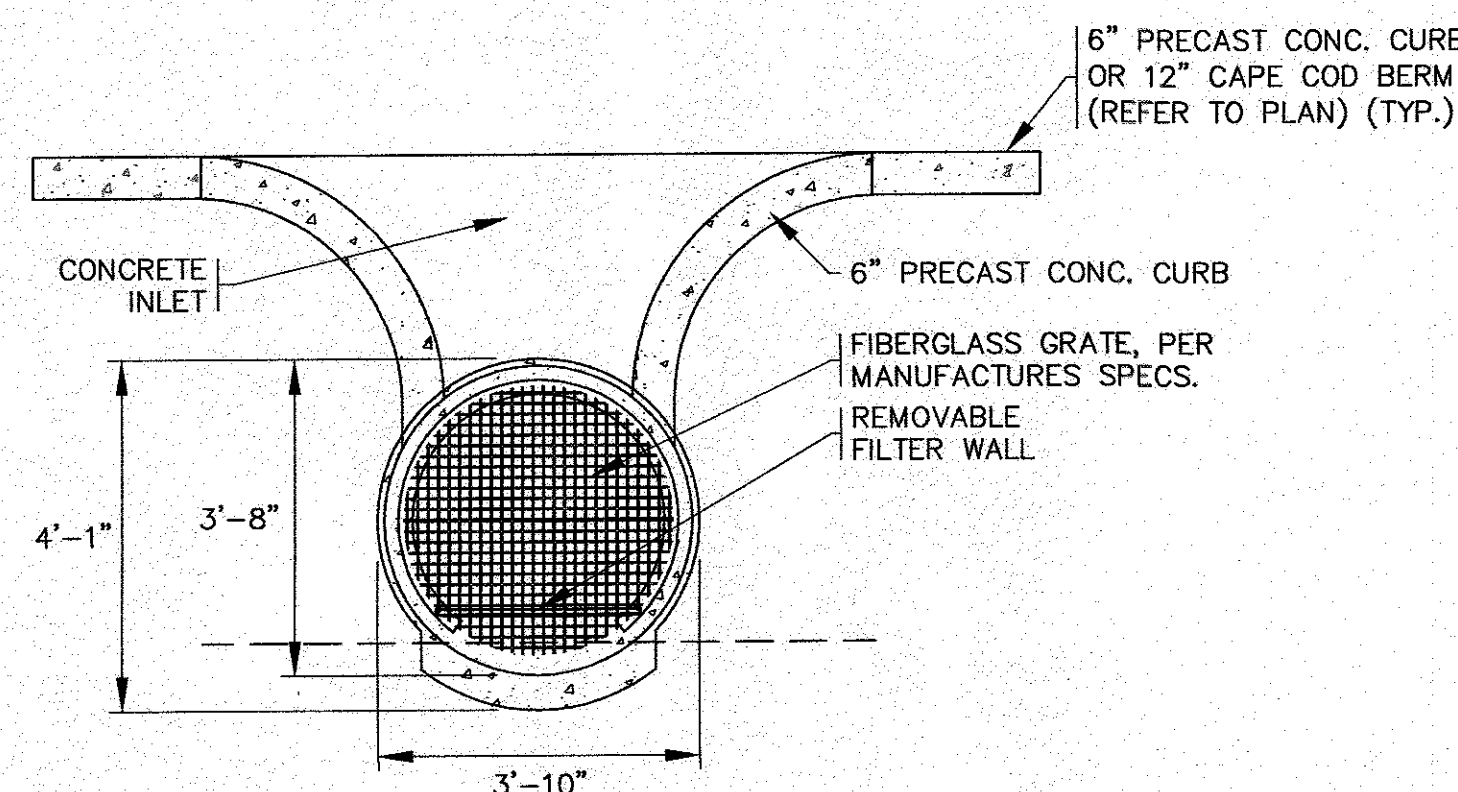


**PLAN**

**CONCRETE WASHOUT DETAIL**  
N.T.S.

**NOTES:**

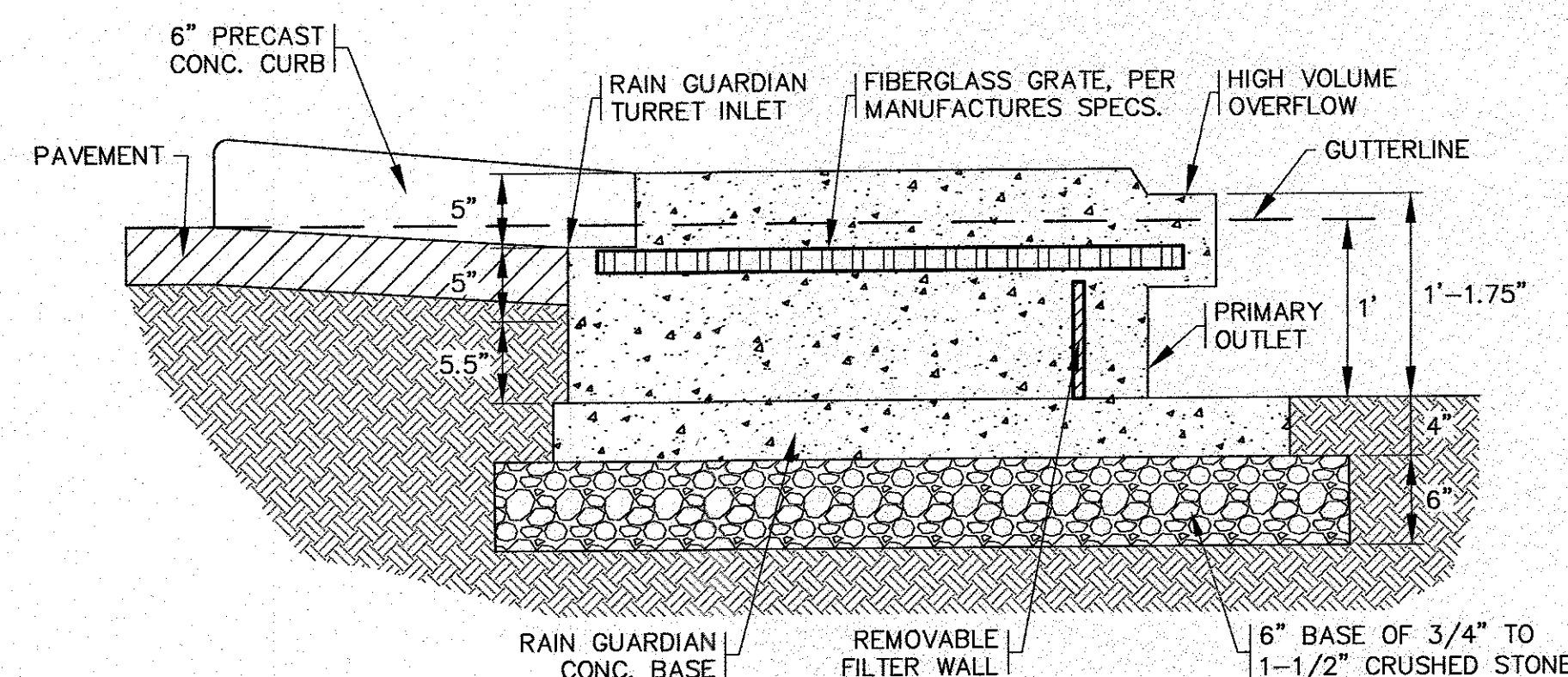
1. CONTRACTOR SHALL PROVIDE AND MAINTAIN CONCRETE WASHOUT AREA WHERE NECESSARY TO COMPLETE THE WORK.
2. FINAL LOCATION FOR CONCRETE WASHOUT SHALL BE FIELD DETERMINED BY CONTRACTOR AT TIME OF CONSTRUCTION.
3. CONTRACTOR SHALL REPAIR OR REPLACE 40 MIL. POLY BARRIER OR STAKED HAY BALES AS REQUIRED.
4. SILTATION FENCE SHALL BE ACF ENVIRONMENTAL LS125 SILT FENCE.



**NOTES:**

1. FOR COMPLETE INSTALLATION DETAILS REFER TO MANUFACTURER'S INSTALLATION SPECIFICATIONS.
2. REFER TO PLAN FOR LOCATIONS AND ELEVATIONS.

**RAIN GUARDIAN TURRET**  
N.T.S.



DATE: JAN. 14, 2020.	FOR CON. COM. FILING
DRAWN BY: JMP	DATE
CHECKED BY: WFM	BY
JOB NO.: 19-9364	APP'D
SCALE: N.T.S.	REV.
	1
	1/28/20
	JMP
	WFM
	DATE
	BY
	APP'D
	DESCRIPTION

APPROVED BY:

APPROVED BY: *William Mendenhall*

**G.A.F. ENGINEERING, INC.**  
PROFESSIONAL ENGINEERS & LAND SURVEYORS  
266 MAIN STREET - WAREHAM, MA 02571  
TEL: (508) 295-6600 FAX: (508) 295-6634  
E-MAIL: gaf@gaf-eng.com

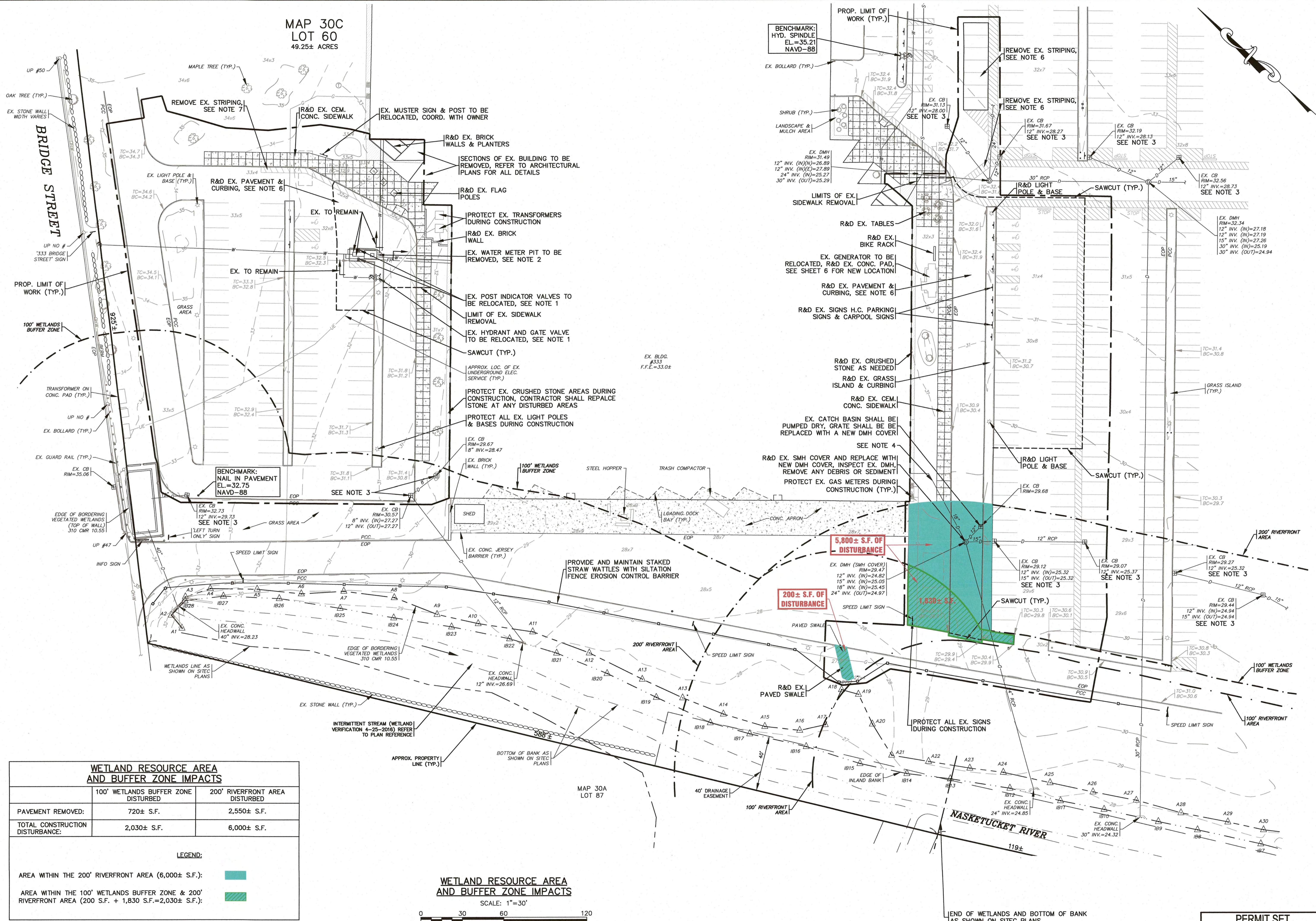
Copyright © 2000 G.A.F. ENGINEERING, INC. NO PART OF THIS DOCUMENT MAY BE REPRODUCED, STORED, OR TRANSMITTED BY ANY MEANS, ELECTRONIC AND/OR MECHANICAL, PHOTOCOPYING, WHATSOEVER, WITHOUT THE WRITTEN PERMISSION OF G.A.F. ENGINEERING, INC. ANY REPRODUCTION OF THIS DOCUMENT WITHOUT THE OFFICIAL BUSINESS ADDRESS UNDER ITS JURISDICTION. ANY REPRODUCTION OF THIS DOCUMENT WITHOUT THE EXPRESS WRITTEN CONSENT OF G.A.F. ENGINEERING, INC. SHALL BE PENALTY UNLAWFUL.

**SITE IMPROVEMENTS PLAN**  
**DETAIL SHEET 2**  
333 BRIDGE STREET  
FAIRHAVEN, MA

PREPARED FOR:  
**ACUSHNET COMPANY**  
333 BRIDGE STREET  
FAIRHAVEN, MA



MAP 30C  
LOT 60  
49.25± ACRES



WETLAND RESOURCE AREA  
AND BUFFER ZONE IMPACTS

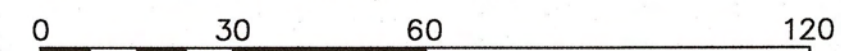
	100' WETLANDS BUFFER ZONE DISTURBED	200' RIVERFRONT AREA DISTURBED
PAVEMENT REMOVED:	720± S.F.	2,550± S.F.
TOTAL CONSTRUCTION DISTURBANCE:	2,030± S.F.	6,000± S.F.

LEGEND:

- AREA WITHIN THE 200' RIVERFRONT AREA (6,000± S.F.):
- AREA WITHIN THE 100' WETLANDS BUFFER ZONE & 200' RIVERFRONT AREA (200 S.F. + 1,830 S.F.=2,030± S.F.):

WETLAND RESOURCE AREA  
AND BUFFER ZONE IMPACTS

SCALE: 1"=30'



DATE: JAN. 22, 2020	DRAWN BY: JWP	CHECKED BY: WFM	JOB NO.: 19-9364	SCALE: 1" = 30'
APPROVED BY:				REV. DATE BY APPD
<b>G.A.F. ENGINEERING, INC.</b> PROFESSIONAL ENGINEERS & LAND SURVEYORS 266 MAIN STREET - WAREHAM, MA 02571 TEL: (508) 295-6600 FAX: (508) 295-6634 E-MAIL: gaf@gaf-eng.com				
COPYRIGHT © 2020 G.A.F. ENGINEERING, INC. NO PART OF THIS DOCUMENT MAY BE REPRODUCED, STORED, OR TRANSMITTED BY ANY MEANS, ELECTRONIC OR MECHANICAL, INCLUDING PHOTOCOPIING, RECORDING, OR BY ANY INFORMATION STORAGE AND RETRIEVAL SYSTEM, WITHOUT THE WRITTEN PERMISSION OF G.A.F. ENGINEERING, INC. THIS DOCUMENT IS THE PROPERTY OF G.A.F. ENGINEERING, INC. AND IS TO BE USED ONLY FOR THE PROJECT AND SITE SPECIFICALLY IDENTIFIED HEREIN. ANY REPRODUCTION OR TRANSMISSION OF THIS DOCUMENT WITHOUT THE WRITTEN PERMISSION OF G.A.F. ENGINEERING, INC. IS STRICTLY PROHIBITED.				
WETLAND RESOURCE AREA AND BUFFER ZONE IMPACTS PLAN FAIRHAVEN, MA 333 BRIDGE STREET	PREPARED FOR: <b>ACUSHNET COMPANY</b> FAIRHAVEN, MA 333 BRIDGE STREET			DESCRIPTION
JOB NO.: 19-9364				DWG. 1 OF 1
<b>PERMIT SET</b> (NOT FOR CONSTRUCTION)				

H:\GAF DRAWINGS\2019 DRAWINGS\19-9364 (ACUSHNET COMPANY)\9364.dwg\9364\_SITE PLAN\_REV-1.dwg