



CHIPOTLE STORE#4413
12 PLAZA WAY
FAIRHAVEN, MA

Job Number: 29065

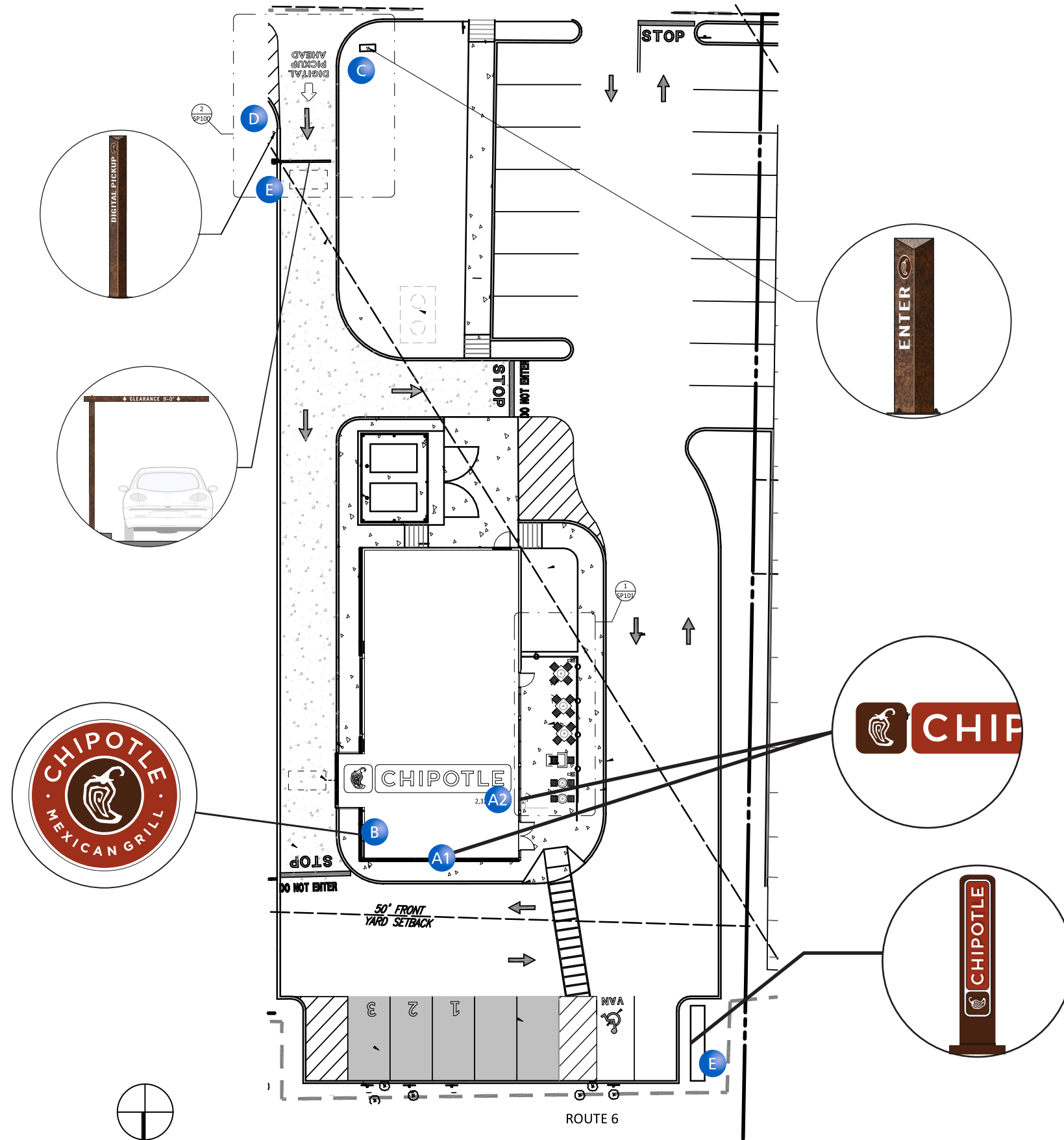
 **broadwaynational**

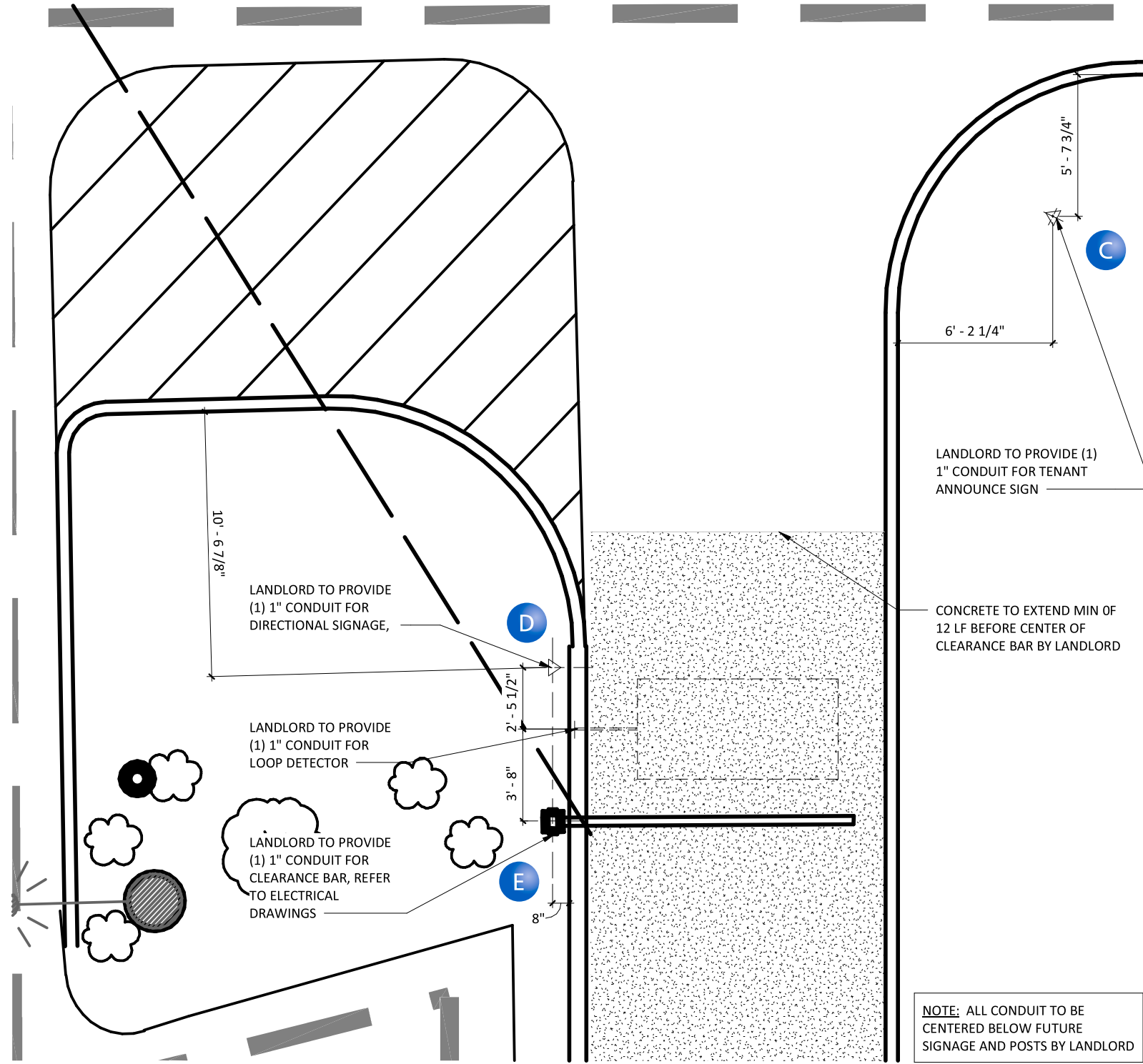


CHIPOTLE

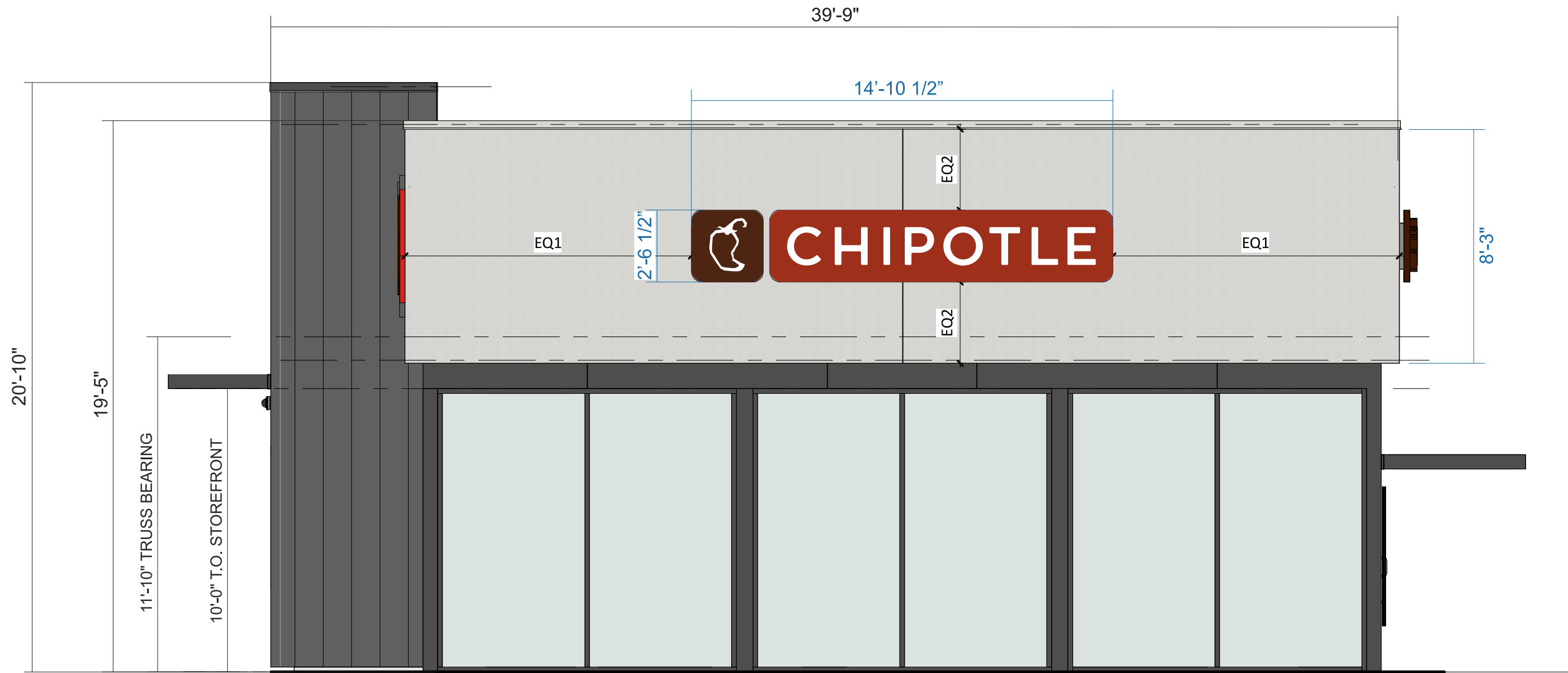


SIGN KEY	
A1	BH-3 CHANNEL LETTER WALL SIGN
A2	BH-3 CHANNEL LETTER WALL SIGN
B	5' MEDALLION
C	ENTRANCE DIRECTIONAL SIGN
D	TENANT ANNOUNCE SIGN
E	CLEARANCE BAR
F	PYLON



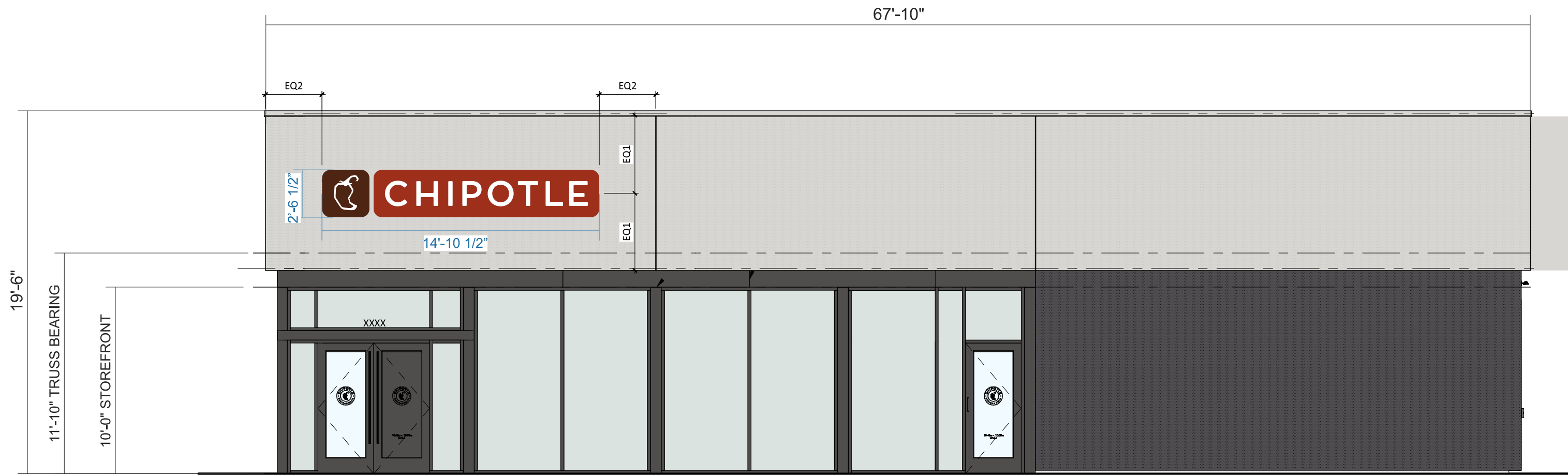


 ARCHITECTURAL SITE PLAN DIMENSIONED



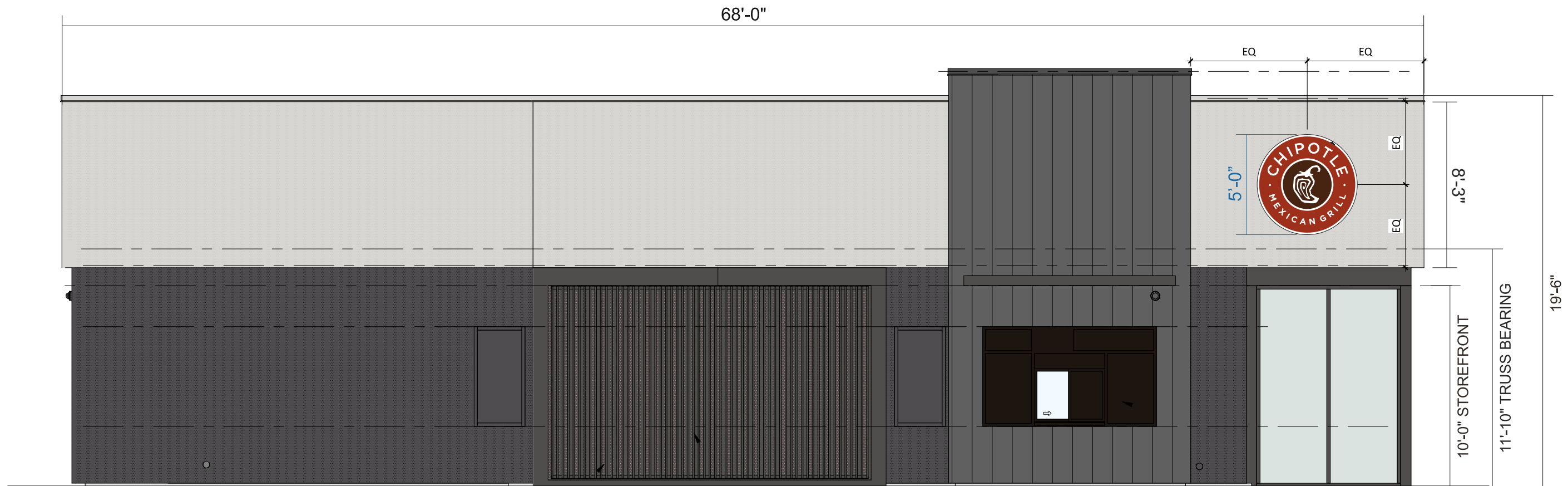
EXT ELEV - SOUTH

1/4" = 1'-0"



EXT ELEV - EAST

3/16" = 1'-0"



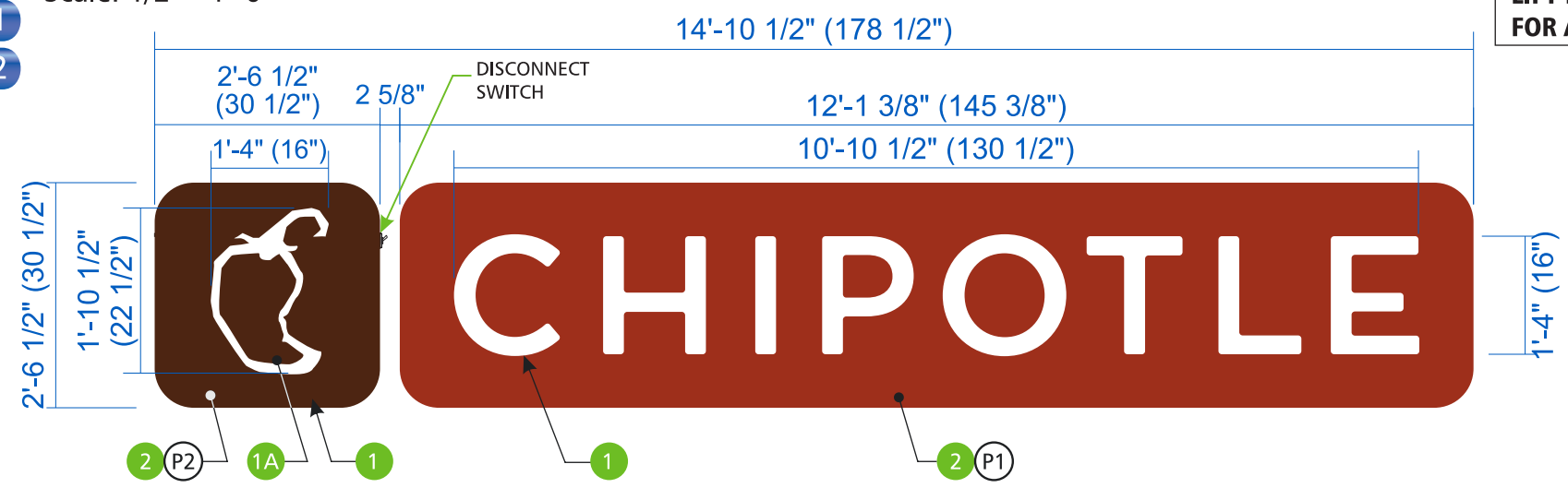
EXT ELEV - WEST

3/16" = 1'-0"

QTY (2) (BH-3 SIGN) HALO ILLUMINATED CHANNEL LETTER WALL SIGN **37.8 Sq. Ft.**
 Scale: 1/2" = 1'-0"

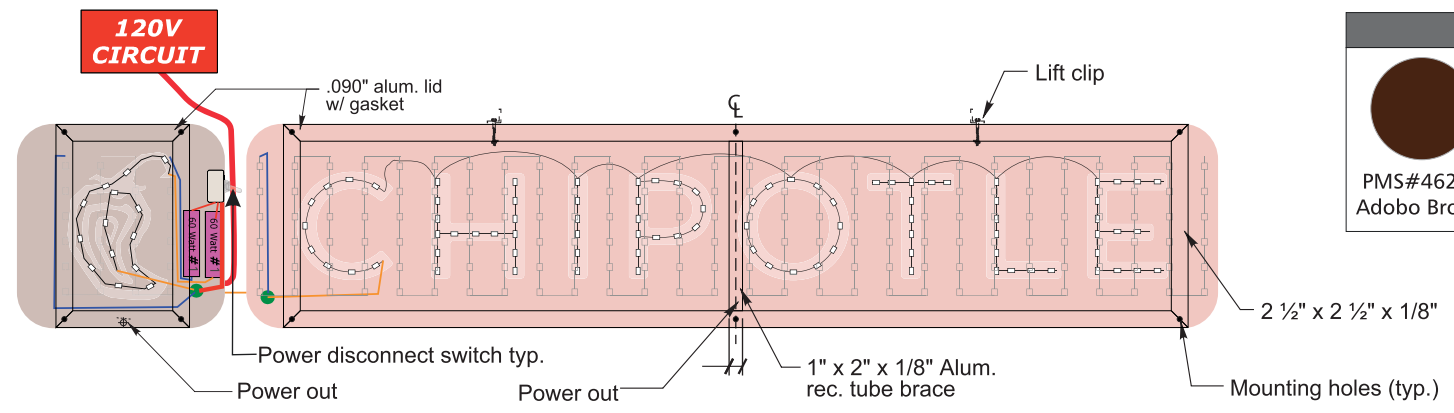
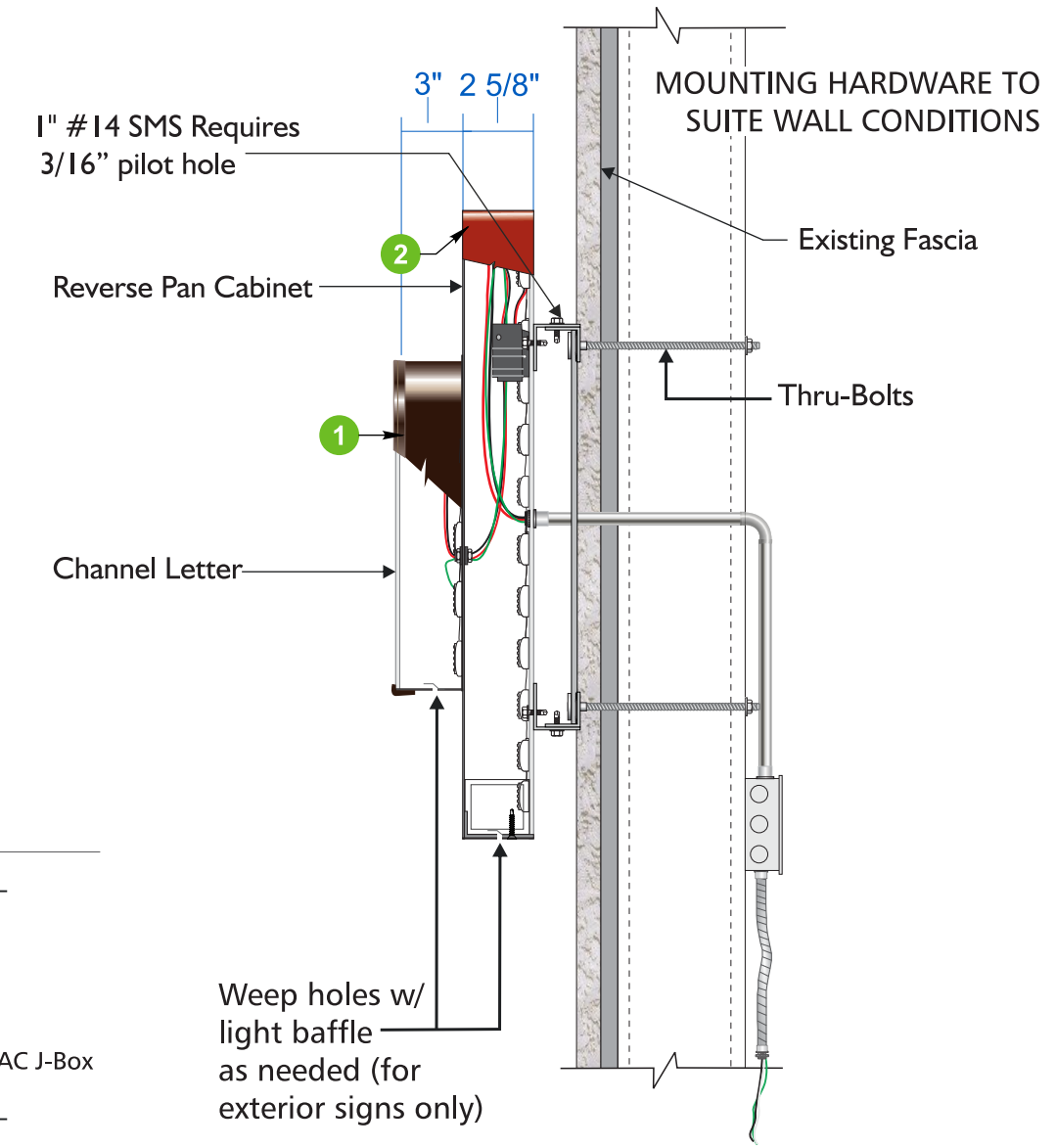
SIGN A1
SIGN A2

NOTES:
LIFT POINTS WILL BE PROVIDED FOR ALL SIGNS



SIDE DETAIL
 SCALE: NOT TO SCALE

NOTES:
 3/4" FIRE TREATED BLOCKING PROVIDED BY OTHERS



Color Key		
PMS#4625C Adobo Brown	PMS#484C Roasted Red	White Acrylic # 7328

SPECIFICATIONS FOR (1) ILLUMINATED WALL SIGN

- 1 CHANNEL LETTERS "CHIPOTLE" AND PEPPER LOGO**
 LETTER TYPE = Face-Lit pan channel letters DEPTH = 3"
 FACES = 3/16" Cyro #2447 Milk-White Acrylic
 1A PEPPER GRAPHIC = 0.40" pre-fin. Adobo brown alum. F.C.O. overlay
 TRIMCAP = 1" Brown Jewelite
 RETURNS = .040" Pre-finished Adobo Brown aluminum (w/ weep holes)
 BACKS = .040 Pre-finished white aluminum
 ILLUMINATION=Sloan Prism Mini White LEDs or equivalent
 MOUNTING=Mount flush to face of cabinets with #10 "blunt" ended screws as req.

- ELECTRICAL**
 PRIMARY=120V by others within 3' of sign prior to install (10'-0" pigtail on back of cabinet)
 SECONDARY=12V LED wired & power supplies inside of cabinets with access panel for future services
 POWER DISCONNECT=Toggle switch on cabinet return
 ELECTRICAL HOOK-UP=Final electrical connection to existing 120V AC J-Box

- 2 BROWN & RED REVERSE PAN CABINETS**
 CABINET=Lit reverse pan DEPTH=2 5/8"
 FACE=1/8" Aluminum
 RETURNS=@ Top & bottom: 2 1/2" x 1/8" Alum. angle
 @ Ends/corners: (one piece) 1/8" Alum. hot glue and Versilok to face
 BACK=.150 Clear lexan w/ perimeter angle clips for rev. pan attachment
 ILLUMINATION=Sloan Prism Mini White LEDs
 ATTACHMENT= (2) 1 1/2" x 1 1/2" x 1/8" alum . & (2) 2" x 2" x 1/8" alum angle spacer/mounting bars w/ 45" cut ends on back side of lexan back
 MOUNTING=Mount to existing fascia w/ 3/8" fasteners through aluminum angle mounting frame assembly

- COLOR SPECIFICATIONS**
- Ⓟ1 P.T.M. PMS #484C "Roasted Red" (Nuance)
 NOTE: Paint all exposed fasteners to match adjacent finish
- Ⓟ2 P.T.M. PMS #4625C "Adobo Brown" (Nuance)

NOTES:
 ALL ELECTRICAL PARTS & ASSEMBLIES UL LISTED APPROVED UL LABELS ATTACHED IF REQUIRED.

NOTES:
 ELECTRICAL WIRING FROM SIGN WILL BE WIRED INTO THE EXISTING ELECTRICAL SOURCE.

QTY (1)

5' HALO LIT CHIPOTLE WALL MOUNTED MEDALLION (IN STYLE OF M-2)

19.63 Sq. Ft.

SIGN B

Scale: 1 1/2" = 1'-0"

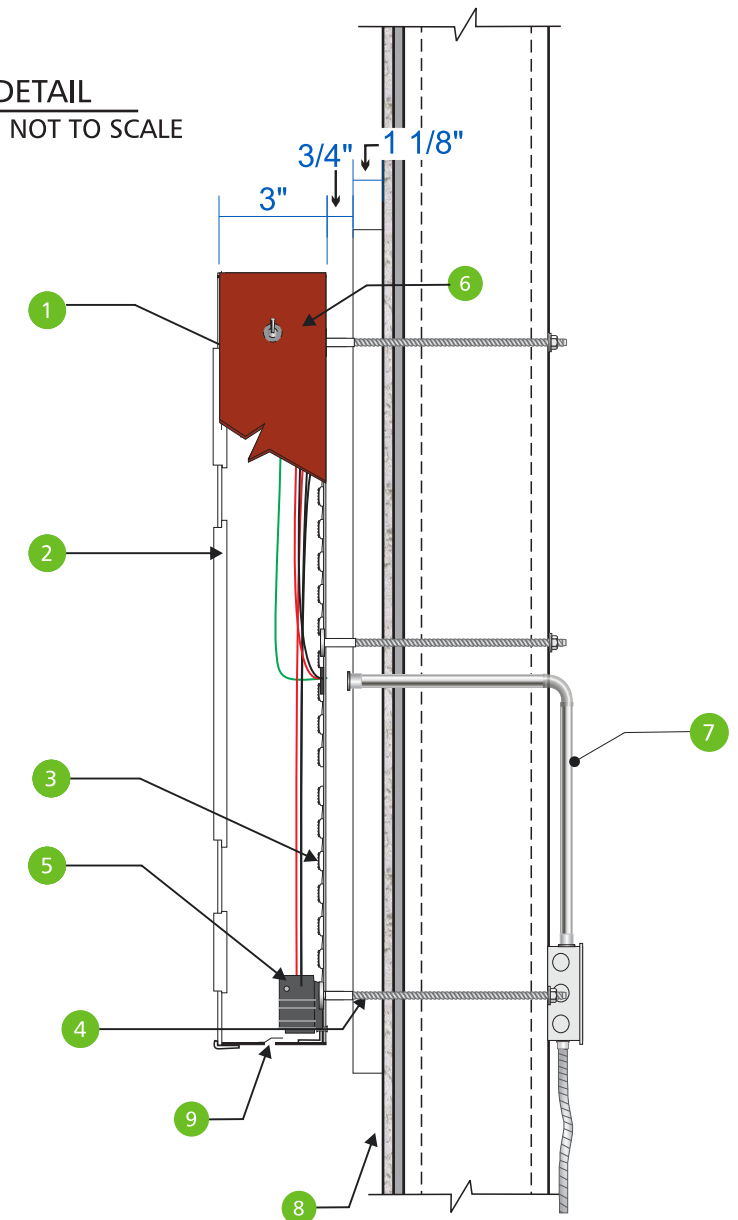
NOTES:
LIFT POINTS (SIGN HOOKS)
WILL BE PROVIDED FOR ALL SIGNS

NOTES:
3/4" FIRE TREATED PLYWOOD
BLOCKING PROVIDED BY OTHERS

SIDE DETAIL
SCALE: NOT TO SCALE



ILLUMINATION RENDERING



SPECIFICATIONS FOR (1) ILLUMINATED S/F MEDALLION W/ HALO

- 1 CABINET**
CABINET TYPE= Halo-Lit reverse pan
DEPTH=3 1/8"
FACE= 1/8" Aluminum w/ 3" returns. Returns are 3" x 1/16" aluminum. Spot weld/Versilok returns to back side of face
BACK= .063" Aluminum disc centered & riveted to .150" Clear lexan disc. Break-formed 1/8" Aluminum brackets for attachment
- 2 GRAPHICS**= 1" Clear acrylic w/ 7/8" push-thru w/ vinyl overlay and second surface diffuser film
- 3 ILLUMINATION**= Sloan Prism Mini White LEDs or equivalent
- 4 MOUNTING**= Thru bolt to wall surface w/ fasteners and stand-offs as req.
SERVICE ACCESS= Removable pan channel face- Attachment to angle brackets via counter sink screws through perimeter of returns
- 5 ELECTRICAL**
PRIMARY=120V power supply mounted inside cabinet's internal raceway
SECONDARY= 12V LED wiring housed in cabinet
- 6 POWER DISCONNECT**=Toggle switch on cabinet return
- 7** 120v electrical to sign and final hook-up is by others
- 8** 1 1/8" alum white backer panel
- 9** Weep holes for drainage

NOTES:
ALL ELECTRICAL PARTS & ASSEMBLIES UL LISTED APPROVED UL LABELS ATTACHED IF REQUIRED.

NOTES:
ELECTRICAL WIRING FROM SIGN WILL BE WIRED INTO THE EXISTING ELECTRICAL SOURCE.

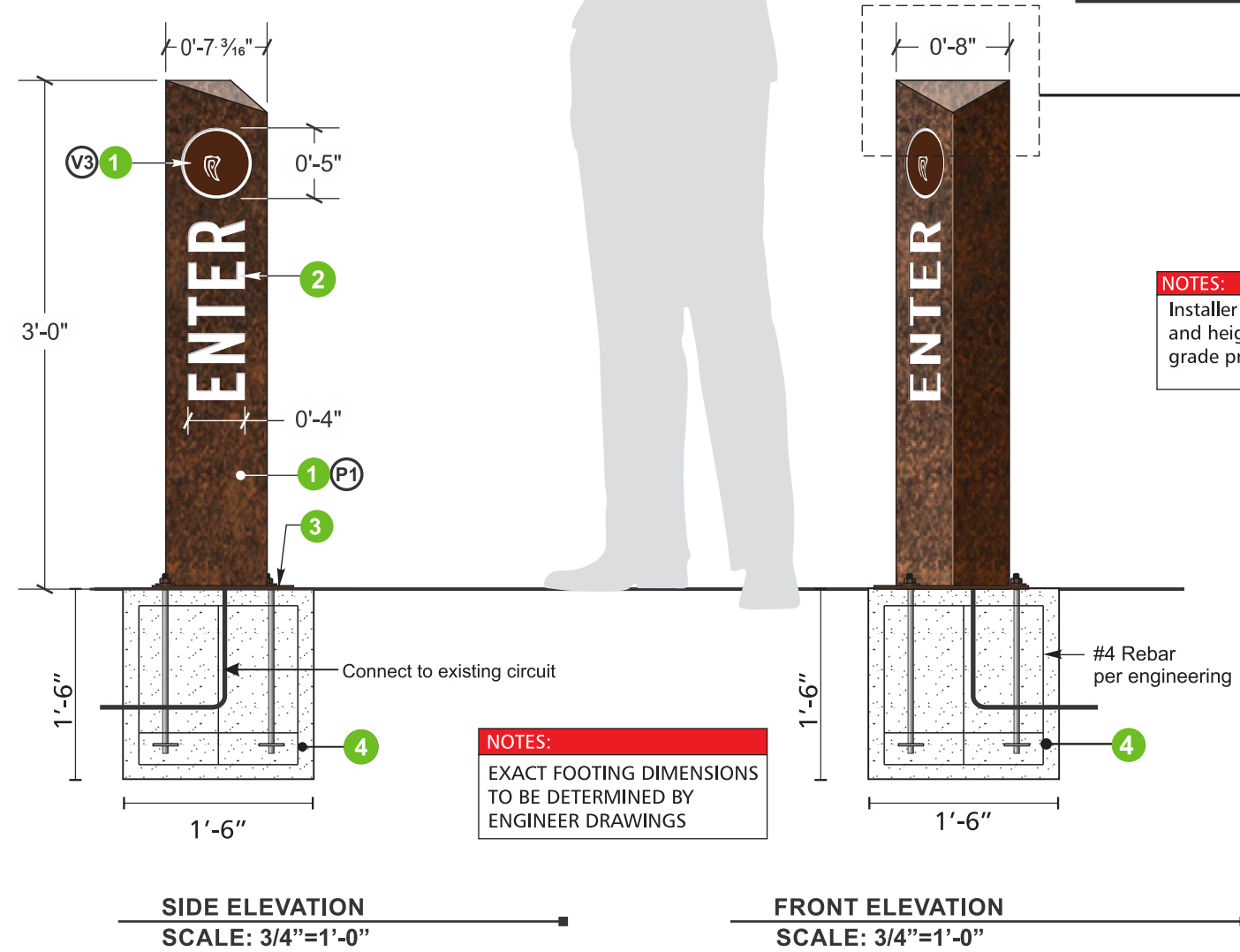
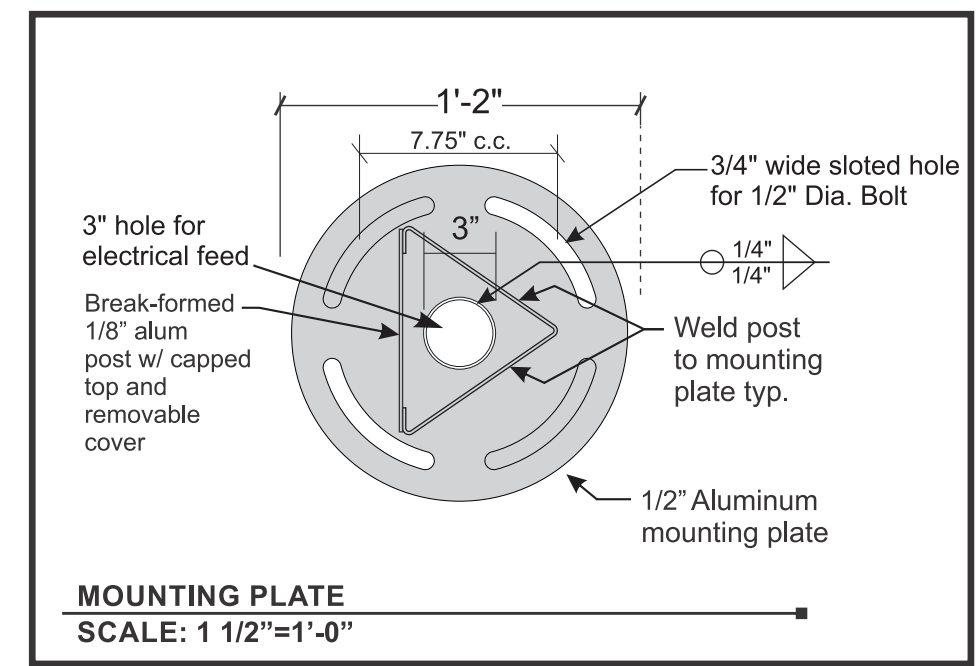
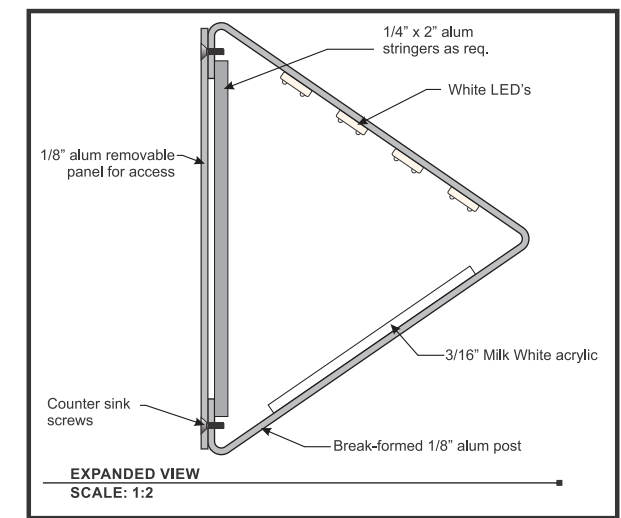
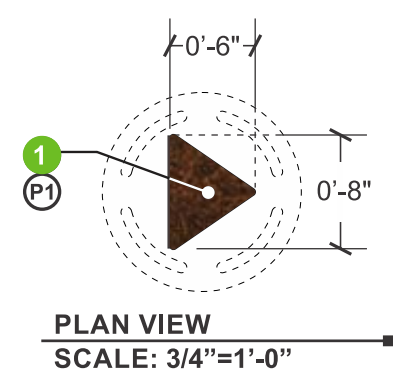
Color Key

PMS#4625C Adobo Brown PMS#484C Roasted Red

QTY (1)
SIGN C

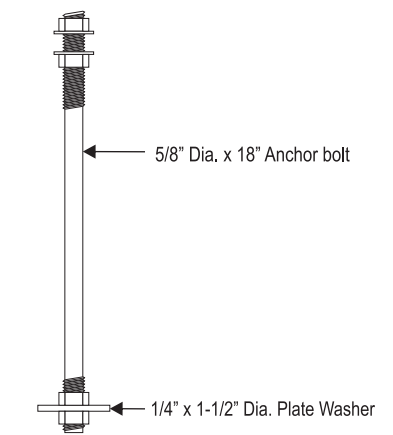
SINGLE-SIDED ILLUMINATED FREE STANDING ENTER SIGN
Scale: 1"=1'-0"

1.50 Sq. Ft.



NOTES:
Installer to discuss with GC location of signage and height of sonotube in comparison to finish grade prior to starting footings

NOTES:
REFERENCE **DIMENSIONAL ARCHITECTURAL PLAN** PRIOR TO STARTING FOUNDATION TO ENSURE PROPER DISTANCE FROM CURB LINE.



SPECIFICATIONS FOR (1) ILLUMINATED DIRECTIONAL SIGN

- 1 **POST**=Waterjet cut & break-formed 1/8" alum. "post" (w/ capped top) welded to aluminum mounting plate. Removable side panel for access
- 2 **Graphics**: Reverse-cut text w/ 3/16" Milk White acrylic backing
Illumination: Sloan Prism White LEDs
- 3 **MOUNTING**= Post's mounting plate attaches to embedded bolts in caisson
- 4 **CONCRETE**= Concrete caisson & rebar as required

COLOR SPECIFICATIONS

- (P1) Prismatic Powder coat "Rustic Texture" UTB-5223
- (V3) Arlon cast vinyl #2100-3651 "Adobo Brown"

Color Key

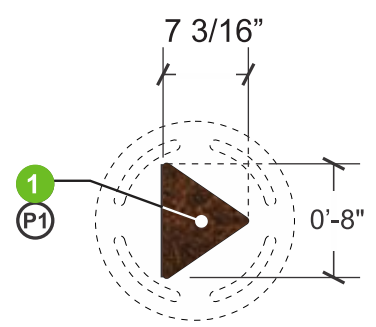
	White	Arlon cast vinyl #2100-3663 Adobo Brown
--	-------	---

NOTE: Paint all exposed fasteners to match adjacent finish

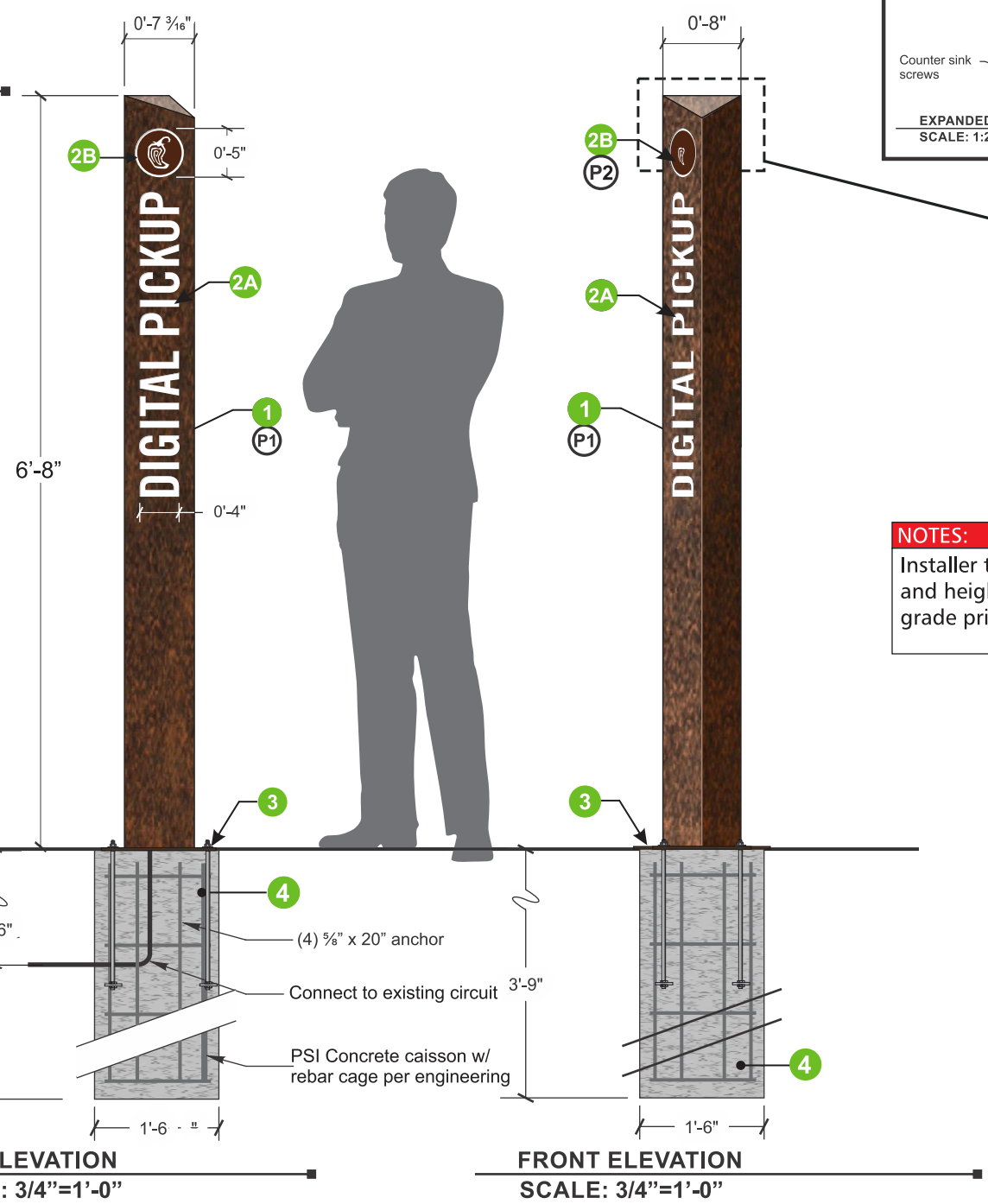
QTY (1)
SIGN D

SINGLE-SIDED "CHIPOTLANE" POST w/ DRIVE THRU ANNOUNCE SIGN
Scale: NTS

4.44 Sq. Ft.



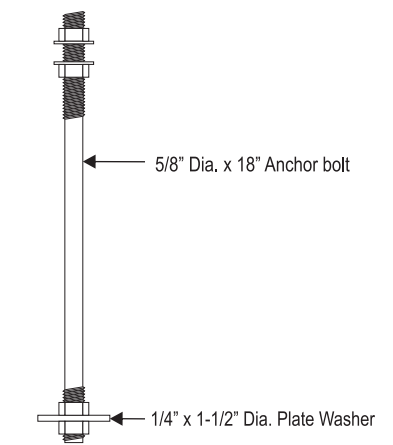
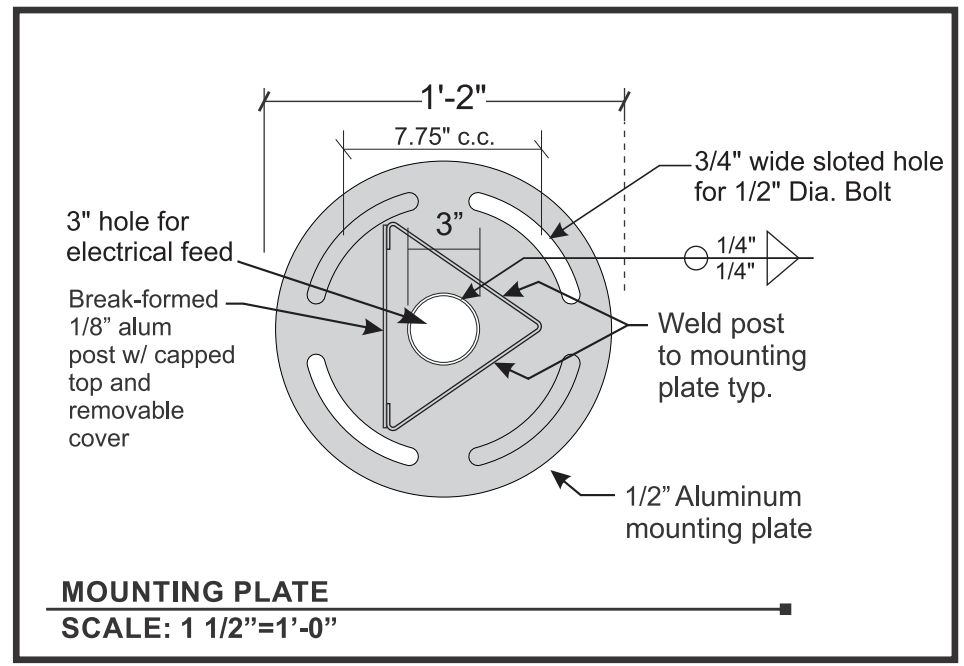
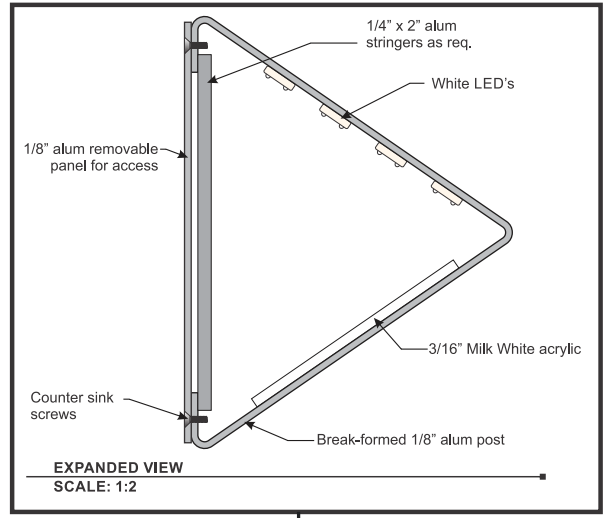
PLAN VIEW
SCALE: 3/4"=1'-0"



NOTES:
REFERENCE **DIMENSIONAL ARCHITECTURAL PLAN** PRIOR TO STARTING FOUNDATION TO ENSURE PROPER DISTANCE FROM CURB LINE.

NOTES:
EXACT FOOTING DIMENSIONS TO BE DETERMINED BY ENGINEER DRAWINGS

NOTES:
Installer to discuss with GC location of signage and height of sonotube in comparison to finish grade prior to starting footings



ANCHOR BOLT DETAIL
1 1/2"=1'-0"
A307 Anchor Bolts

Color Key		
SILVERLINE PRISMATIC 0-6% GLOSS RUSTIC TEXTURE UTB-5223	White	PMS#4625C Adobo Brown

SPECIFICATIONS FOR (1) ILLUMINATED ANNOUNCE SIGN

- 1 POST**=Waterjet cut & break-formed 1/8" alum. "post" (w/ capped top) welded to aluminum mounting plate. Removable side panel for access
- 2A Graphics**: Reverse-cut text w/ 3/16" Milk White acrylic backing
Illumination: Sloan Prism White LEDs
- 2B Pepper Logo**: First surface applied vinyl
- 3 MOUNTING**= Post's mounting plate attaches to embedded bolts in caisson
- 4 CONCRETE**= Concrete caisson & rebar as required

COLOR SPECIFICATIONS

- (P1)** Prismatic Powder coat "Rustic Texture" UTB-5223
- (P2)** First surface applied vinyl Adobo Brown

NOTE: Paint all exposed fasteners to match adjacent finish

b **broadwaynational**
100 Davids Drive., Hauppauge, NY 11788
P631.737.3140 F631.737.3160
INTERNAL USE ONLY: 29065_04.25.22_00.00_IB

DETAIL
CHIPOTLE

Approved Rejected
 Approved with Corrections Revise and Resubmit
Signature: _____ Date: _____

CHIPOTLE STORE#4413
12 PLAZA WAY
FAIRHAVEN, MA

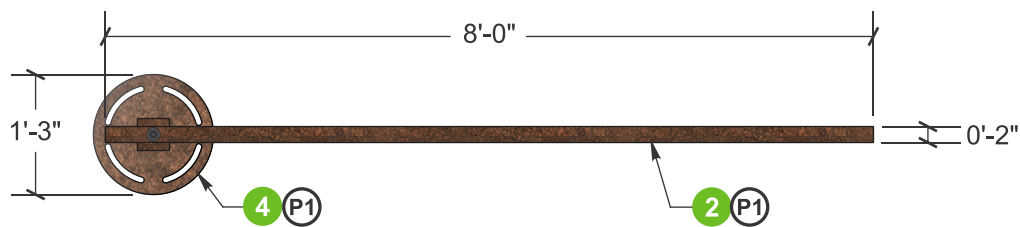
QTY (1)

DRIVE THRU LANE PIVOT CLEARANCE BAR W/SIGN

Scale: 3/8" = 1'-0"

2.08 Sq. Ft.

SIGN E



1 PLAN VIEW
SCALE: 1/2" = 1'-0"

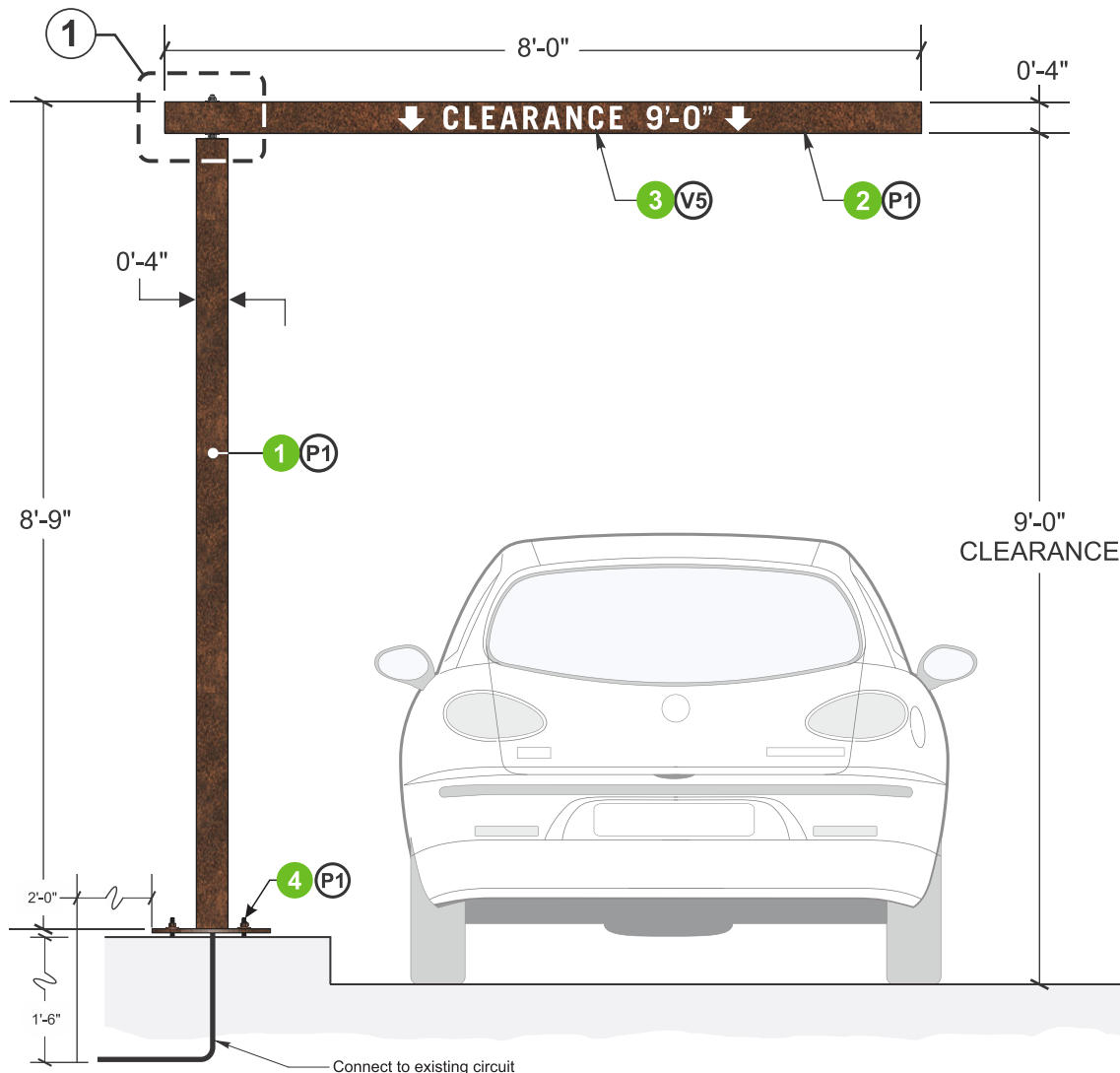
Color Key		
SILVERLINE PRISMATIC 0-6% GLOSS RUSTIC TEXTURE UTB-5223	PMS 476C "BROWN" (SATIN) TBD	White

SPECIFICATIONS FOR (1) NON-ILLUMINATED S/F BREAKAWAY CLEARANCE BAR

- 1 POST= 4" x 4" x 1/4" Alum. sq. tube w/ 3/8" alum top plate and pivot
- 2 CLEARANCE BAR= 2" x 4" x 1/8" Alum. rec. tube w/ black PVC end caps
- 3 Graphics: Reflective vinyl overlay
Breakaway: To minimize damage from impact, the top beam will give way and rotate when struck. Beam can then be manually rotated back to original position
Note: Rotation from fixed position will break shear/alignment pin which can be easily serviced during realignment of clearance bar
- 4 MOUNTING= Slotted 1/2" alum. base plate attaches to embedded bolts in caisson
CAISSON= Sonotube form, rebar, and mounting hardware (four 1/2" All-thread welded to 1/8" steel spacer plates w/ washers and leveling nuts)
 Hole for footing plus poured & formed concrete caisson w/ embedded mounting

COLOR SPECIFICATIONS

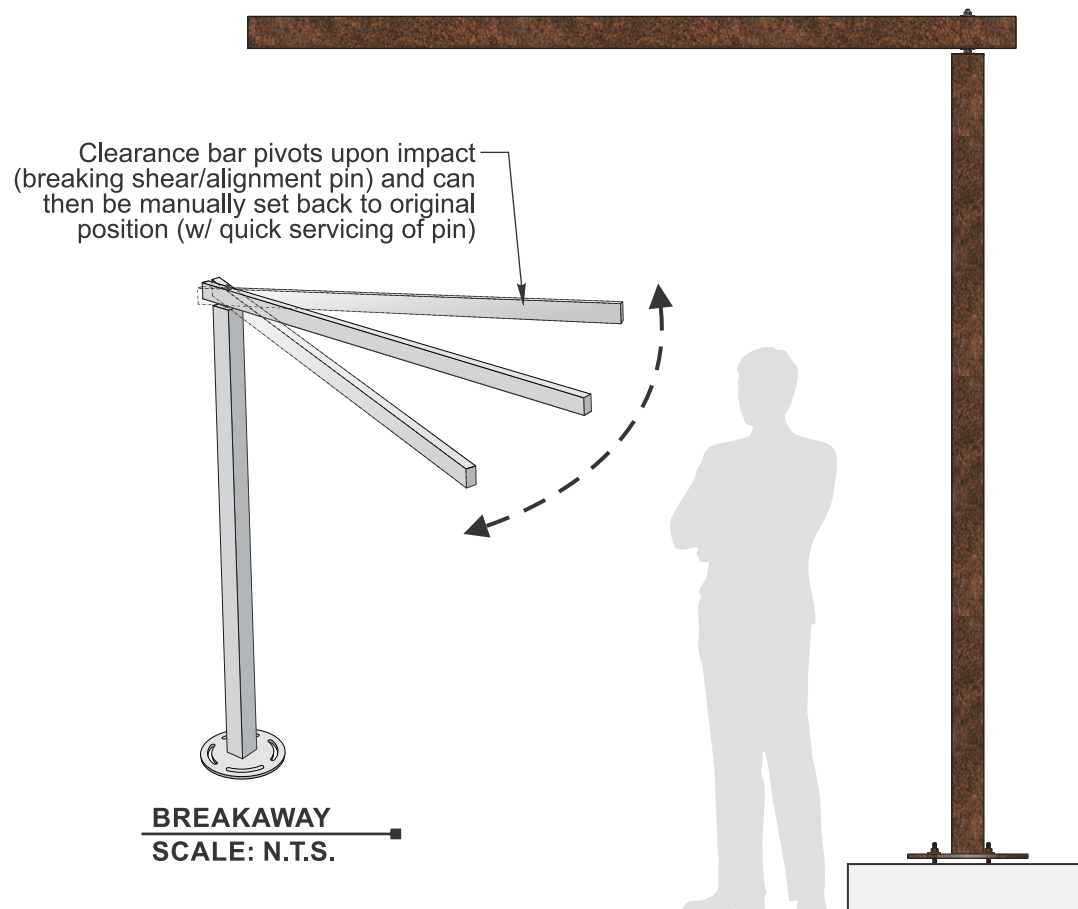
- (P1) Powder coat IFS Rustic SRBM 90146
- (V5) Reflective White Vinyl



ELEVATION
SCALE: 1/2" = 1'-0"

NOTES:
 footing must be poured considering base mounting plate of sign is equal with curb height to ensure top of the clearance bar is 9' above grade.

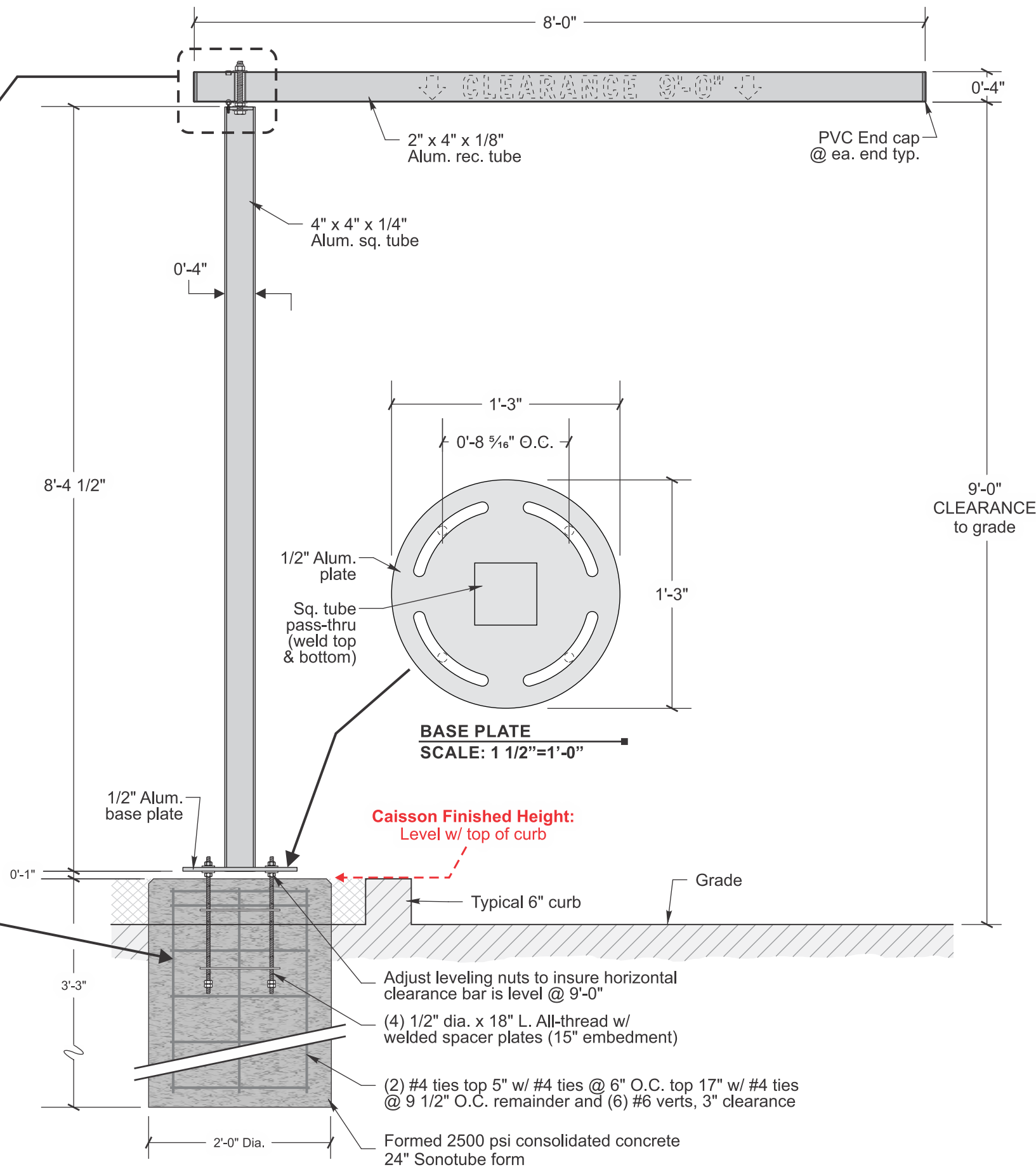
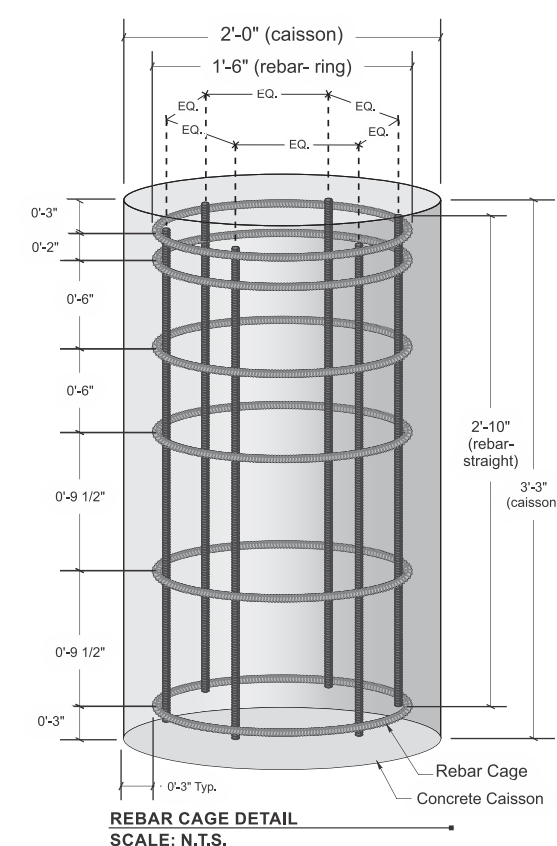
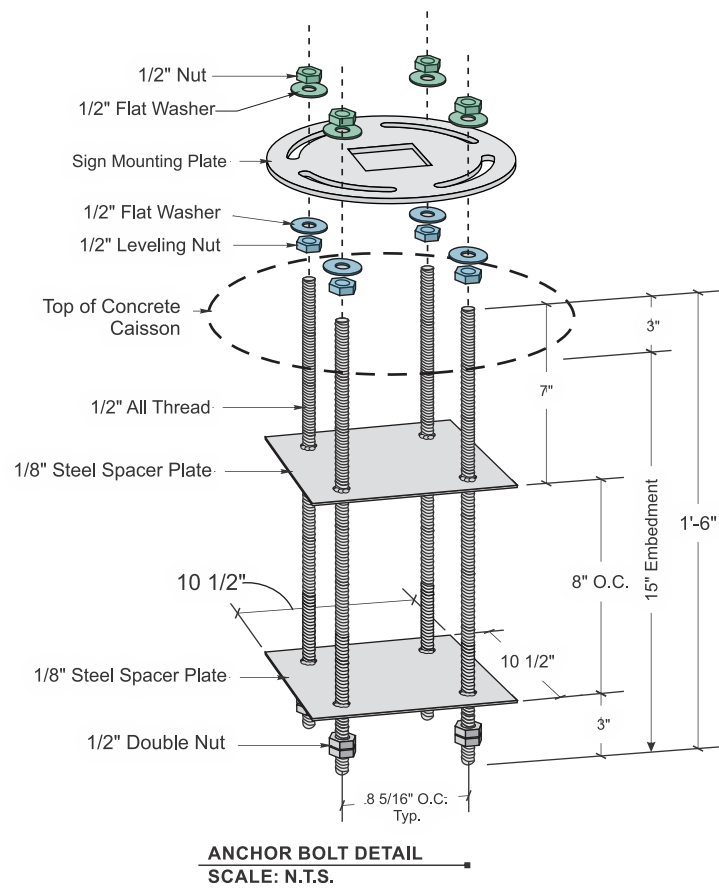
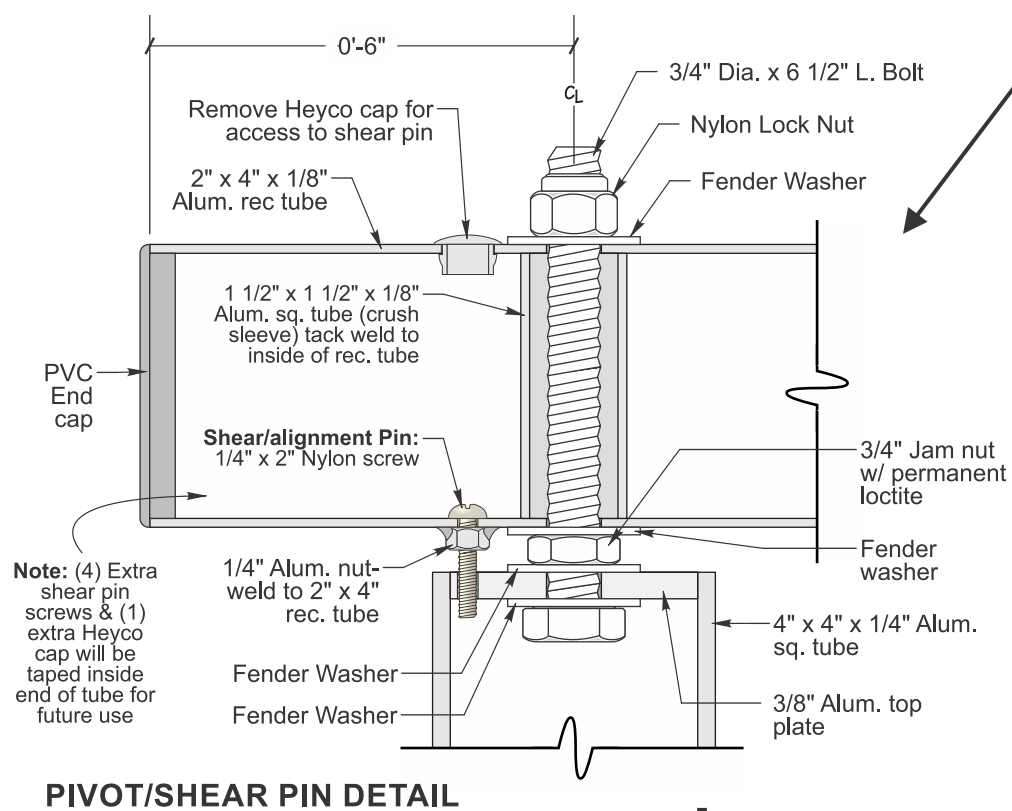
SIDE VIEW
SCALE: 3/8" = 1'-0"



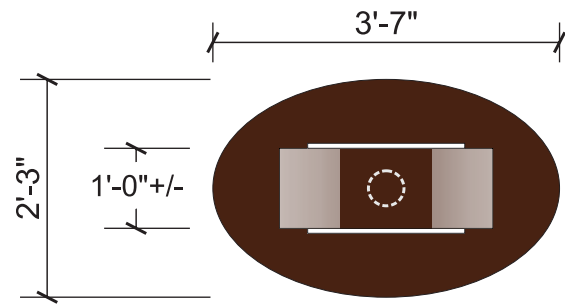
NOTES:
 REFERENCE DIMENSIONAL ARCHITECTURAL PLAN PRIOR TO STARTING FOUNDATION TO ENSURE PROPER DISTANCE FROM CURB LINE.

NOTES:
 EXACT FOOTING DIMENSIONS TO BE DETERMINED BY ENGINEER DRAWINGS

SIDE VIEW
SCALE: 3/8" = 1'-0"

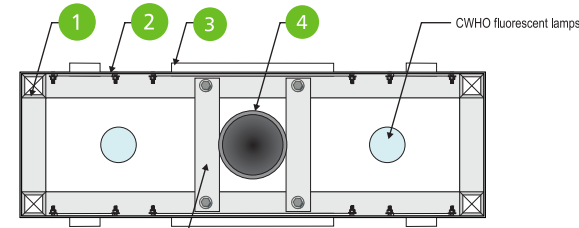


24.18 Sq. Ft.



Plan View

Scale: 1/2" = 1'-0"

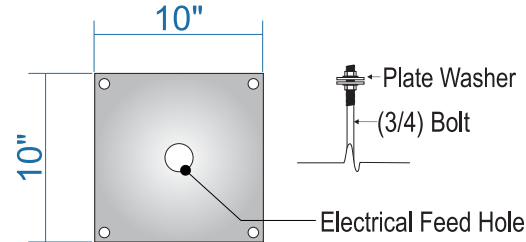


Plan View

Scale: N.T.S

PLATE DETAIL

Scale: 3/4"=1'



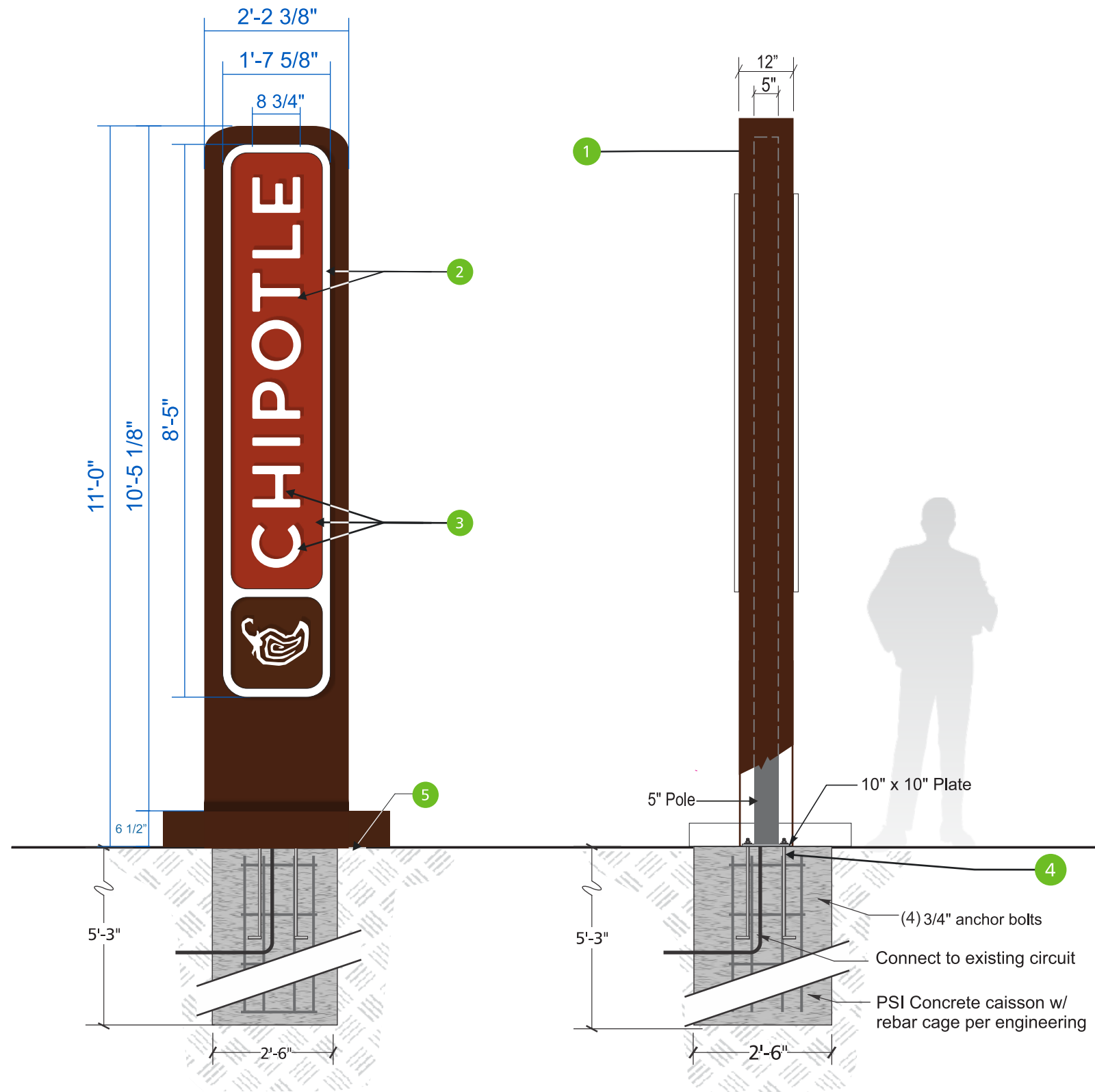
Color Key		
PMS#4625C Adobo Brown	PMS#484C Roasted Red	White Acrylic # 7328

V1 Overlay push thru faces & backs w/ translucent white film #3630-20

NOTE: Paint inside of cabinet M.A.P. white

NOTE: Paint all exposed fasteners to match adjacent finishes.

- 1** **FRAME**= D/F Custom fab. 2" alum. sq. tube (.125 wall) frame w/ C.A.M. cut 1/4" thk. alum. radius ends. Pipe saddles to be 1/4" thk. steel plates bolt to frame & weld to pass thru pipe.
FRAME RETURNS= .090" Thk. alum. w/ paint finish
- 2** **FACE TYPE**= .125" Thk. routed aluminum w/ paint finishes. Weld/versilok faces to frame.
- 3** **PUSH THRU**= 1" Thk. routed clear acrylic. Overlay faces & backs w/ translucent white film.
PUSH THRU MOUNTING= Letters to have 1/2"+/- wide x 0.125" thk. routed flanges. Weld studs to alum. face (2nd surface) around flange perimeter & secure to face w/ nuts & silicone.
ILLUMINATION= Lamp vertically w/ CWHO fluorescent lamps.
POWER OUT= 3/4" PVC electrical sweep out bottom of cab. w/ elbow 1'-6" below grade pointed toward electrical supply (by others). Leave 8'-0" pigtail wire inside cab. for sign hook up.
SWITCH LOCATION= Bottom right side return
SERVICE ACCESS= Frame returns to have access doors attach w/ countersunk fasteners (paint heads to match bkgd.).
- 4** **FOOTING**= Concrete w/ rebar cage as req.
10"x10" 1-1/2" thick plate
7/8" dia. holes for (4) 3/4" bolts
- 5** **BASE**= Custom fabricated alum. sq. tube frame cover on all sides w/ .090" thk. alum. w/ paint finish.



Monument Sign - Elevation

Scale: 3/8" = 1'-0"

Side View

Scale: 3/8" = 1'-0"