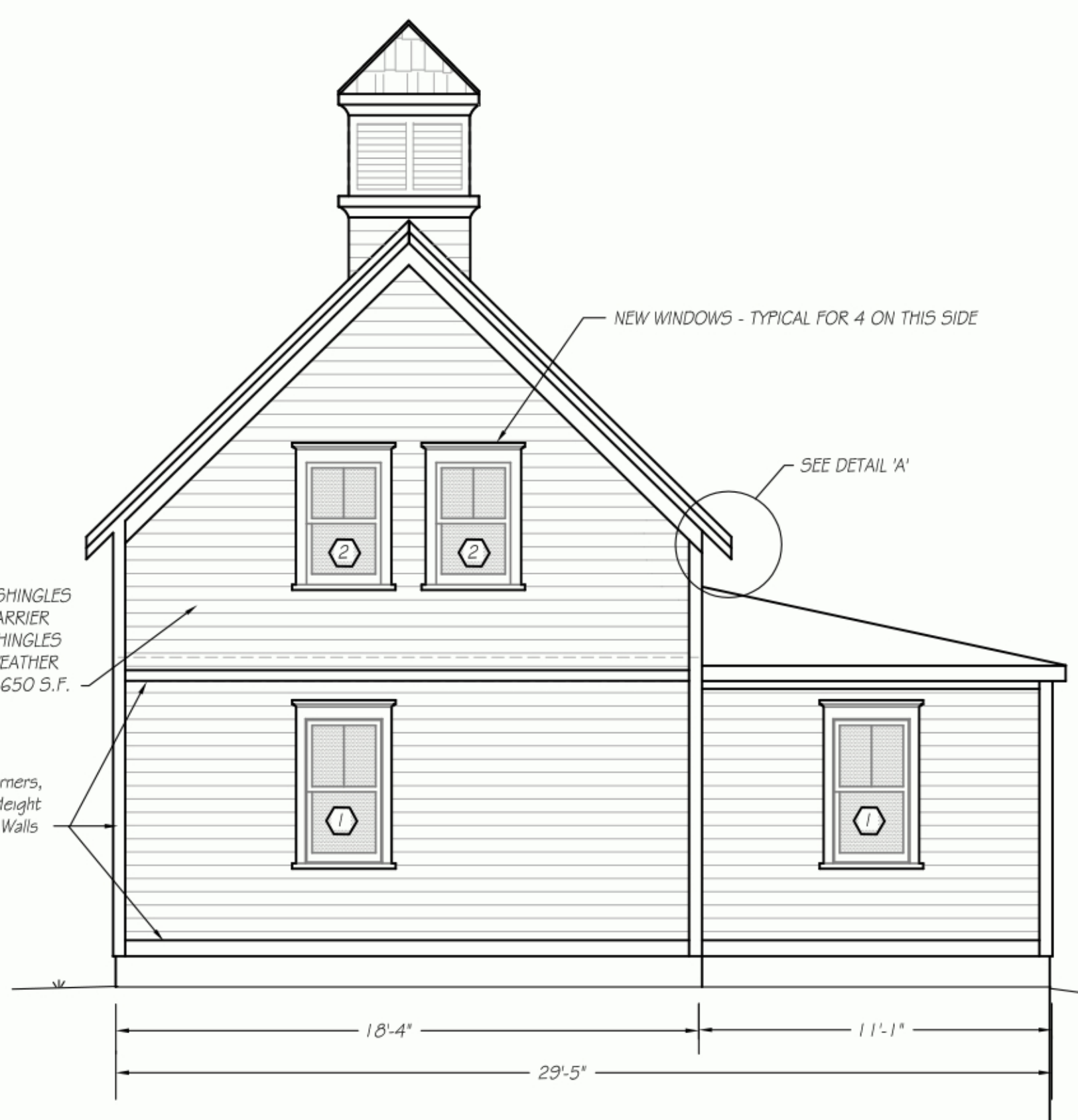
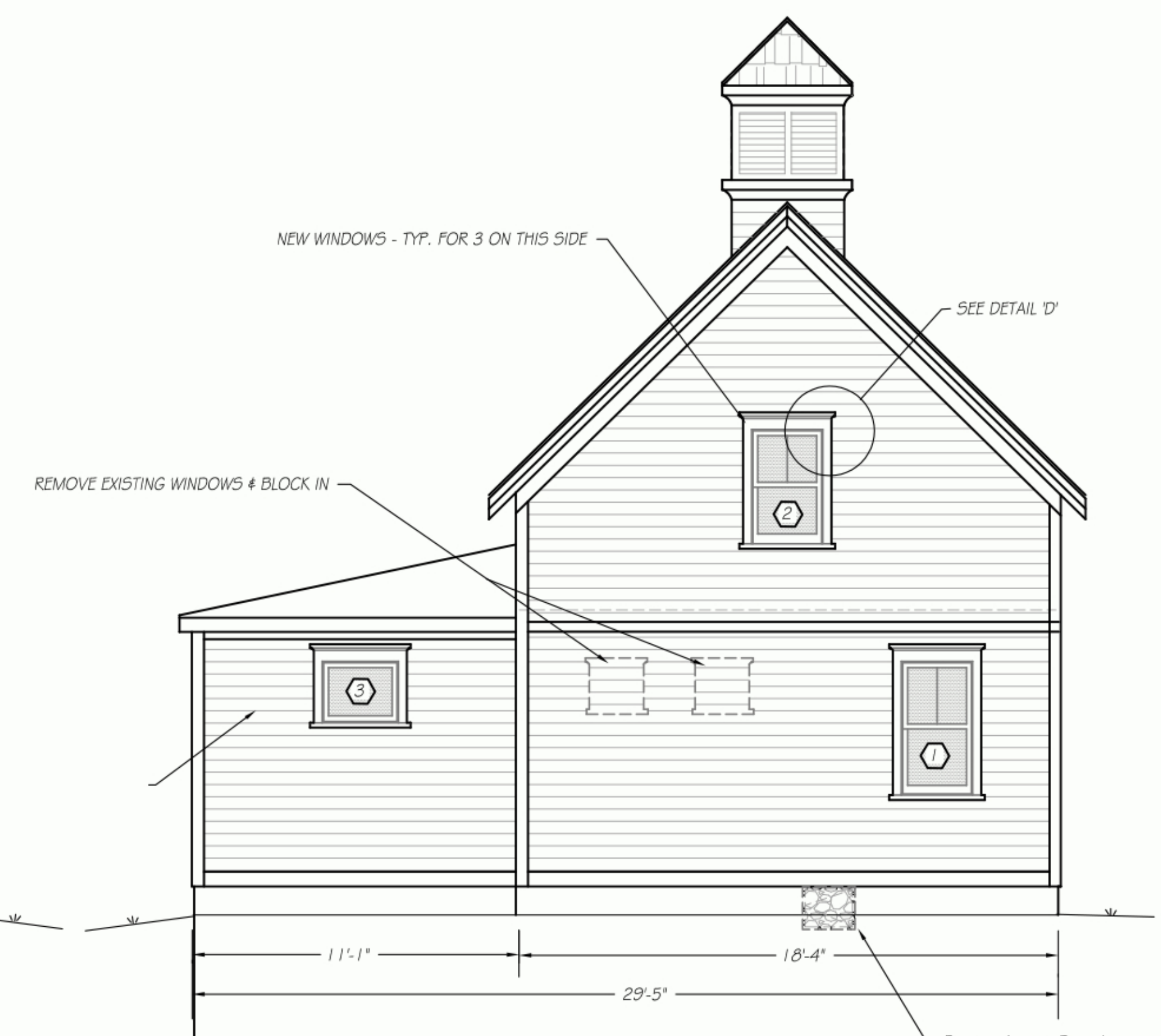


**FRONT ELEVATION - DOORS OPEN**  
1/4" = 1'-0"



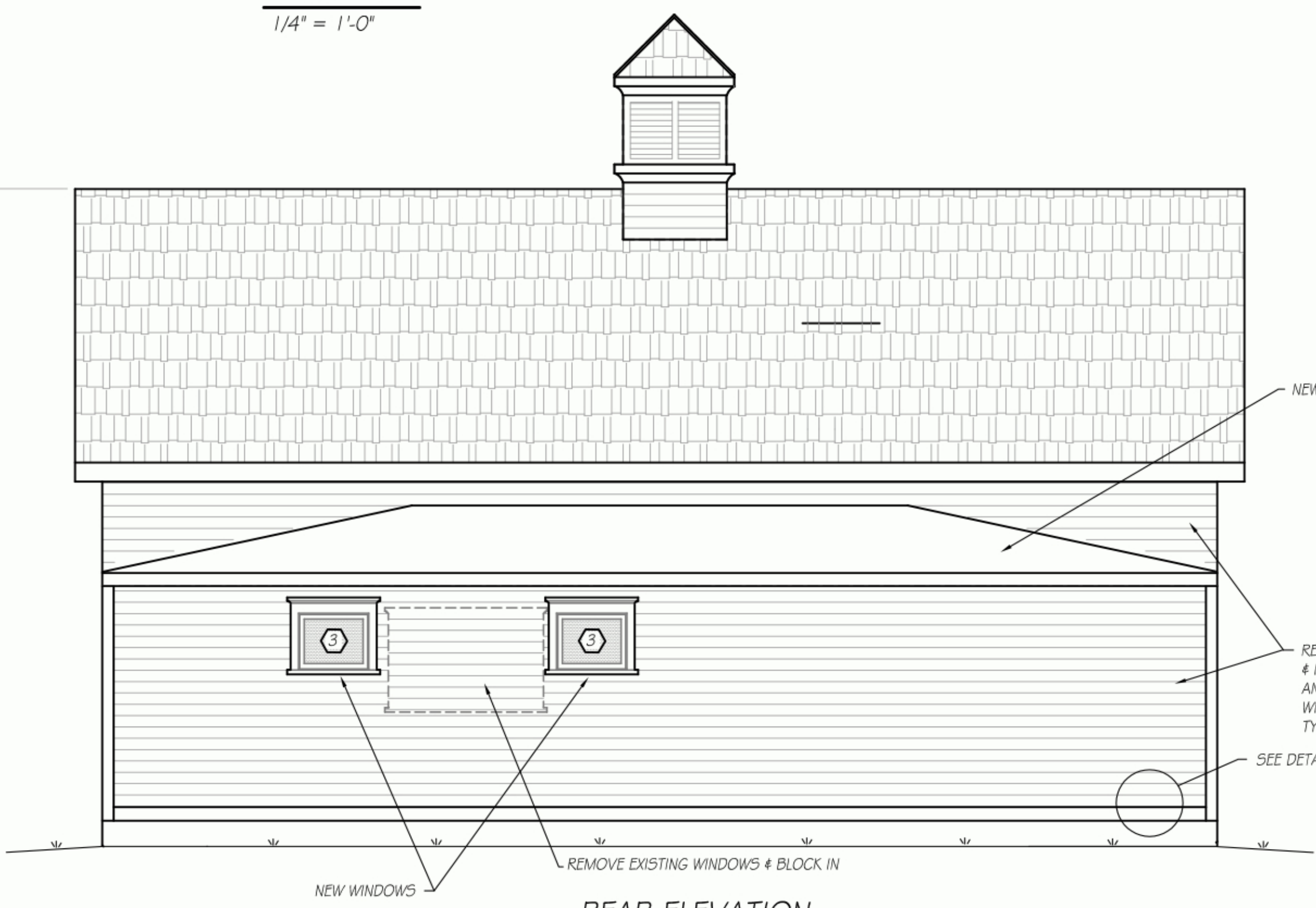
**RIGHT SIDE**  
1/4" = 1'-0"



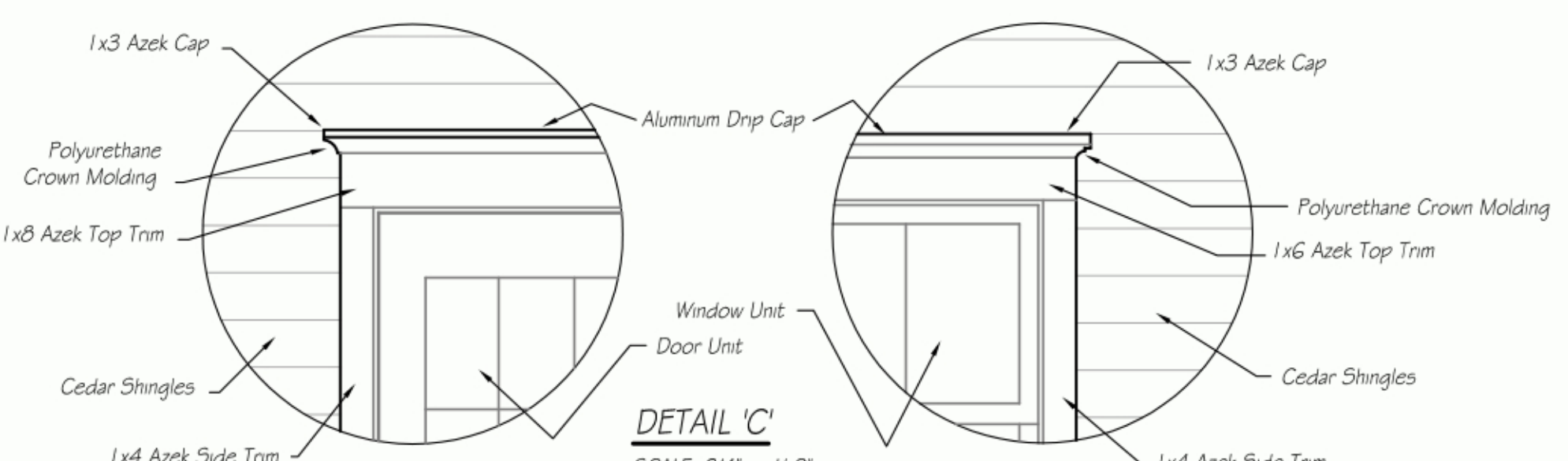
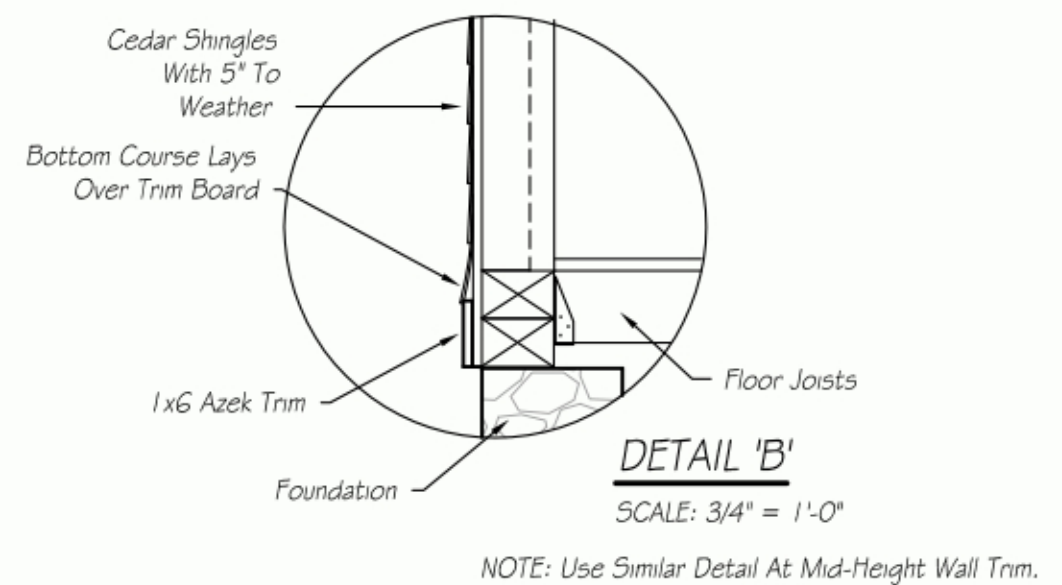
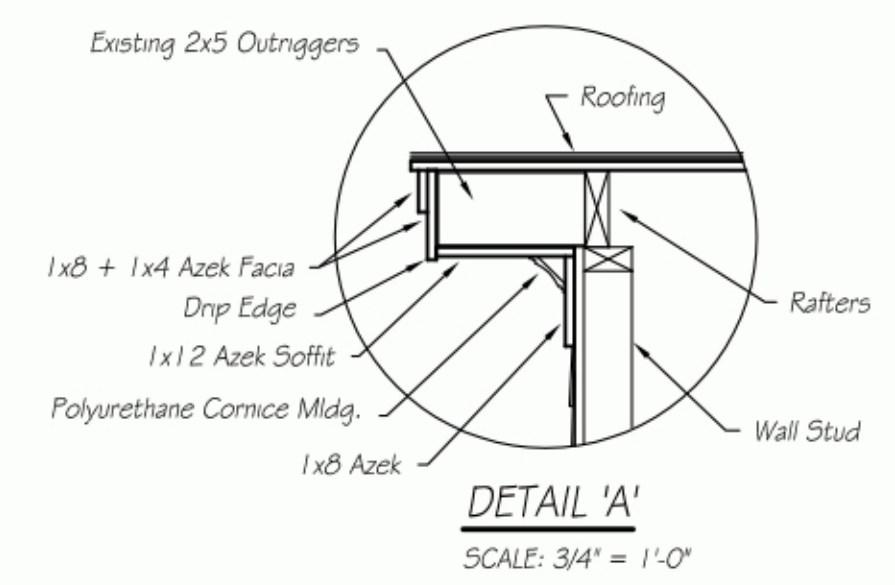
**LEFT SIDE**  
1/4" = 1'-0"



**FRONT ELEVATION - DOORS CLOSED**  
1/4" = 1'-0"



**REAR ELEVATION**  
1/4" = 1'-0"



**EXTERIOR RENOVATIONS**  
**WHITFIELD-MANJIRO HOUSE**  
**ACTIVITY & RECEPTION CENTER**  
**11 CHERRY STREET**  
**FAIRHAVEN, MASS.**

**CAI** Charon Associates, Inc.  
Consulting Engineers  
323 Neck Road - Rochester, MA 02770  
Tel: 508-763-8362 Fax: 508-763-9582

**SCALE:** AS NOTED  
**DATE:** FEBRUARY 11, 2021  
**DWG. NO. A-1.1**